

# Waterproof Bat Handle Toggle



## Features

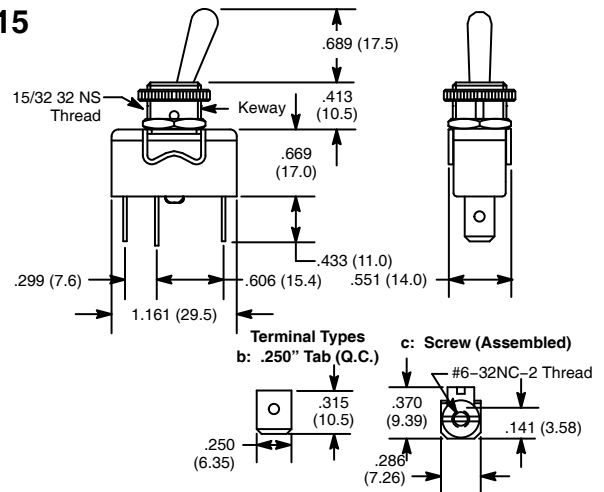
- Single Pole Types
- Waterproof: IP56
- Internal "O" Ring for Moisture and Dust Resistance
- .187" Quick Connect Terminals



NTE Type No.	Circuitry	Action			Actuator	Diag No.
54-348W	SPST	ON	NONE	OFF	Brass/Nickel Plate	S115b
54-349W	SPDT	ON	NONE	ON	Brass/Nickel Plate	S115b
54-350W	SPDT	ON	OFF	ON	Brass/Nickel Plate	S115b
54-352W	SPDT	(ON)	OFF	(ON)	Brass/Nickel Plate	S115b
54-354W	SPST	ON	NONE	OFF	Brass/Nickel Plate	S115c
54-355W	SPDT	ON	NONE	ON	Brass/Nickel Plate	S115c
54-356W	SPDT	ON	OFF	ON	Brass/Nickel Plate	S115c
54-358W	SPDT	(ON)	OFF	(ON)	Brass/Nickel Plate	S115c

SPECIAL NOTE: ( ) = Momentary Function

## S115



## Specifications

### Current Rating:

54-348W & 54-354W: 20A 277VAC, 1 HP

All Other Devices: 16A 277VAC, 1 HP

Insulation Resistance: 100 Megohms (min.) at 500VDC

Dielectric Strength: 1500V RMS (min.)

Temperature Rating: +32°F to +149°F (0°C to +65°C)

Electrical Life: 6,000 cycles

Mechanical Life: 10,000 cycles at full load

Terminal Type: Refer to Diag No. in Table

Mounting Hole: .472 (12.0)



# Waterproof Bat Handle Toggle

## Features

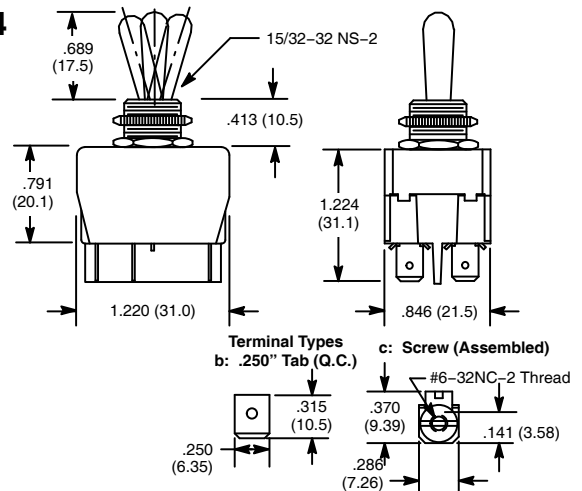
- Double Pole Types
- Waterproof: IP56
- Internal "O" Ring for Moisture and Dust Resistance
- .187" Quick Connect Terminals



NTE Type No.	Circuitry	Action			Actuator	Diag No.
54-360W	DPDT	ON	NONE	ON	Brass/Nickel Plate	S114b
54-361W	DPDT	ON	OFF	ON	Brass/Nickel Plate	S114b
54-364W	DPDT	(ON)	OFF	(ON)	Brass/Nickel Plate	S114b
54-366W	DPST	ON	NONE	OFF	Brass/Nickel Plate	S114b
54-367W	DPST	ON	NONE	OFF	Brass/Nickel Plate	S114c
54-369W	DPDT	ON	NONE	ON	Brass/Nickel Plate	S114c
54-370W	DPDT	ON	OFF	ON	Brass/Nickel Plate	S114c
54-373W	DPDT	(ON)	OFF	(ON)	Brass/Nickel Plate	S114c

SPECIAL NOTE: ( ) = Momentary Function

## S114



## Specifications

### Current Rating:

54-366W & 54-367W: 20A 277VAC, 1 HP

All Other Devices: 16A 277VAC, 1 HP

Insulation Resistance: 100 Megohms (min.) at 500VDC

Dielectric Strength: 1500V RMS (min.)

Temperature Rating: +32°F to +149°F (0°C to +65°C)

Electrical Life: 6,000 cycles

Mechanical Life: 10,000 cycles at full load

Terminal Type: Refer to Diag No. in Table

Mounting Hole: .472 (12.0)

# Waterproof Miniature Illuminated Rocker



## Features

- Single Pole
- Waterproof: IP65
- .187" Quick Connect Terminals



S110

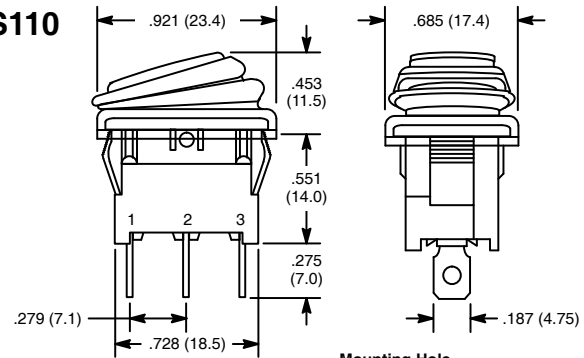


Table 1.

Panel Thickness	X
.030 (.750) - .059 (1.50)	.764 (19.40)
.059 (1.50) - .098 (2.50)	.780 (19.80)

Mounting Hole dimensions: .512 (13.0) diameter, X diameter hole.

NTE Type No.	Circuitry	Action			Actuator				Diag No.
					Material	Color		Vltg	
						Neon	LED		
54-200W	SPST	ON	NONE	OFF	PC	Red	-	AC	S110
54-201W	SPST	ON	NONE	OFF	PC	-	Red	DC	S110
54-202W*	SPDT	ON	NONE	ON	PC	Black		N/A	S110
54-203W	SPST	ON	NONE	OFF	PC	Green	-	AC	S110
54-204W	SPST	ON	NONE	OFF	PC	-	Green	DC	S110

\* Designates Non-Illuminated Type

## Specifications

**Current Rating:** 16A 125VAC 1/3 HP, 10A 250VAC 1/2 HP  
**Lens Color:** See Table  
**Lamp Voltage:** 110V Neon (AC) & 12V LED (DC)  
**Insulation Resistance:** 100 Megohms (min.) at 500VDC  
**Dielectric Strength:** 1000V RMS (min.)  
**Temperature Rating:** +32°F to +185°F (0°C to +85°C)  
**Electrical Life:** 10,000 cycles  
**Mechanical Life:** 50,000 cycles at full load  
**Terminal Type:** .187" Tab Q.C.  
**Mounting Hole:** See Table 1

# Waterproof Round Illuminated Rocker

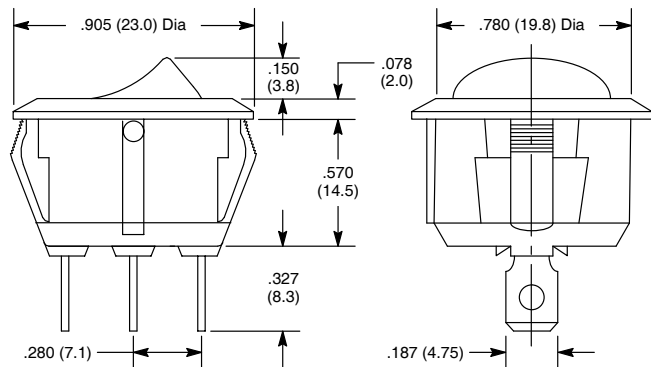


## Features

- Single Pole
- Waterproof: IP65
- .187" Quick Connect Terminals



S90



NTE Type No.	Circuitry	Action			Actuator				Diag No.
					Material	Color		Vltg	
						Neon	LED		
54-503W*	SPST	ON	NONE	OFF	Nylon	Black		N/A	S90
54-526W	SPST	ON	NONE	OFF	Nylon	Green	-	AC	S90
54-527W	SPST	ON	NONE	OFF	Nylon	-	Red	DC	S90
54-529W	SPST	ON	NONE	OFF	Nylon	-	Green	DC	S90
54-531W	SPST	ON	NONE	OFF	Nylon	Red	-	AC	S90

\* Designates Non-Illuminated Type

## Specifications

**Current Rating:** 16A 125VAC, 10A 250VAC  
**Lens Color:** See Table  
**Lamp Voltage:** 110V Neon (AC) & 12V LED (DC)  
**Insulation Resistance:** 100 Megohms (min.) at 500VDC  
**Dielectric Strength:** 1500V RMS (min.)  
**Temperature Rating:** +32°F to +185°F (0°C to +85°C)  
**Electrical Life:** 10,000 cycles  
**Mechanical Life:** 50,000 cycles at full load  
**Terminal Type:** .187" Tab Q.C.  
**Mounting Hole:** .795 (20.2)

# Waterproof Round Illuminated Rocker

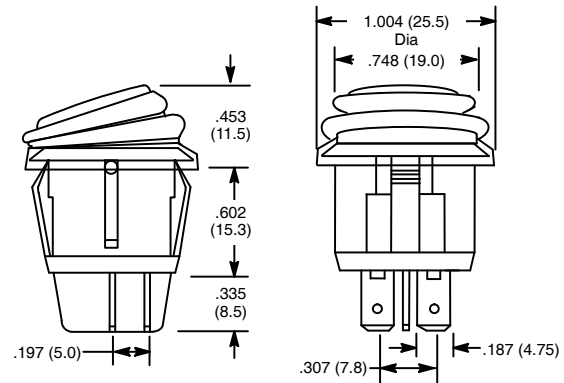


## Features

- Double Pole
- Waterproof: IP65
- .187" Quick Connect Terminals



## S111



## Specifications

**Current Rating:** 16A 125VAC, 10A 250VAC  
**Lens Color:** See Table  
**Lamp Voltage:** 110V Neon (AC) & 12V LED (DC)  
**Insulation Resistance:** 100 Megohms (min.) at 500VDC  
**Dielectric Strength:** 1500V RMS (min.)  
**Temperature Rating:** +32°F to +185°F (0°C to +85°C)  
**Electrical Life:** 10,000 cycles  
**Mechanical Life:** 50,000 cycles at full load  
**Terminal Type:** .187" Tab Q.C.  
**Mounting Hole:** .795 (20.2)

NTE Type No.	Circuitry	Action			Actuator				Diag No.
					Material	Color		Vltg	
						Neon	LED		
54-205W	DPST	ON	NONE	OFF	PC	Red	-	AC	S111
54-206W	DPST	ON	NONE	OFF	PC	-	Red	DC	S111
54-209W	DPDT	ON	NONE	OFF	PC	Green	-	AC	S111
54-210W	DPST	ON	NONE	OFF	PC	-	Green	DC	S111
54-211W*	DPST	ON	NONE	OFF	PC	-	Black	N/A	S111

\* Designates Non-Illuminated Type

# Waterproof Miniature Illuminated Rocker

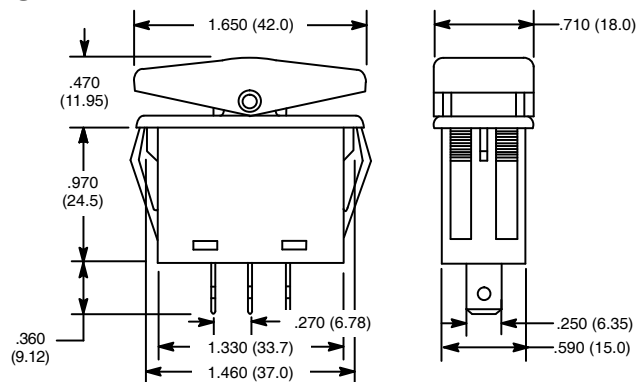


## Features

- Single Pole
- Waterproof: IP66
- .250" Quick Connect Terminals



## S112



## Specifications

**Current Rating:** 20A 125VAC 1/3 HP, 10A 250VAC 3/4 HP, 20A 14VAC, 10A 24VAC  
**Lens Color:** See Table  
**Lamp Voltage:** 110V Neon (AC) & 12V LED (DC)  
**Insulation Resistance:** 100 Megohms (min.) at 500VDC  
**Dielectric Strength:** 1500V RMS (min.)  
**Temperature Rating:** +32°F to +185°F (0°C to +85°C)  
**Electrical Life:** 10,000 cycles  
**Mechanical Life:** 50,000 cycles at full load  
**Terminal Type:** .250" Tab Q.C.  
**Mounting Hole:** 1.450 (36.8) x .600 (15.2)

NTE Type No.	Circuitry	Action			Actuator				Diag No.
					Material	Color		Vltg	
						Neon	LED		
54-215W	SPST	ON	NONE	OFF	PC	Red	-	AC	S112
54-216W	SPST	ON	NONE	OFF	PC	-	Red	DC	S112
54-219W	SPST	ON	NONE	OFF	PC	Green	-	AC	S112
54-220W	SPST	ON	NONE	OFF	PC	-	Green	DC	S112
54-221W*	SPST	ON	NONE	OFF	PC	-	Black	N/A	S112

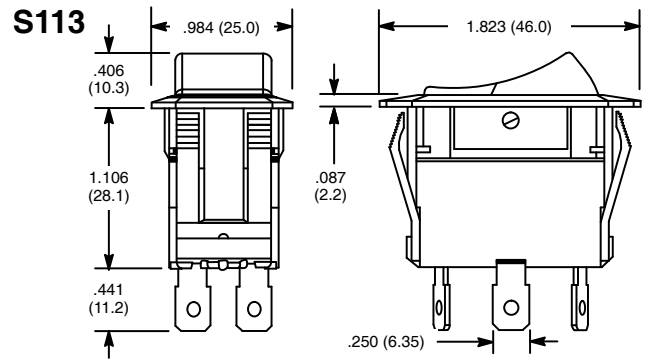
\* Designates Non-Illuminated Type

# Waterproof Illuminated Rocker



## Features

- Single and Double Pole
- Available in Single and Dual Color Types
- Waterproof: IP66
- .187" Quick Connect Terminals



Mounting Hole

Panel Thickness	Y
.030 (.750) - .049 (1.25)	1.441 (36.6)
.049 (1.25) - .079 (2.00)	1.449 (36.8)
.079 (2.00) - .118 (3.00)	1.457 (37.0)

Mounting Hole dimensions: .835 (21.2) width, Y height.

## Specifications

- Current Rating:** 20A 125VAC, 10A 250 VAC.  
12A 125 VAC 3/4 HP, 10A 277VAC 3/4 HP
- Lens Color:** See Table
- Lamp Voltage:** 110V Neon (AC) & 12V LED (DC)
- Insulation Resistance:** 100 Megohms (min.) at 500VDC
- Dielectric Strength:** 1500V RMS (min.)
- Temperature Rating:** +32°F to +149°F (0°C to +65°C)
- Electrical Life:** 10,000 cycles
- Mechanical Life:** 50,000 cycles at full load
- Terminal Type:** .187" Tab Q.C.
- Mounting Hole:** See Table 1

NTE Type No.	Circuitry	Action			Actuator				Diag No.
					Material	Color		Vltg	
						Neon	LED		
54-225W*	SPST	ON	NONE	OFF	PC	Black	-	N/A	S113
54-226W*	DPDT	ON	NONE	ON	PC	Black	-	N/A	S113
54-227W*	SPDT	ON	NONE	ON	PC	Black	-	N/A	S113
54-228W*	SPDT	ON	OFF	ON	PC	Black	-	N/A	S113
54-229W*	DPDT	ON	OFF	ON	PC	Black	-	N/A	S113
54-230W	SPST	ON	NONE	OFF	PC	Red	-	AC	S113
54-231W	SPST	ON	NONE	OFF	PC	-	Red	DC	S113
54-232W	SPST	ON	NONE	OFF	PC	Green	-	AC	S113
54-233W	SPST	ON	NONE	OFF	PC	-	Green	DC	S113
54-234W	SPST	ON	NONE	OFF	PC	Blue	-	AC	S113
54-235W	SPST	ON	NONE	OFF	PC	-	Blue	DC	S113
54-238W	SPDT	ON	NONE	ON	PC	-	-	AC	S113
54-239W	SPDT	ON	NONE	ON	PC	-	-	DC	S113
54-240W	SPDT	ON	OFF	ON	PC	-	-	AC	S113
54-241W	SPDT	ON	OFF	ON	PC	-	-	DC	S113
54-246W	SPDT	ON	NONE	ON	PC	Rd/Rd	-	AC	S113
54-247W	SPDT	ON	NONE	ON	PC	-	Rd/Rd	DC	S113
54-248W	SPDT	ON	OFF	ON	PC	Rd/Rd	-	AC	S113
54-249W	SPDT	ON	OFF	ON	PC	-	Rd/Rd	DC	S113

\* Designates Non-Illuminated Type