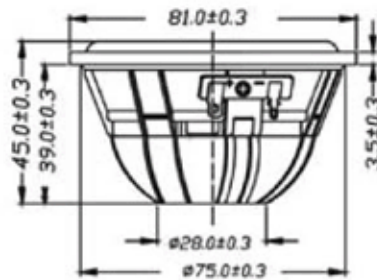
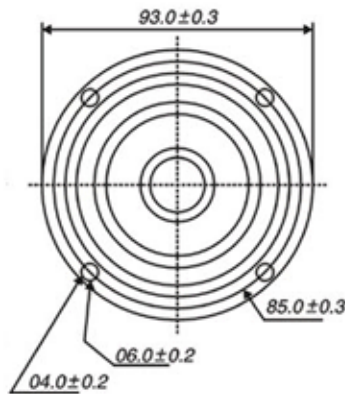


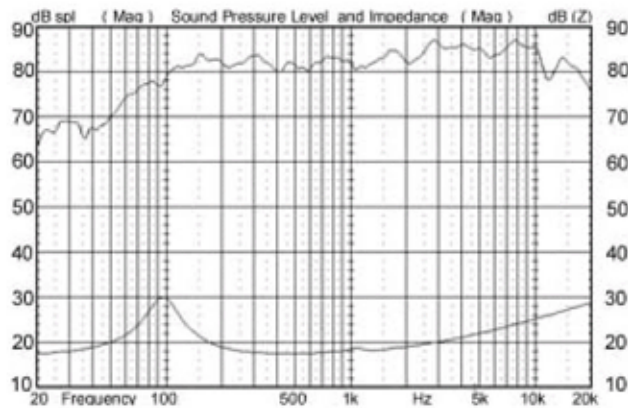
# F SERIES

# W3-881S



- NEODYMIUM MAGNET DESIGN
- HIGH POWER LOADING DESIGN
- FULL RANGE FREQUENCY RESPONSE
- DIE CAST BASKET
- PPM CONE WITH SANTOPRENE SURROUND
- MAGNETICALLY SHIELDED

## 3" NEODYMIUM MID-RANGE / FULL RANGE



DIAPHRAGM MTL	PPM Natural color
SURROUND MTL	Santoprene
NOMINAL IMPEDANCE	8 Ω
DCR IMPEDANCE	6.6 Ω
SENSITIVITY 1W/1m	86 dB
FREQUENCY RESPONSE	100 - 20K Hz
FREE AIR RESONANCE	100 Hz
VOICE COIL DIAMETER	20 mm
AIR GAP HEIGHT	6 mm
RATED POWER INPUT	15 W
MAXIMUM POWER INPUT	30 W
FORCE FACTOR, BL	2.9 TM
MAGNET WEIGHT (0.4 oz)	Neodymium
MOVING MASS	1.6 g
FERRO FLUID ENHANCED	No
SUSPENSION COMPL.	1306 MN <sup>-1</sup>
EFFEC. PISTON AREA	0.0032 m <sup>2</sup>
X-max	0.5 mm
Vas	2.2 Litr
Qts	0.63
Qms	3.07
Qes	0.80

**TB** SPEAKERS

P.O. BOX 10-53 NEI HU, TAIPEI, TAIWAN  
VOICE 886 2 26570282 FAX 886 2 26560166