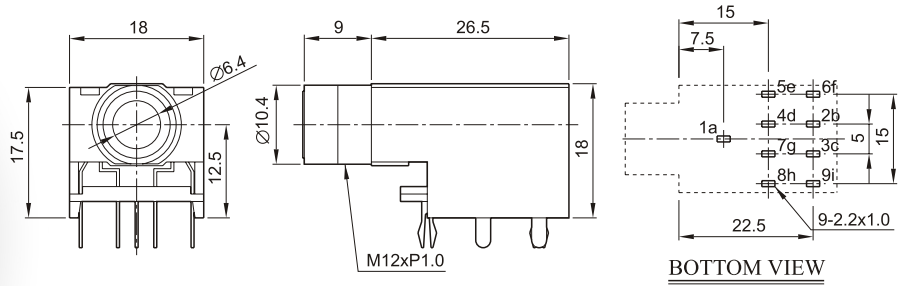
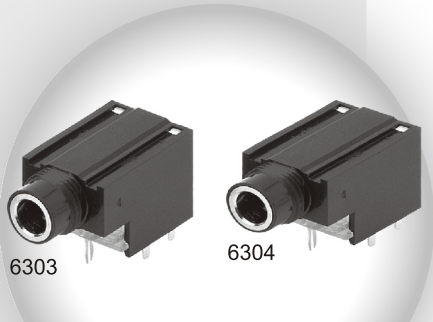


6.4Ø PHONE JACK

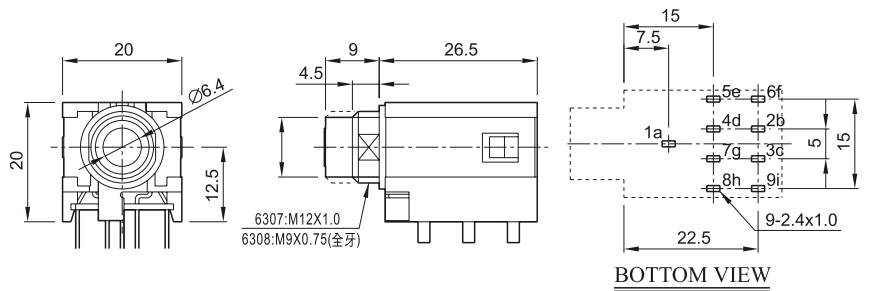
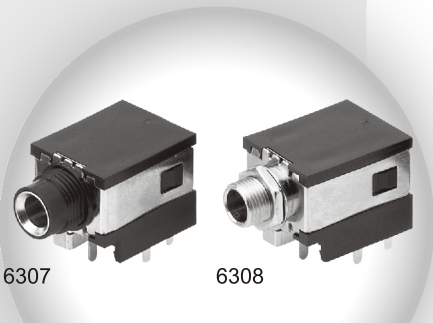
6.4Ø PHONE JACK

JY-6303 & 6304



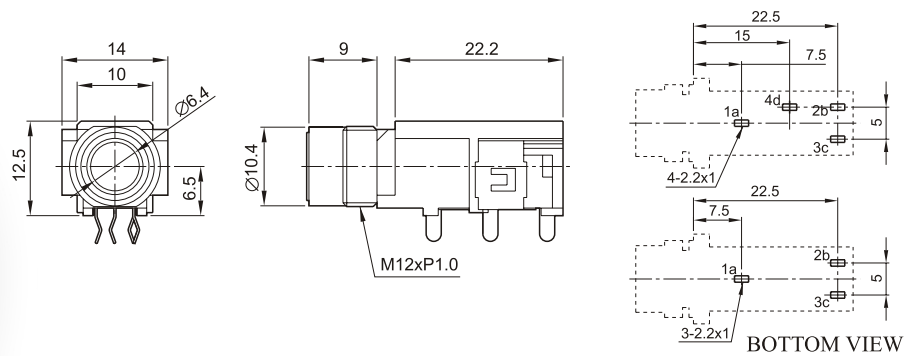
| MODEL NO. | JY-6303*01-020 | JY-6303*01-030 | JY-6303*01-130 | JY-6303*01-040 | JY-6303*01-050 | JY-6303*01-060 | JY-6303*01-070 | JY-6303*01-170 | JY-6303*01-080 | JY-6303*01-090 |
|-----------|----------------|----------------|----------------|----------------|----------------|----------------|----------------|----------------|----------------|----------------|
| | JY-6304*01-020 | JY-6304*01-030 | JY-6304*01-130 | JY-6304*01-040 | JY-6304*01-050 | JY-6304*01-060 | JY-6304*01-070 | JY-6304*01-170 | JY-6304*01-080 | JY-6304*01-090 |
| SCHEMATIC | | | | | | | | | | |

JY6307 & 6308



| MODEL NO. | JY-6307*01-020 | JY-6307*01-030 | JY-6307*01-040 | JY-6307*01-050 | JY-6307*01-150 | JY-6307*01-550 | JY-6307*01-060 | JY-6307*01-070 | JY-6307*01-090 |
|-----------|----------------|----------------|----------------|----------------|----------------|----------------|----------------|----------------|----------------|
| | JY-6308*01-020 | JY-6308*01-030 | JY-6308*01-040 | JY-6308*01-050 | JY-6308*01-150 | JY-6308*01-550 | JY-6308*01-060 | JY-6308*01-070 | JY-6308*01-090 |
| SCHEMATIC | | | | | | | | | |

JY-6313 & 6314

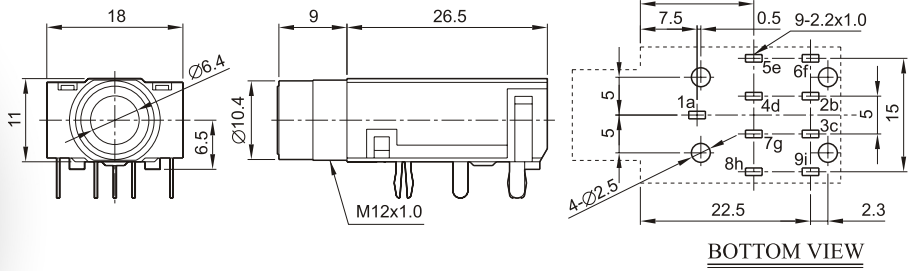
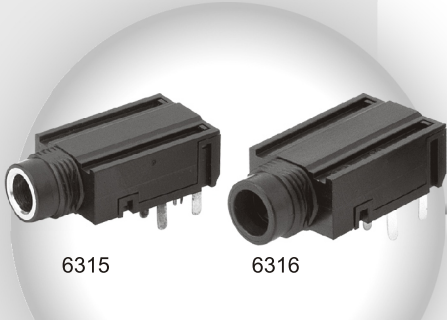


| MODEL NO. | JY-6313*01-020 | JY-6313*01-030 | JY-6313*01-130 | JY-6313*01-340 |
|-----------|----------------|----------------|----------------|----------------|
| | JY-6314*01-020 | JY-6314*01-030 | JY-6314*01-130 | JY-6314*01-340 |
| SCHEMATIC | | | | |

6.4Ø PHONE JACK

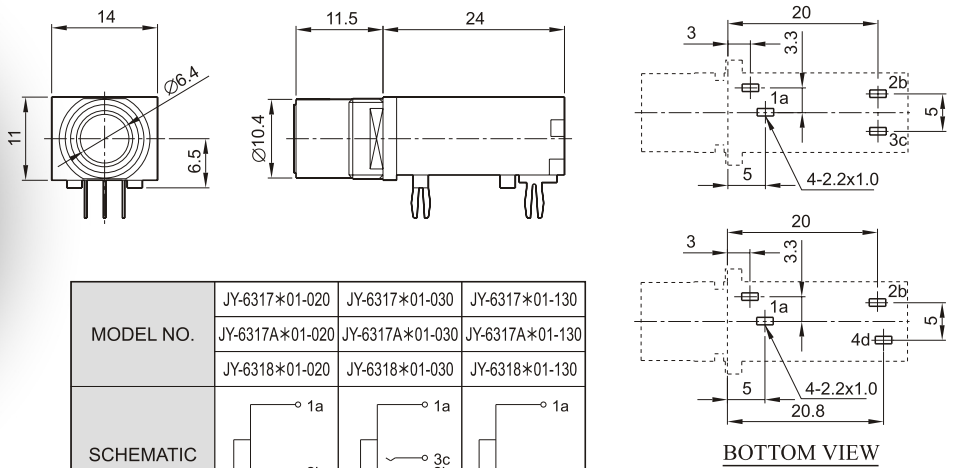
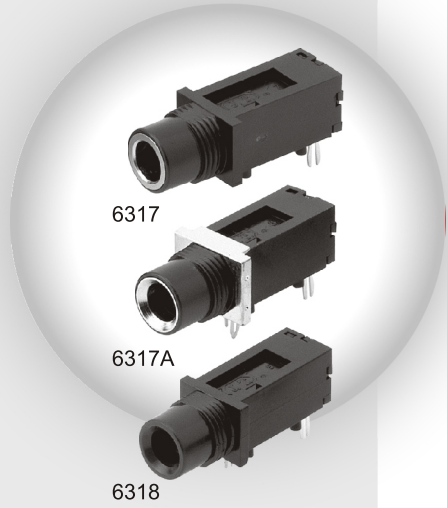
6.4Ø PHONE JACK

JY-6315 & 6316



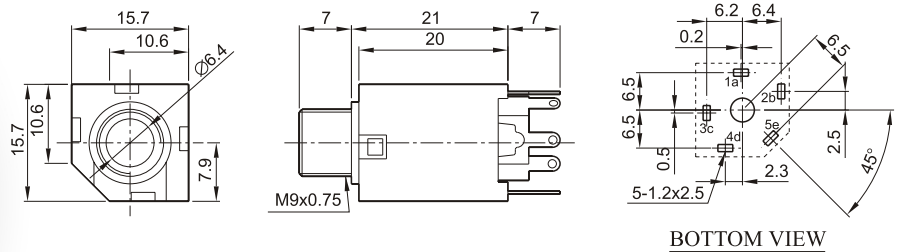
| MODEL NO. | JY-6315*01-020 | JY-6315*01-030 | JY-6315*01-040 | JY-6315*01-050 | | JY-6315*01-060 | JY-6315*01-160 | JY-6315*01-070 | JY-6315*01-090 |
|-----------|----------------|----------------|----------------|----------------|----------------|----------------|----------------|----------------|----------------|
| | JY-6316*01-020 | JY-6316*01-030 | JY-6316*01-040 | JY-6316*01-050 | JY-6316*01-350 | JY-6316*01-060 | JY-6316*01-160 | JY-6316*01-070 | JY-6316*01-090 |
| SCHEMATIC | | | | | | | | | |

JY-6317 & 6318



| MODEL NO. | JY-6317*01-020 | JY-6317*01-030 | JY-6317*01-130 |
|-----------|-----------------|-----------------|-----------------|
| | JY-6317A*01-020 | JY-6317A*01-030 | JY-6317A*01-130 |
| | JY-6318*01-020 | JY-6318*01-030 | JY-6318*01-130 |
| SCHEMATIC | | | |

JY-6351

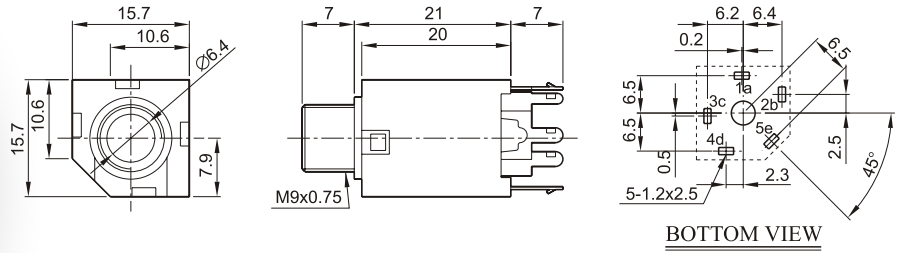
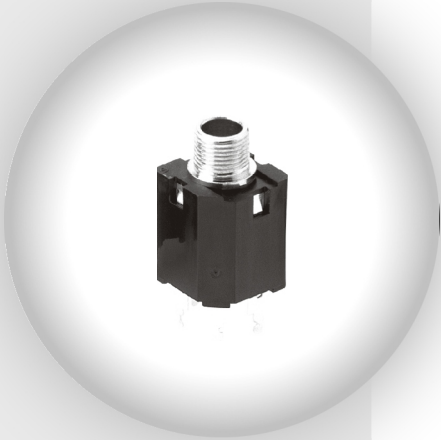


| MODEL NO. | JY-6351*01-020 | JY-6351*01-030 | JY-6351*01-130 | JY-6351*01-140 | JY-6351*01-340 | JY-6351*01-250 |
|-----------|----------------|----------------|----------------|----------------|----------------|----------------|
| SCHEMATIC | | | | | | |

6.4Ø PHONE JACK

6.4Ø PHONE JACK

JY-6353



BOTTOM VIEW

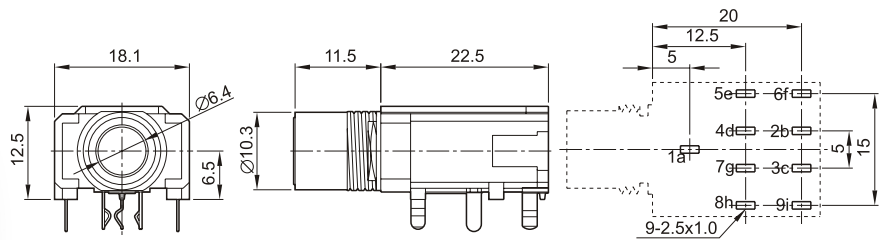
| MODEL NO. | JY-6353*01-020 | JY-6353*01-030 | JY-6353*01-130 | JY-6353*01-140 | JY-6353*01-340 | JY-6353*01-250 |
|-----------|----------------|----------------|----------------|----------------|----------------|----------------|
| SCHEMATIC | | | | | | |

JY-6354 & 6355



6354

6355



BOTTOM VIEW

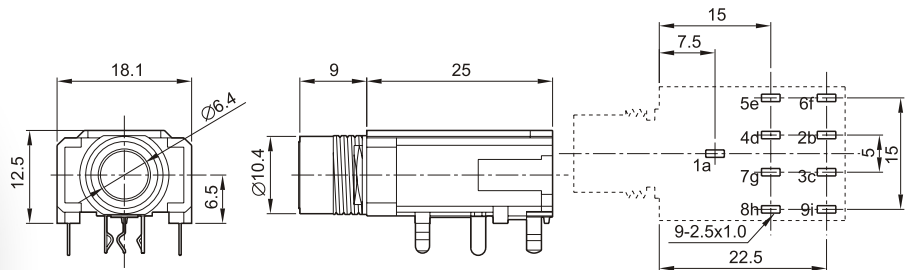
| MODEL NO. | JY-6354*01-020 | JY-6354*01-030 | JY-6354*01-040 | JY-6354*01-050 | JY-6354*01-350 | JY-6354*01-060 | JY-6354*01-160 | JY-6354*01-070 | JY-6354*01-090 |
|-----------|----------------|----------------|----------------|----------------|----------------|----------------|----------------|----------------|----------------|
| | JY-6355*01-020 | JY-6355*01-030 | JY-6355*01-040 | JY-6355*01-050 | JY-6355*01-350 | JY-6355*01-060 | JY-6355*01-160 | JY-6355*01-070 | JY-6355*01-090 |
| SCHEMATIC | | | | | | | | | |

JY-6359 & 6360



6359

6360



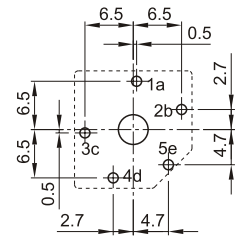
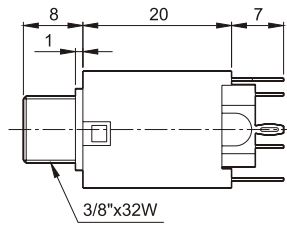
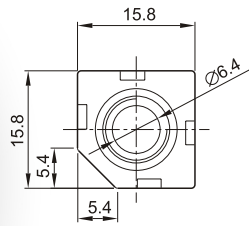
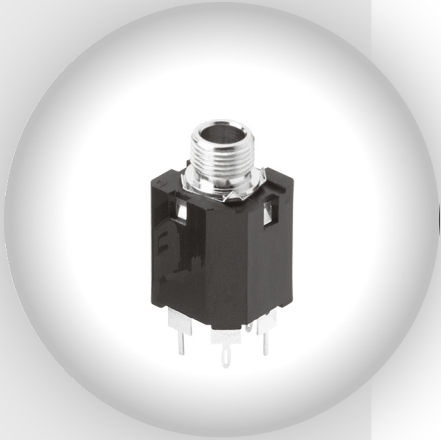
BOTTOM VIEW

| MODEL NO. | JY-6359*01-020 | JY-6359*01-030 | JY-6359*01-040 | JY-6359*01-050 | JY-6359*01-350 | JY-6359*01-060 | JY-6359*01-160 | JY-6359*01-070 | JY-6359*01-090 |
|-----------|----------------|----------------|----------------|----------------|----------------|----------------|----------------|----------------|----------------|
| | JY-6360*01-020 | JY-6360*01-030 | JY-6360*01-040 | JY-6360*01-050 | JY-6360*01-350 | JY-6360*01-060 | JY-6360*01-160 | JY-6360*01-070 | JY-6360*01-090 |
| SCHEMATIC | | | | | | | | | |

6.4Ø PHONE JACK

6.4Ø PHONE JACK

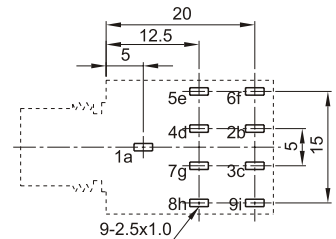
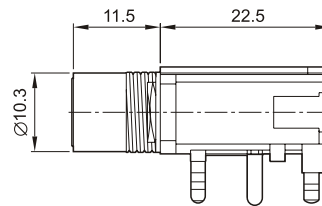
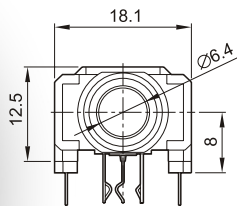
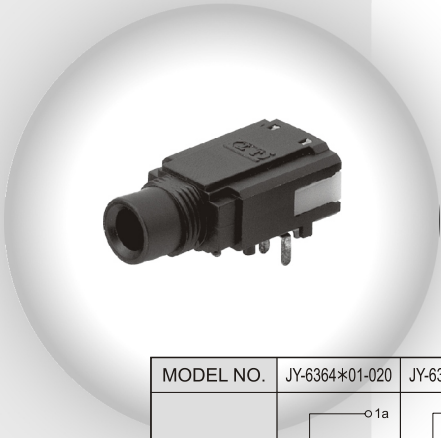
JY-6362



BOTTOM VIEW

| MODEL NO. | JY-6362*01-020 | JY-6362*01-030 | JY-6362*01-130 | JY-6362*01-140 | JY-6362*01-340 | JY-6362*01-250 |
|-----------|----------------|----------------|----------------|----------------|----------------|----------------|
| SCHEMATIC | | | | | | |

JY-6364



BOTTOM VIEW

| MODEL NO. | JY-6364*01-020 | JY-6364*01-030 | JY-6364*01-040 | JY-6364*01-050 | JY-6364*01-350 | JY-6364*01-060 | JY-6364*01-160 | JY-6364*01-070 | JY-6364*01-090 |
|-----------|----------------|----------------|----------------|----------------|----------------|----------------|----------------|----------------|----------------|
| SCHEMATIC | | | | | | | | | |