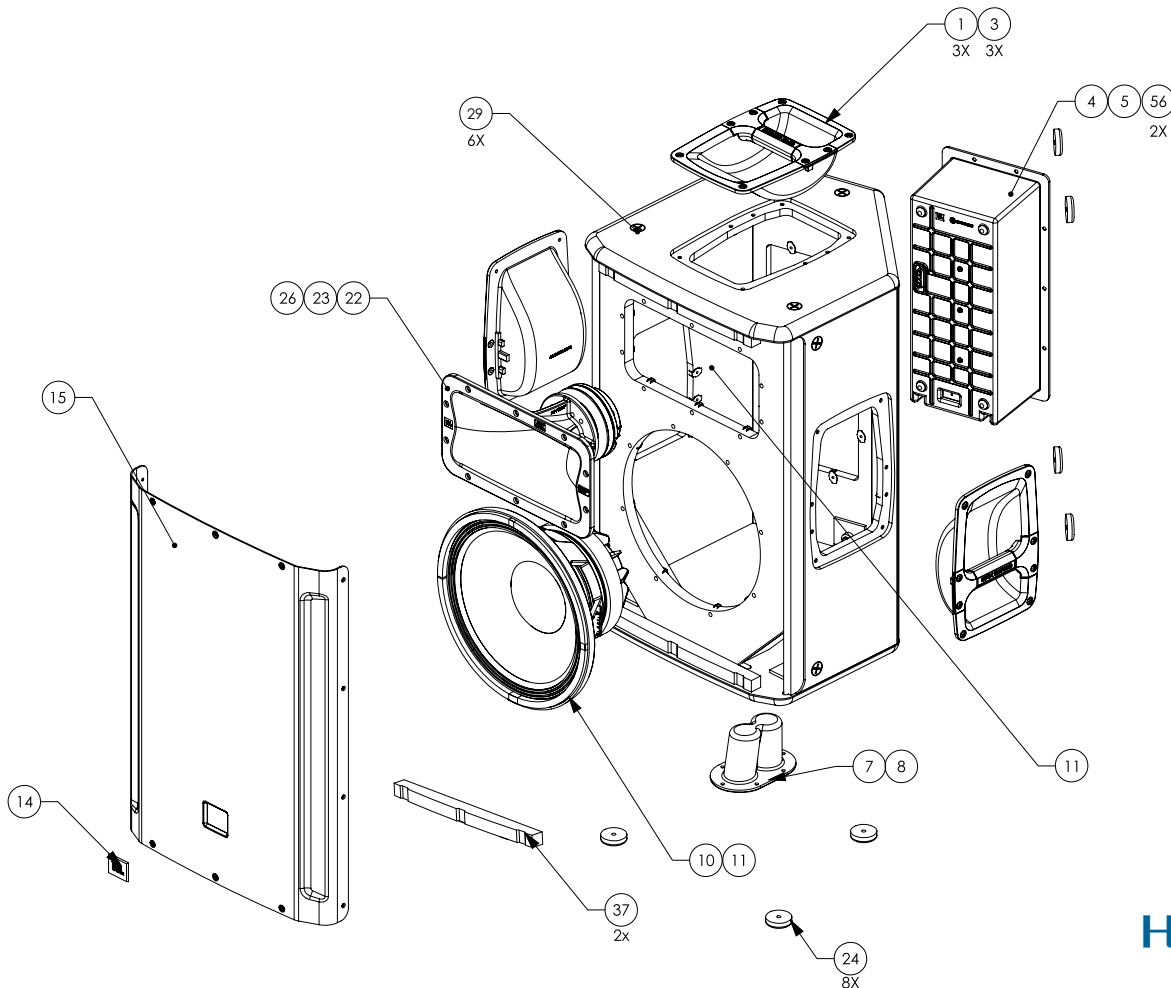


## 12" Two-Way Bass Reflex Self-Powered System



Spare Parts List - System			
Ref ID	P/N	Description	Qty
1	5048154	HANDLE CUP ASSY SRX800P	3
3	5048939	GASKET HANDLE	3
4	5069591X	SRX812P AMPLIFIER GSRX2F PROGRAMMED	1
5	5054339	WIRING HARNESS, SRX812P	1
7	351256-001	CUP, DUAL POLE, VRX/JRX	1
8	352957-001	GASKET, DUAL POLE CUP, VRX/JRX	1
10	5044726X	M/I, 2272F WOOFER	1
11	339391-001	GASKET, 12" WOOFER, AE	1
14	5056661	LOGO SRX800, EON615	1
15	5047872	SRX812MP GRILL ASSY	1
22	365512-001X	M/I, 2432H HIGH FREQUENCY DRIVER	1
23	351577-001	GASKET, 6.5 X 12 WAVEGUIDE AE	1
26	5006815	HORN, 90 X 50	1
27	353445-001	FOOT, SRX	8
29	381-00023-01	MOUNTING SUPPORT, 90 DEGREES 2X M10	6
37	5053878	GRILLE SUPPORT, SRX812P	2
56	5057024	AMP GASKET, SRX800, 3M 9828 ADHESIVE	2
	C2R2272	CONE KIT, 2272F	

Power Cords		
P/N	Description	V
5054101	LINE CORD, LATCHING IEC, DOMESTIC, SRX828SP	110
5055626	LINE CORD, LATCHING IEC, 230V	230



Spare Parts List - Amplifier			
Ref ID	P/N	Description	Qty
2	5044123-05	PCB,ASY,POWERED_SPEAKERS_PM2,AV1	1
	5054041	CKT PROT,N,FUSE,10A,250V,5X20mm	1
	5057699	CKT PROT,N,FUSE,5A,125V,8.89MMLX-4.67MMW	1
	5047019	MECHASY,PHT,SRX HTSK,2 CHS	1
	5028417	XFMR,CURRENT SENSE DUAL PRIMARY	1
	5046528	XFMR,PWR,30W FORWARD CONV	1
	142481-1	XFMR, SIG GATE DRV 1:1:1 UL TUV TH	2
	5046944	XFMR,PWR,MAIN,POWERED SPKR	1
5	5048302	HDW,BRKT,FAN,SRX	1
6	5045873-02	PCB,ASY,POWERED_SPEAKER_EMI_FILTER,AV1	1
	5048675	CON,PWR,CRD,AC,V-LOCK C14 PCB MOUNT INLT	1
7	5048036	HDW,INSUL,GSKT,SRX,DRIVER CON	1
8	5027046	THRM MGT,FAN,60X60X20,24V,25.4CFM	1
10	5046205	HDW,CBL,FFC,58P,195mm	1
11	5054151	HDW,BRKT,SRX,CAPS,BUY	1
12	5050150	HDW,INSUL,SRX CAPS	1
16	5050151	HDW,FT,SRX,SORB	2

Spare Parts List - Amplifier Rear Panel			
Ref ID	P/N	Description	Qty
3	5048304	MECHASY,SRX REAR PNL	1
	5025730	OPTO,DSPL,LCD,128X64,FST-N,BLK,NEG,SERIAL	1
	5044207-04	PCB,ASY,Input,Full,AV1	1
	140422-1	XFMR, ETHERNET M-DIX SMT	1
	141850-1	SW, 1P1T PB 250V 50MA SM VRT	2
	5025598	SW,ENCDR,20DNT,ROT,SW,13mm,D-SHFT,VERT	3
	5039565	CON,XLR,M,3P,PLASTIC,TH,VERT	3
	5045718	CON,XLR,VERT,AuCoAg,FEM,COM-BO	2
	5047620-02	PCB,ASY,ETHERCON,AV1	1
	5047651	HDW,SWCAP,VERT,RND,BLACK,20MM HT,2.4MM SQ MT	1
	5047664	HDW,SWCAP,VERT,RECT,BLACK,20MM HT,2.4MM SQ MT	1
	5047669	HDW,KNOB,ENCODER,RND,22.9MM HT,D SHAFT MT,SOFT TOUCH	3
	5047671	HDW,LTPP,SINGLE SMT LED,DOME,26MM HT	3
	5081337	LBL,PRNT,SRX,FULL RANGE	1

