

# Technical Manual



# JBL EON612

## SPECIFICATIONS

### ACOUSTIC & ELECTRICAL SPECIFICATIONS:

- Frequency Response ( $\pm 3$  dB): 57 Hz - 20 kHz
- Frequency Range (-10 dB): 48 Hz - 20 kHz
- Maximum SPL Output: 126 dB
- Power Rating: 1000W Peak (700W LF + 300W HF), 500W Continuous (350W LF + 150W HF)

### SYSTEM COMPONENTS:

- Cabinet: Enclosure (Not For Sale)
- Grille: 5042110
- Low Frequency Driver: 612H 12 inch (305 mm) woofer
- D.C. Resistance: 5.51 ohm +/- 10%

### SYSTEM COMPONENTS: (CONT'D)

- High Frequency Driver: 2414H-1, 25.4 mm (1 in) polymer diaphragm, neodymium compression driver
- D.C. Resistance: 3.60 ohm  $\pm 0.2\%$

### AURAL SWEEP TEST SPECIFICATIONS:

- A. System Aural Sweep Test: 0.065V input, 50 Hz to 10 kHz
- B. L.F. Aural Sweep Test: 2.5V Input, 20 Hz to 1 kHz
- C. H.F. Aural Sweep Test: 0.75V Input, 500 Hz to 1.5 kHz

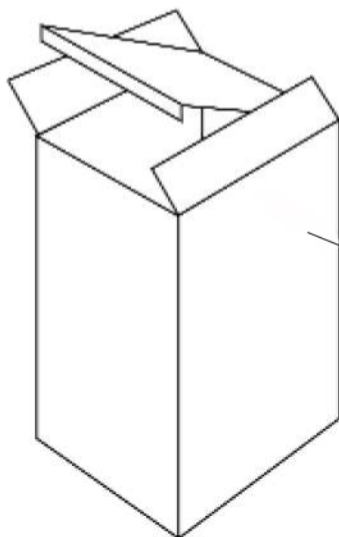
### PHYSICAL SPECIFICATIONS:

- Enclosure Dimensions: 664 x 380 x 316 mm (H x W x D) (26.14 x 14.96 x 12.44 in.)
- Net Weight: 14.96 kg (33 lbs)

### WARRANTY INFORMATION:

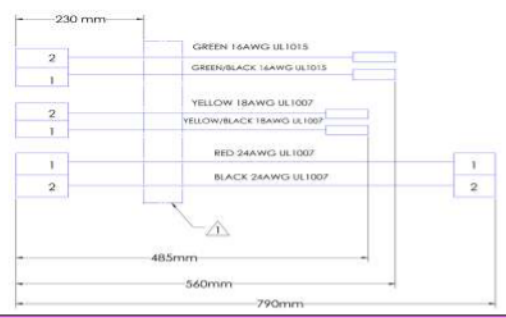
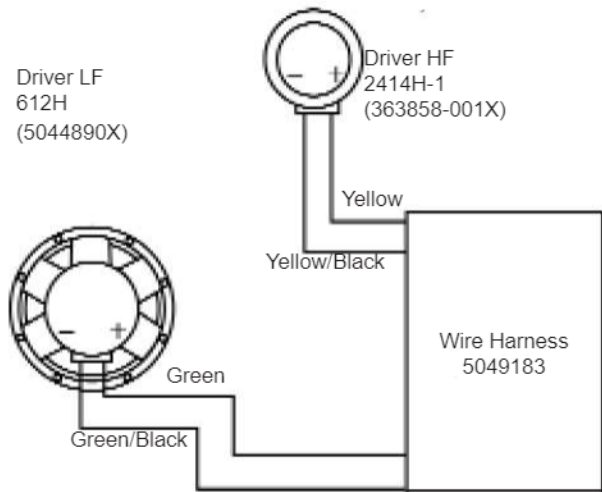
- Refer to Warranty Statement packed with each product.

## PACKAGE



- Quick Start Guide 5050217
- Shipping Carton 5046351
- Filler (2) 5046355
- Inner Beauty Carton 5046349
- Cord, AC, Line 425-00000-00 (120V) 425-00000-01 (230V)

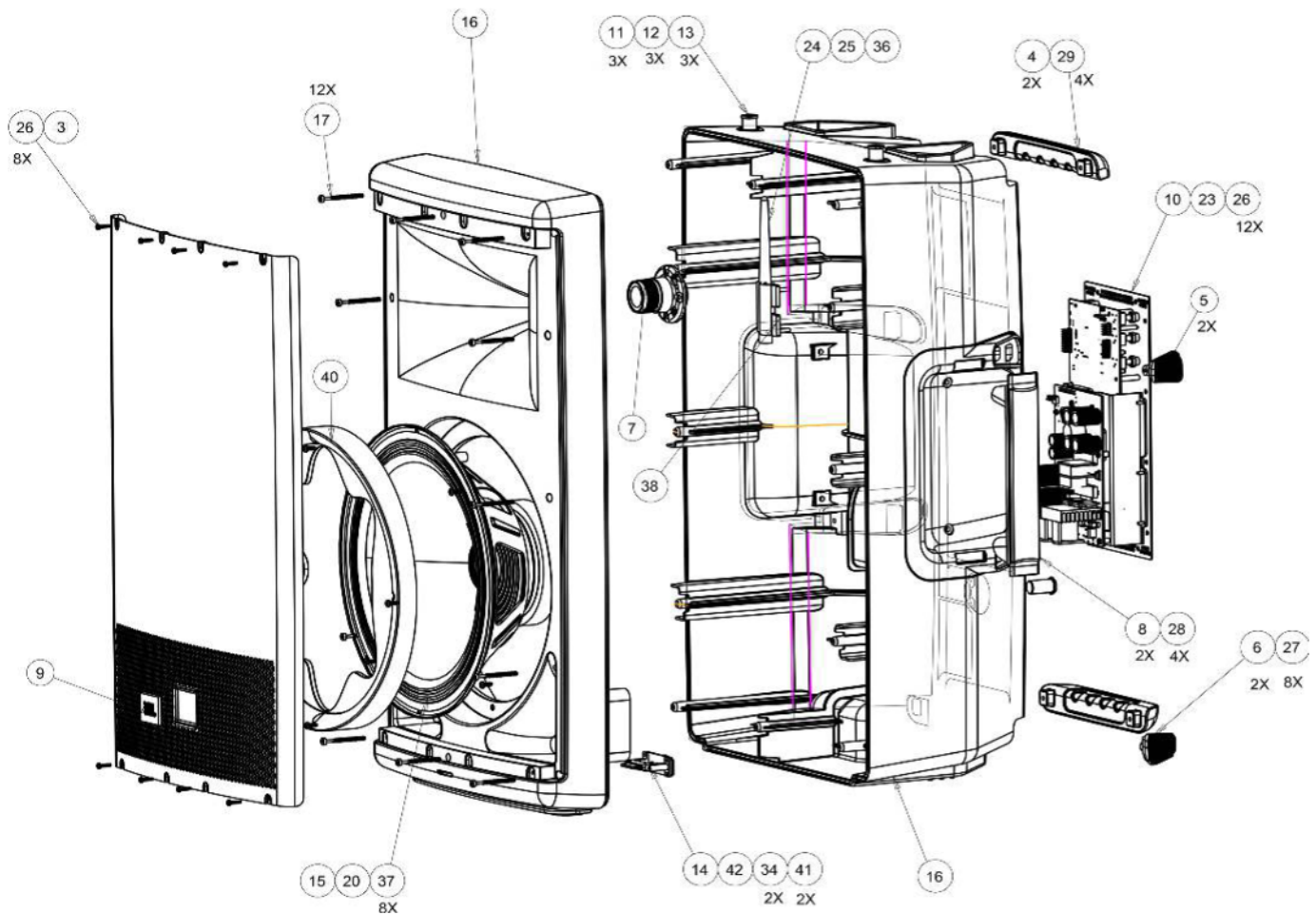
## WIRING DIAGRAM



JBL EON612 REV A

# JBL EON612

## COMPONENT EXPLODED VIEW



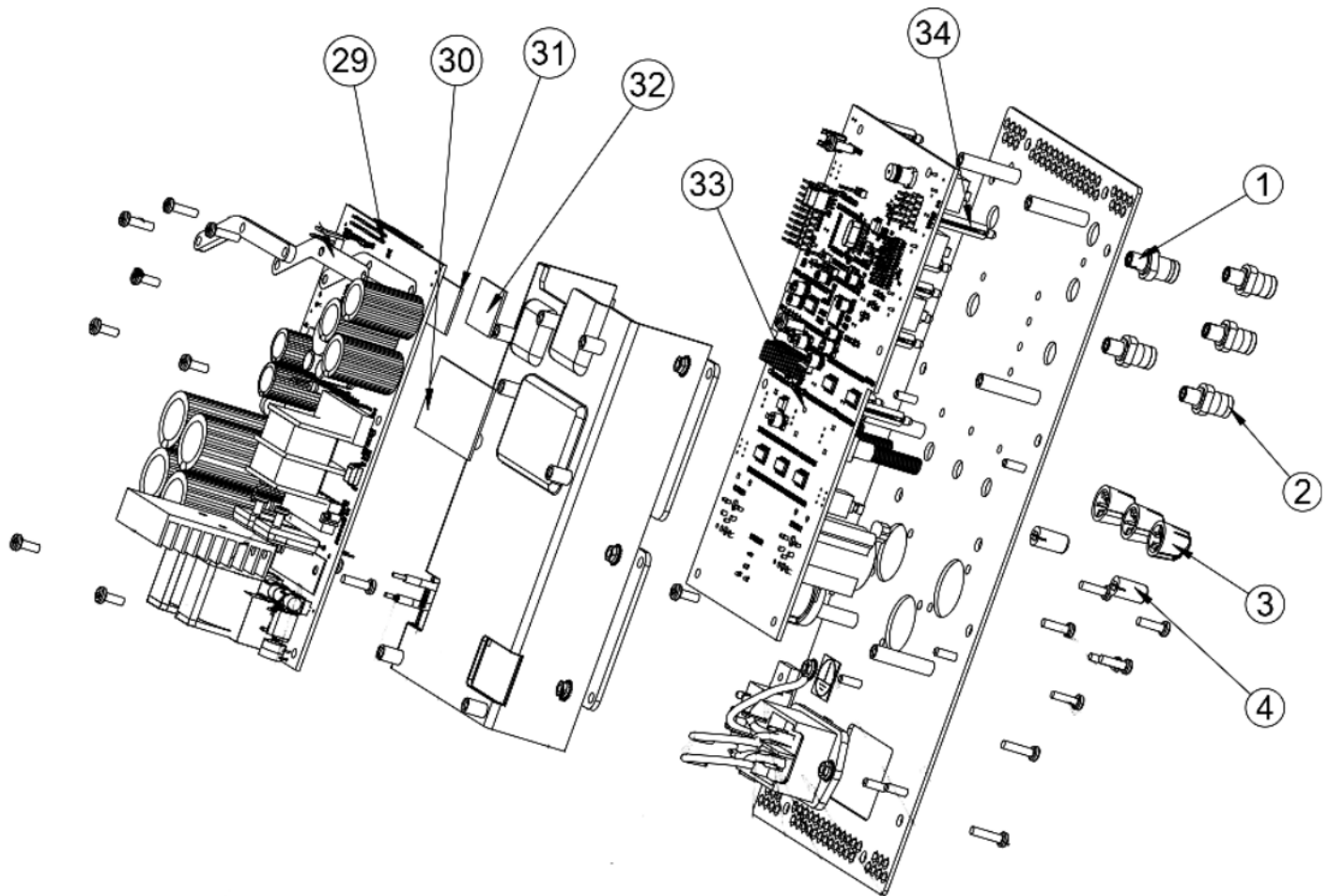
### COMPONENT PARTS LIST:

Item	Part No.	Qty	Description
3	5042110	1	EON612 GRILLE
4	5039910	2	UPPER, LOWER HANDLE ASSEMBLY
5	5042111	2	SIDE FOOT LEFT
6	5042112	2	SIDE FOOT RIGHT
7	363858-001X	1	M/I, 2414H-1
8	5039909	2	SIDE HANDLE ASSEMBLY
9	5040033	1	LOGO BADGE
10	5046347	1	AMP, EON612
11	838-00900-00	3	NUT, M14 FINE, CLR ZINC RH
12	364616-001	3	FLY BOLT
13	848-00100-02	3	WASHER, M14,REG, CLR ZINC
14	5043063	1	FRONT LED LENS
15	5044890X	1	MFD ITEM, 612H, 12" WOOFER
16	364835-001	11	GASKET, ENCLOSURE
17	365270-002	12	M4-42mm-BAFFLE-SCREW
20	339391-001	1	GASKET, 12" WOOFER
23	5049183	1	WIRE HARNESS w/Ferrite
24	5044450	1	COAXIAL CABLE ASSY,600MM
25	5044449	1	ANTENNA MODULE
26	5043266	20	SCREW, AMPLIFIER & GRILLE

Item	Part No.	Qty	Description
27	5043268	8	SCR,PT,M4X15MM, WASHERHD, TORX,BLK
29	5043269	4	SCREW, TOP/BOTTOM HANDLE
34	5049478	2	SCR,PT,K35X32MM,PANHD, PH DRIVE, BLK
36	365462-001	1	CUP PLUG
37	5045942	12	SCR,PT,M5X26MM,PANHD TORXMAGNI577
38	5041398	1	ANTENNA HOLDER
40	5041648	1	EON612,COVER PLATE
41	5044889	2	LED-ANTENNA GASKET
42	5044213	1	LIGHT PCB ASSEMBLY

# JBL EON612

## COMPONENT EXPLODED VIEW



### COMPONENT PARTS LIST:

Item	Part No.	Qty	Description
1	5054669	1	G4-Button ABS
2	5054670	4	G4-Button ABS
3	5054671	3	G4-Knob ABS
4	5054672	2	G4-Button Silicon Natural grey
8	5041648	1	G4 rear plate SECC T=1.5mm CED Coating
10	5054673	1	IEC AC JACK inlet+switch 10A 250V
29	5054674	1	JBL G4 AMP PCBA ASS'Y
30	5054675	1	SILICON INSULATOR L53xW28xT1.0mm xGREY,adhesive DS11
31	5054676	1	SILICON INSULATOR L23xW18xT1.0mm xGREY,adhesive DS11
32	5054677	1	SILICON INSULATOR L20xW10xT1.0mm
33	5054791	1	JBL G4 DSP PCBA ASS'Y
34	5054679	10	LED Spacer Nylon LE52222-5