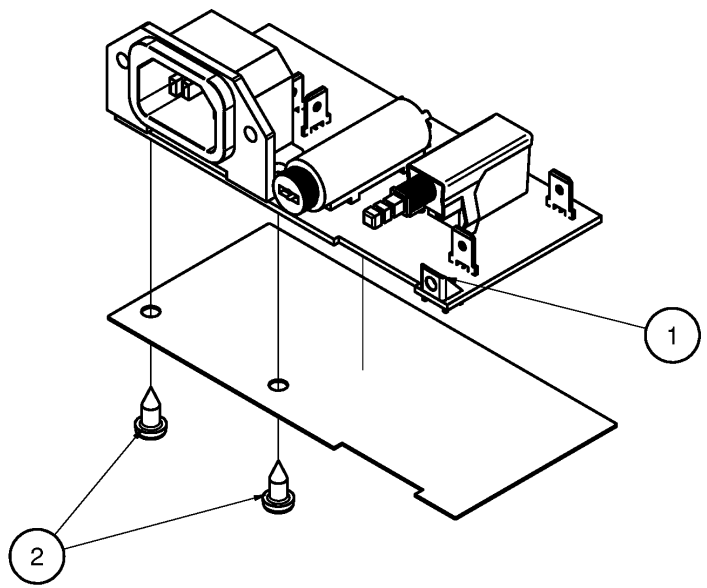
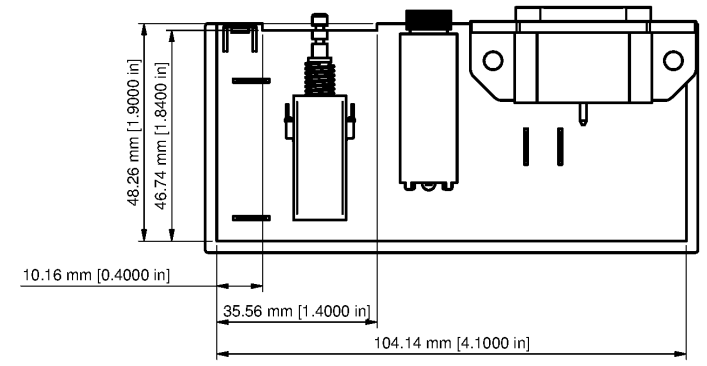


REVISION HISTORY				
REV	DESCRIPTION	DATE	REVISED	APPROVED
A	DRAWING UPDATED	2012-11-20	CM ILAPAN	J.BALINGIT



2	F99-40007-15333	2	SC-A04*10-03-B-ZP-BLK[R]	
1	A65-06700-00832	1	MET-MOUNT1REVB[R]	022-01000-05637
ITEM	ITEM NUMBER	QTY	ITEM CODE	CONSTRUCTION NO.

MECHANICAL PARTS LIST

All information (including drawings and diagrams) contained in this document is the property of MUSIC GROUP LTD. Addressees whom the information is confided to shall maintain the information in confidence and shall not release it to any unauthorized third parties (except under attorney client privilege or under appropriate confidentiality agreements). Any unauthorized disclosure, use, application or any other dealings in the information shall result in civil and/or (where applicable) criminal liabilities and penalties.

	PROJECT:	J.BARCELON	DESCRIPTION:	
	P0611	J.BARCELON	PSU ASSEMBLY	
	MATERIAL:	J.BARCELON	SIZE:	DRAWING NUMBER:
	N/A	J.BARCELON	A3	014-61173-80401
	APPROVED:	H.HOLEZ	SCALE:	N T S
FINISH:	H.HOLEZ	DATE:	3/3/2006	REV:
N/A	H.HOLEZ	DATE:	3/3/2006	A
MUSIC GROUP		SCALE N T S		SHEET 1 OF 1