

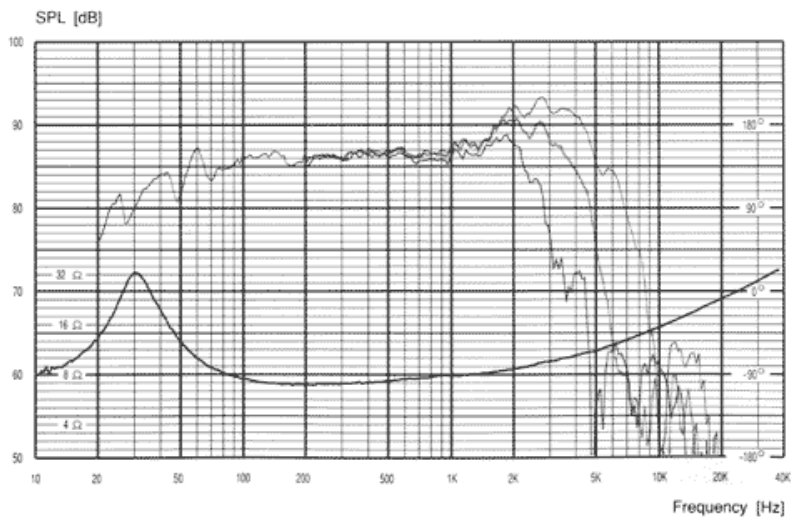


18S/8535 MID-WOOFER

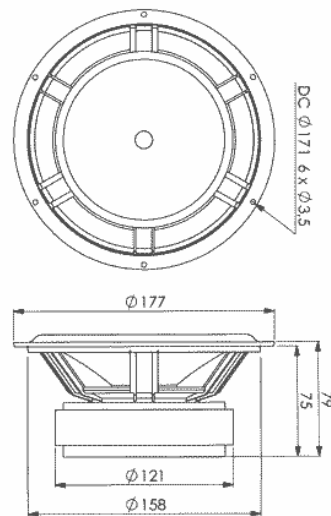
18S/8535-00



Characteristic sensitivity (2.83V / 1m)	: 86.5 dB
Recommended frequency range	: 26 - 3500 Hz
Free air resonance frequency, f_s	: 26 Hz
DC resistance, R_e	: 5.8 Ω
Voice coil inductance, L_e	: 0.3 mH
Effective piston area, S_d	: 145 cm ²
Moving mass incl. air, m_d	: 15.5 g
Mechanical loss, R_m	: 1.0 Ns/m
Force factor, BL	: 5.6 Tm
Equivalent volume, V_{as}	: 72 ltr.
Mechanical Q-factor, Q_{ms}	: 2.5
Electrical Q-factor, Q_{es}	: 0.47
Total Q-factor, Q_{ts}	: 0.40
Excursion, lin./max.	: ± 5.0 / ± 10 mm
Voice coil diameter	: 38 mm
Rated power handling	: 70 W
Net weight	: 2.5 kg



Frequency Response



Dimensions