

STK6820, 6820H SERIES

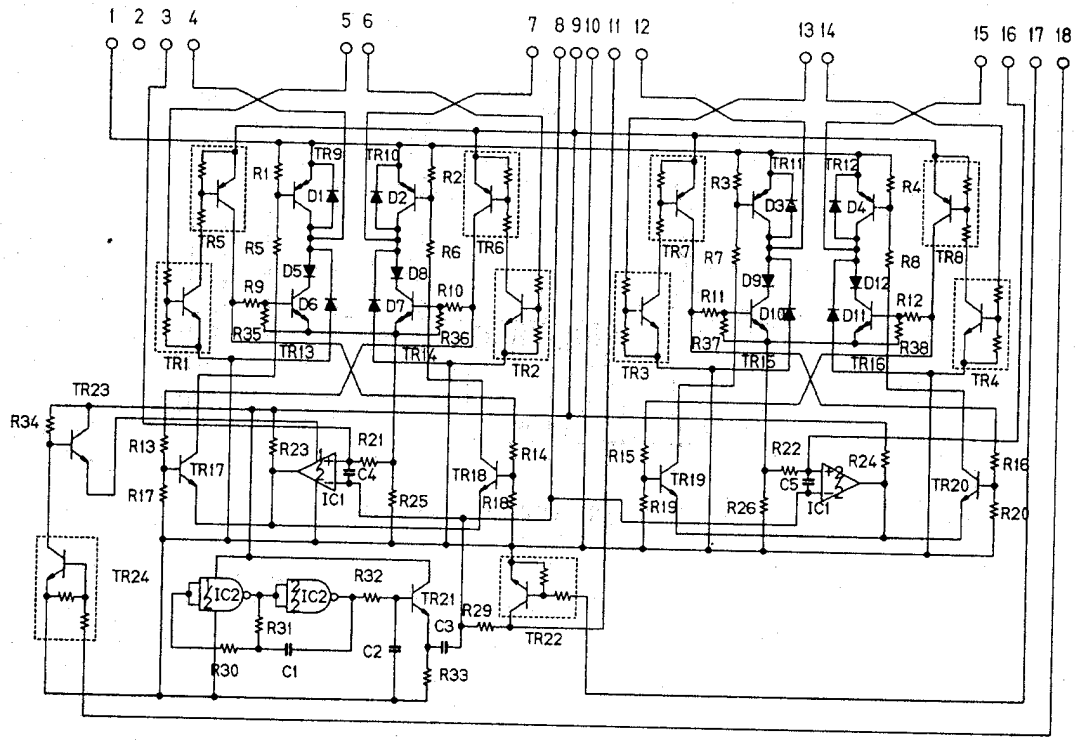
BIPOLAR TYPE STEPPING MOTOR DRIVER
(バイポーラタイプステッピングモータドライバ)

△ Under development

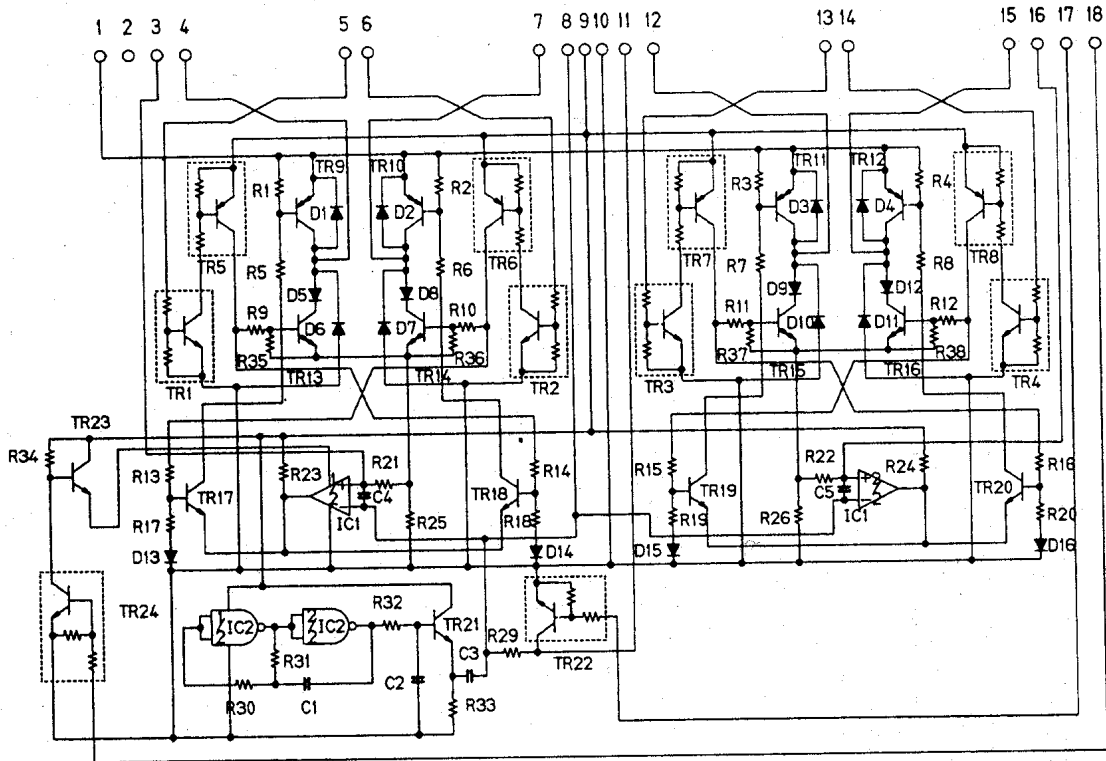
Type No. 機種	Maximum Rating 最大定格				Recommended Condition 推奨条件	Main Operational Characteristics 動作特性						
	Vcc max	I _o max	T _c max	T _j max		Vcc	Output Saturation 出力飽和電圧			OSC Frequency 発振周波数	Thermal resistance(θ _{j-c}) 接合部熱抵抗	
	V	A	°C	°C			V	Each phase V _{IN} =1.5V			KHz	Tr _{9~12}
					Vst1 V	Vst2 V		I _{OH} A		°C/W		°C/W
△ STK6820	30	0.7	105	150	24	1.0	2.0	0.43	24	11.0	19.2	
△ STK6821	30	1.5	105	150	24	1.0	2.3	0.9	24	10.0	16.0	
STK6822	30	2.5	105	150	24	1.2	2.5	1.5	24	9.0	13.5	
△ STK6820H	52	0.7	105	150	36	1.0	2.0	0.43	24	11.0	19.2	
△ STK6821H	52	1.5	105	150	36	1.0	2.3	0.9	24	10.0	16.0	
STK6822H	52	2.5	105	150	36	1.2	2.5	1.5	24	8.5	13.5	

■ EQUIVALENT CIRCUIT

(1)

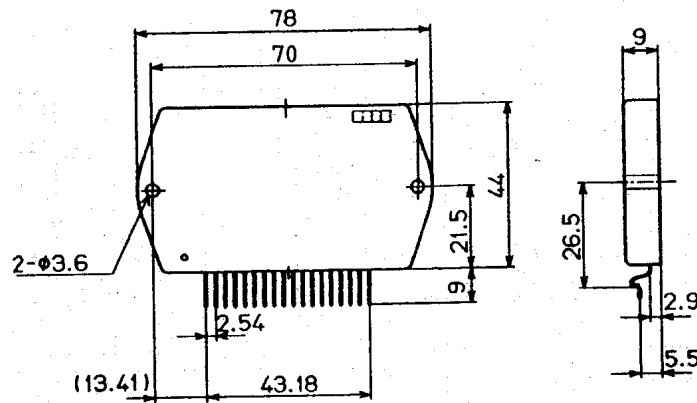


(2)



STK6820Hseries

■ PACKAGE DIMENSION



(STK6820, 6820H series)