

PARTS LIST

CAUTION

- The parts identified by the Δ symbol are important for the safety . Whenever replacing these parts, be sure to use specified ones to secure the safety.
- The parts not indicated in this Parts List and those which are filled with lines --- in the Parts No. columns will not be supplied.
- P. W. Board Ass'y will not be supplied, but those which are filled with the Parts No. in the Parts No. columns will be supplied.

ABBREVIATIONS OF RESISTORS, CAPACITORS AND TOLERANCES

RESISTORS		CAPACITORS	
CR	Carbon Resistor	C CAP.	Ceramic Capacitor
FR	Fusible Resistor	E CAP.	Electrolytic Capacitor
PR	Plate Resistor	M CAP.	Mylar Capacitor
VR	Variable Resistor	CH CAP.	Chip Capacitor
HV R	High Voltage Resistor	HV CAP.	High Voltage Capacitor
MF R	Metal Film Resistor	MF CAP.	Metalized Film Capacitor
MG R	Metal Glazed Resistor	MM CAP.	Metalized Mylar Capacitor
MP R	Metal Plate Resistor	MP CAP.	Metalized Polystyrol Capacitor
OM R	Metal Oxide Film Resistor	PP CAP.	Polypropylene Capacitor
CMF R	Coating Metal Film Resistor	PS CAP.	Polystyrol Capacitor
UNF R	Non-Flammable Resistor	TF CAP.	Thin Film Capacitor
CH V R	Chip Variable Resistor	MPP CAP.	Metalized Polypropylene Capacitor
CH MG R	Chip Metal Glazed Resistor	TAN. CAP.	Tantalum Capacitor
COMP. R	Composition Resistor	CH C CAP.	Chip Ceramic Capacitor
LPTC R	Linear Positive Temperature Coefficient Resistor	BP E CAP.	Bi-Polar Electrolytic Capacitor
		CH AL E CAP.	Chip Aluminum Electrolytic Capacitor
		CH AL BP CAP.	Chip Aluminum Bi-Polar Capacitor
		CH TAN. E CAP.	Chip Tantalum Electrolytic Capacitor
		CH AL BP E CAP.	Chip Tantalum Bi-Polar Electrolytic Capacitor

RESISTORS									
F	G	J	K	M	N	R	H	Z	P
±1%	±2%	±5%	±10%	±20%	±30%	+30% -10%	+50% -10%	+80% -20%	+100% -0%

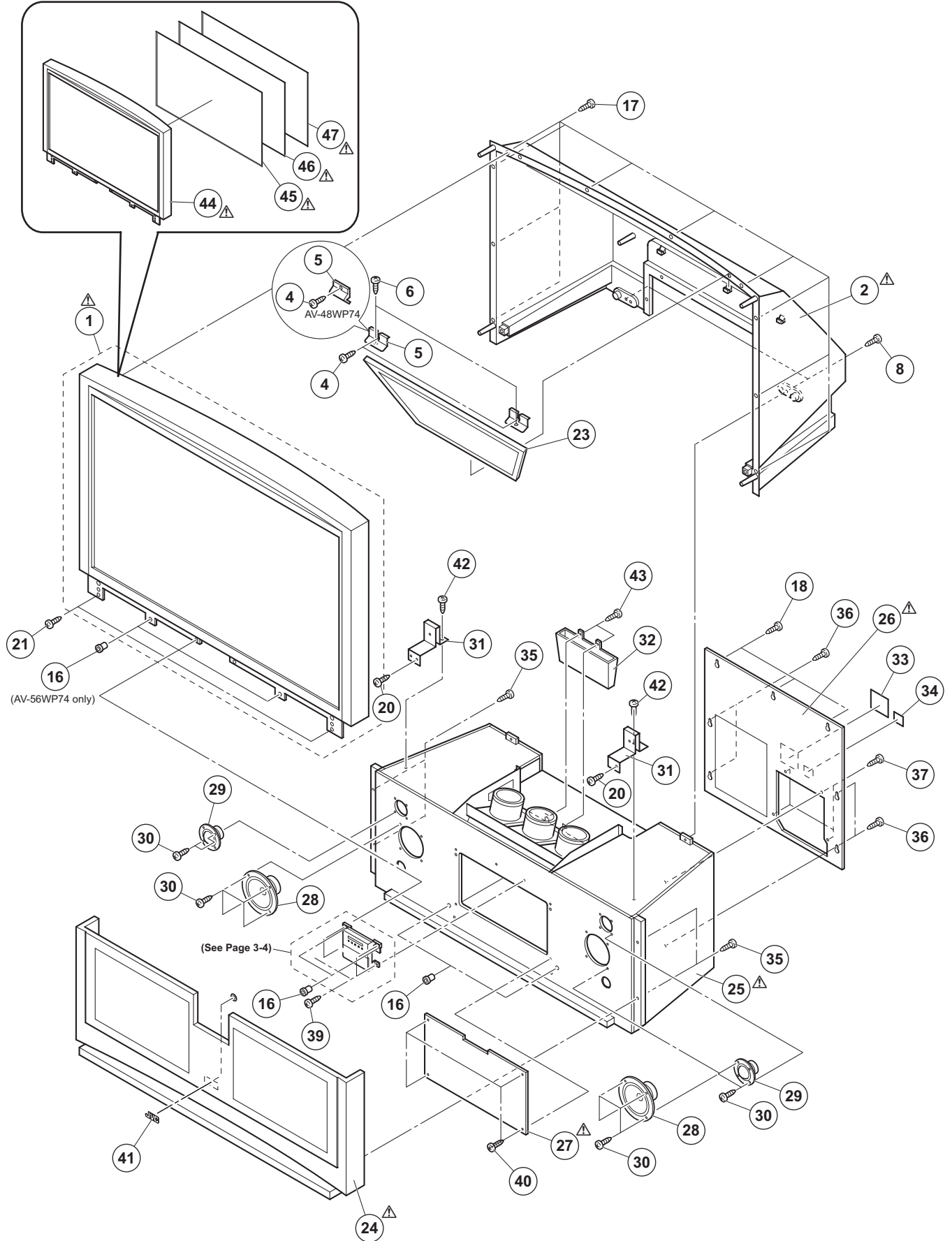
CONTENTS

EXPLODED VIEW PARTS LIST - 1	3-2
EXPLODED VIEW - 1	3-3
EXPLODED VIEW PARTS LIST - 2	3-4
EXPLODED VIEW - 2	3-4
PRINTED WIRING BOARD PARTS LIST	3-6
MAIN PW BOARD ASS'Y (SSB-1070A-M2) [AV-48WP74] (SSB-1069A-M2) [AV-56WP74]	3-6
POWER & DEF PW BOARD ASS'Y (SSB-2070A-M2) [AV-48WP74] (SSB-2069A-M2) [AV-56WP74]	3-10
R CRT SOCKET PW BOARD ASS'Y (SSB-3168A-M2)	3-12
G CRT SOCKET PW BOARD ASS'Y (SSB-3268A-M2)	3-12
B CRT SOCKET PW BOARD ASS'Y (SSB-3368A-M2)	3-13
CONVERGENCE OUT PW BOARD ASS'Y (SSB-5068A-M2)	3-13
VM PW BOARD ASS'Y (SSB-7268A-M2)	3-14
REMOCON SENSOR PW BOARD ASS'Y (SSB-8068A-M2)	3-14
LINE FILTER PW BOARD ASS'Y (SSB-9068A-M2)	3-14
DEF OSC PW BOARD ASS'Y (SSB0H068A-M2)	3-14
RECEIVER PW BOARD ASS'Y (SSB0R368A-M2)	3-16
FRONT CONTROL PW BOARD ASS'Y (SSB0L068A-M2)	3-17
FRONT RELAY PW BOARD ASS'Y (SSB0L268A-M2)	3-18
DIGITAL INPUT MODULE PW BOARD ASS'Y (48WP74CP-S) [AV-48WP74] (56WP74CP-S) [AV-56WP74]	3-18
DIGITAL CONVERGENCE MODULE PW BOARD ASS'Y (SSB0K070A-M2) [AV-48WP74] (SSB0K069A-M2) [AV-56WP74]	3-18
MI-COM & DIST MODULE PW BOARD ASS'Y (SSB0D070A-M2) [AV-48WP74] (SSB0D069A-M2) [AV-56WP74]	3-18
REMOTE CONTROL UNIT PARTS LIST (RM-C1200G-1H)	3-18
PACKING	3-19
PACKING PARTS LIST	3-19

EXPLODED VIEW PARTS LIST - 1

△	Ref.No.	Part No.	Part Name	Description	Local
△	1	48WP74SCSAM2	SCREEN ASSY		AV-48WP74
△	1	56WP74SCSAM2	SCREEN ASSY		AV-56WP74
△	2	LC11247-001C-A	BACK COVER		AV-48WP74
△	2	LC11407-001C-A	BACK COVER		AV-56WP74
	4	QYSBSF4012Z	TAP SCREW	4mm x 12mm(x2)	
	5	LC31752-001A-A	MIRROR BRACKET	(x2)	AV-48WP74
	5	LC41419-001A-A	MIRROR BRACKET	(x2)	AV-56WP74
	6	QYSBSF4012Z	TAP SCREW	4mm x 12mm(x2)	AV-56WP74
	8	QYSBSAG4018M	TAP SCREW	4mm x 18mm(x2)	
	16	LC41237-001A	RUBBER CATCH	(x4)	AV-48WP74
	16	LC41237-001A	RUBBER CATCH	(x6)	AV-56WP74
	17	QYSBSFG4016M	TAP SCREW	4mm x 16mm(x10)	
	18	QYSBSFG4016M	TAP SCREW	4mm x 16mm(x3)	
	19	QYSBSF4012Z	TAP SCREW	4mm x 12mm(x2)	
	20	QYSBSA4012M	TAP SCREW	4mm x 12mm(x2)	
	21	QYSBSAG4018M	TAP SCREW	4mm x 18mm(x2)	
	23	LC31733-001A-A	MIRROR		AV-48WP74
	23	LC31954-001A-A	MIRROR		AV-56WP74
△	24	LC11251-001D-A	SPEAKER GRILL		AV-48WP74
△	24	LC11406-002A-A	SPEAKER GRILL		AV-56WP74
△	25	LC11248-001C-A	BODY		AV-48WP74
△	25	LC11408-001A-A	BODY		AV-56WP74
△	26	LC20982-003A-A	BACK BOARD		
△	27	LC31757-002A-A	FRONT BOARD		
	28	QAS0104-001	SPEAKER	SP01 SP02(x2)	AV-48WP74
	28	QAS0134-001	SPEAKER	SP01 SP02(x2)	AV-56WP74
	29	QAS0105-001	SPEAKER	SP03 SP04(x2)	AV-48WP74
	29	QAS0133-001	SPEAKER	SP03 SP04(x2)	AV-56WP74
	30	QYSBSA4012M	TAP SCREW	4mm x 12mm(x12)	
	31	LC31756-001A-A	BC FITTING	(x2)	
	32	CM22765-001-A	COOLANT PAN		
△	33	LC31139-001A-A	RATING LABEL		
	34	LC41424-001A-A	HDCP WARNING		
	35	QYSBSFG4020M	TAP SCREW	4mm x 20mm(x4)	
	36	QYSBSAG4018M	TAP SCREW	4mm x 18mm(x4)	
	37	QYSBSFG4016M	TAP SCREW	4mm x 16mm(x4)	
	39	QYSDSA4015Z	SCREW	4mm x 15mm(x4)	
	40	QYSBSAG4018M	TAP SCREW	4mm x 18mm(x4)	
	41	CM47752-006	BRAND MARK		AV-48WP74
	41	CM47752-004	BRAND MARK		AV-56WP74
	42	QYSPSPD4020Z	SCREW	4mm x 20mm(x2)	
	43	QYSBSF4012Z	TAP SCREW	4mm x 12mm(x2)	
△	44	LC11245-001D-A	FRONT PANEL		AV-48WP74
△	44	LC11405-003A-A	FRONT PANEL		AV-56WP74
△	45	LC31737-001A-A	SC SHIELD 48		AV-48WP74
△	45	LC31949-001A-A	SC SHIELD 56		AV-56WP74
△	46	LC31744-001A-A	SCREEN LENTI		AV-48WP74
△	46	LC31950-001A-A	SCREEN LENTI		AV-56WP74
△	47	LC31745-001A-A	SCREEN FRESNEL		AV-48WP74
△	47	LC31951-001A-A	SCREEN FRESNEL		AV-56WP74

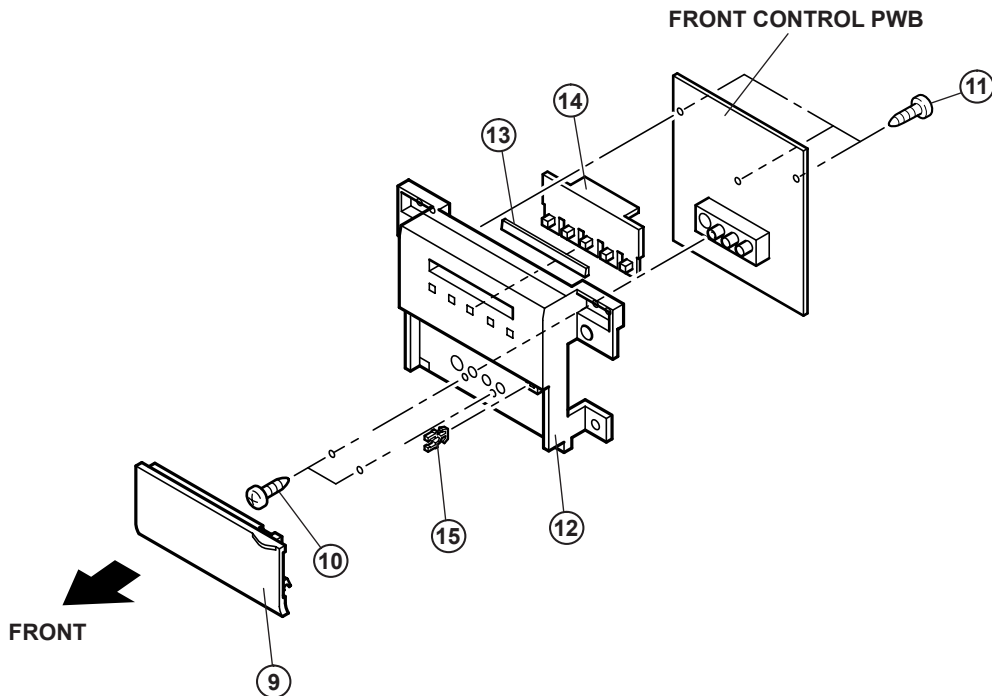
EXPLODED VIEW - 1



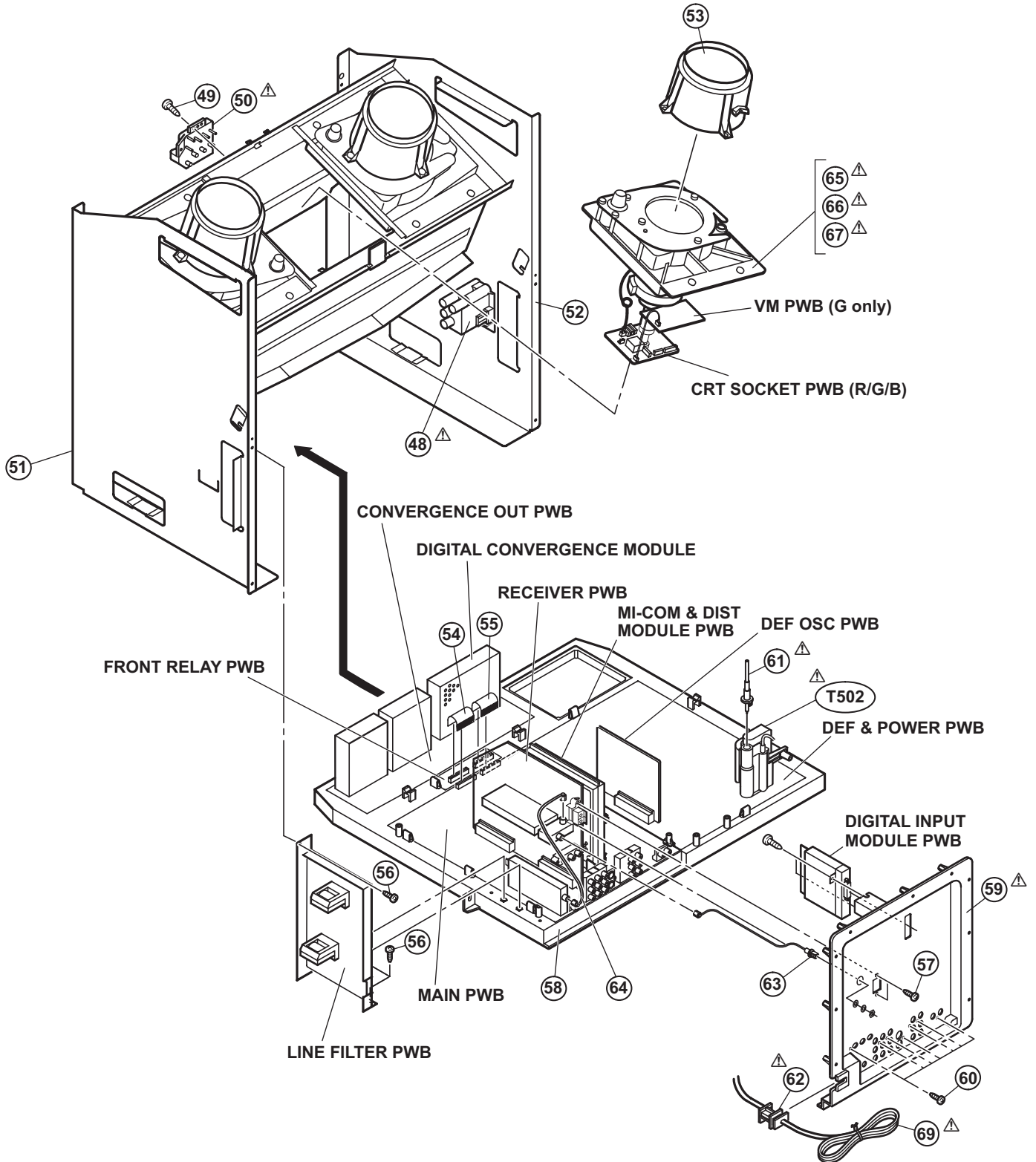
EXPLODED VIEW PARTS LIST - 2

△ Ref.No.	Part No.	Part Name	Description	Local
9	LC31829-001C-A	DOOR		
10	QYSBSF3012M	TAP SCREW	3mm x 12mm(x2)	
11	QYSBSF3012M	TAP SCREW	3mm x 12mm(x3)	
12	LC31883-003A-A	CONTROL PANEL		
13	LC31749-001A-A	LED LENS		
14	LC31751-001B-A	KNOB		AV-48WP74
14	LC31751-002B-A	KNOB		AV-56WP74
15	PU60109	CATCHER		
△ 48	QAE0005-001	HV DIVIDER		
49	QYSBSBG3008Z	TAP SCREW	3mm x 8mm	
△ 50	QAE0006-001	FOCUS PACK		
51	LC20977-002A-A	UNIT BRACKET R		
52	LC20977-001A-A	UNIT BRACKET L		
53	LC31735-001A-A	PJ LENS	(x3)	AV-48WP74
53	LC31736-001A-A	PJ LENS	(x3)	AV-56WP74
54	QUQ212-1708CG	FFC WIRE		
55	QUQ212-1306CF	FFC WIRE		
56	QYSBSF4012Z	TAP SCREW	4mm x 12mm(x3)	
57	QYSBSF3012M	TAP SCREW	3mm x 12mm(x2)	
58	LC11249-001B-A	CHASSIS BASE		
△ 59	LC11511-001A-A	AV BOARD		
60	QYSBSF3012M	TAP SCREW	3mm x 12mm(x5)	
△ 61	QNZ0563-001	ANODE WIRE ASSY		
△ 62	LC20106-001D-A	POWER CORD CLAMP		
63	QAM0468-001	F CABLE		
64	WJX0014-001A	E-COAXIAL ASSY		
△ 65	R CRT BC SA	R CRT ASSY		
△ 66	G CRT BC SA	G CRT ASSY		
△ 67	B CRT BC SA	B CRT ASSY		
△ 69	QMPD200-200-JC	POWER CORD(US/CA)	2m BLACK	
△ T502	QQH0113-002	FB TRANSF		

EXPLODED VIEW - 2



FRONT



PRINTED WIRING BOARD PARTS LIST

MAIN PW BOARD ASS'Y (SSB-1070A-M2) [AV-48WP74] (SSB-1069A-M2) [AV-56WP74]

△Ref No.	Part No.	Part Name	Description	Local
IC1211	TA1318N	IC		
IC1212	TC7W08F-X	IC		
IC1301	AN15852A	IC		
IC1501	CXA2069Q	IC		
IC1502	M62320FP-X	IC		
IC1511	PQ3RD13	IC		
IC1641	NJM2150AM-X	IC		
△IC1661	AN5277	IC	(SERVICE)	
IC1703	AT24LC32-48WP74	IC		
IC1801	TA48M033F-X	IC		
IC1941	SI-8090S	IC		
IC1942	SI-8050S	IC		
IC1943	PQ1CG21H2FZ	IC		
IC1981	PQ1CG21H2FZ	IC		
IC1991	PQ12RD11	IC		
IC1993	MM1565AF-X	IC		
IC3001	MN82832	IC		
IC3002	R1170H331B-X	IC		
IC6001	NJM2701M-X	IC		
Q0701	2SK1374-X	MOS FET		
Q0702	2SK1374-X	MOS FET		
Q1101	2SD601A/QR/-X	TRANSISTOR		
Q1102	2SB709A/QR/-X	TRANSISTOR		
Q1103	2SD601A/QR/-X	TRANSISTOR		
Q1232	2SB709A/QR/-X	TRANSISTOR		
Q1301	2SC3837K/NP/-X	TRANSISTOR		
Q1302	2SC3837K/NP/-X	TRANSISTOR		
Q1303	2SC3837K/NP/-X	TRANSISTOR		
Q1401	2SD601A/QR/-X	TRANSISTOR		
Q1668	UN2213-X	DIGI TRANSISTOR		
Q1669	2SD601A/QR/-X	TRANSISTOR		
Q1672	2SD601A/QR/-X	TRANSISTOR		
Q1673	2SB709A/QR/-X	TRANSISTOR		
Q1911	2SA966/OY/-T	TRANSISTOR		
Q1912	2SD601A/QR/-X	TRANSISTOR		
Q1961	2SD601A/QR/-X	TRANSISTOR		
Q1962	2SD601A/QR/-X	TRANSISTOR		
Q1964	2SD601A/QR/-X	TRANSISTOR		
Q1965	UN2213-X	DIGI TRANSISTOR		
Q1981	2SC4685	TRANSISTOR		
Q1982	UN2213-X	DIGI TRANSISTOR		
Q1983	2SD601A/QR/-X	TRANSISTOR		
Q1984	2SC4682-T	TRANSISTOR		
Q3001	2SD601A/QR/-X	TRANSISTOR		
Q3002	2SD601A/QR/-X	TRANSISTOR		
Q3003	2SB709A/QR/-X	TRANSISTOR		
Q3004	2SD601A/QR/-X	TRANSISTOR		
Q3005	2SD601A/QR/-X	TRANSISTOR		
Q3006	2SB709A/QR/-X	TRANSISTOR		
Q3007	2SB709A/QR/-X	TRANSISTOR		
Q3501	2SB709A/QR/-X	TRANSISTOR		
Q3502	2SD601A/QR/-X	TRANSISTOR		
Q3505	2SB709A/QR/-X	TRANSISTOR		
Q3506	2SD601A/QR/-X	TRANSISTOR		
Q3509	2SB709A/QR/-X	TRANSISTOR		
Q3510	2SD601A/QR/-X	TRANSISTOR		
Q6001	2SD601A/QR/-X	TRANSISTOR		
Q6002	2SD601A/QR/-X	TRANSISTOR		
D1093	MA8082/M/-X	Z DIODE		
D1301	MA8100/M/-X	Z DIODE		
D1302	MA8100/M/-X	Z DIODE		
D1303	MA8100/M/-X	Z DIODE		
D1401	MA111-X	SI DIODE		
D1402	UDZS5.1B-X	Z DIODE		
D1403	MA111-X	SI DIODE		
D1595	MA8100/M/-X	Z DIODE		
D1596	MA8100/M/-X	Z DIODE		
D1598	MA8100/M/-X	Z DIODE		
D1599	MA8100/M/-X	Z DIODE		
D1662	MA3330/L/-X	Z DIODE		
D1663	MA3330/L/-X	Z DIODE		
D1667	MA111-X	SI DIODE		
D1668	MA111-X	SI DIODE		
D1669	MA111-X	SI DIODE		
D1702	MA111-X	SI DIODE		
D1703	MA111-X	SI DIODE		
D1704	MA8100/M/-X	Z DIODE		

△Ref No.	Part No.	Part Name	Description	Local
D1705	MA8100/M/-X	Z DIODE		
D1801	1SR35-400A-T2	SI DIODE		
D1802	MA111-X	SI DIODE		
D1803	MA111-X	SI DIODE		
D1891	MA8082/M/-X	Z DIODE		
D1892	MA8082/M/-X	Z DIODE		
D1893	MA8051/M/-X	Z DIODE		
D1894	MA8051/M/-X	Z DIODE		
D1941	RK34-LFC4	SB DIODE		
D1942	D3S4M-F1P20	SB DIODE		
D1943	RK34-LFC4	SB DIODE		
D1945	MA111-X	SI DIODE		
D1946	MA111-X	SI DIODE		
D1962	MA3030/H/-X	Z DIODE		
D1964	MA111-X	SI DIODE		
D1965	MA111-X	SI DIODE		
D1967	PTZ6.8B-X	Z DIODE		
D1968	PTZ6.8B-X	Z DIODE		
D1969	PTZ11B-X	Z DIODE		
D1981	RK34-LFC4	SB DIODE		
D1982	PTZ6.8B-X	Z DIODE		
D1991	MA111-X	SI DIODE		
D1993	MA111-X	SI DIODE		
D2101	MA8100/M/-X	Z DIODE		
D2121	MA8100/M/-X	Z DIODE		
D2201	MA8100/M/-X	Z DIODE		
D2204	MA8100/M/-X	Z DIODE		
D2205	MA8100/M/-X	Z DIODE		
D2206	MA8100/M/-X	Z DIODE		
D2207	MA8100/M/-X	Z DIODE		
D2209	MA8100/M/-X	Z DIODE		
D2210	MA8100/M/-X	Z DIODE		
D2212	MA8100/M/-X	Z DIODE		
D2213	MA8100/M/-X	Z DIODE		
D2214	MA8100/M/-X	Z DIODE		
D2215	MA8100/M/-X	Z DIODE		
D2216	MA8100/M/-X	Z DIODE		
D2217	MA8100/M/-X	Z DIODE		
D2218	MA8100/M/-X	Z DIODE		
D2219	MA8100/M/-X	Z DIODE		
D2220	MA8100/M/-X	Z DIODE		
D2402	MA8100/M/-X	Z DIODE		
D2403	MA8100/M/-X	Z DIODE		
D2404	MA8100/M/-X	Z DIODE		
D2406	MA8100/M/-X	Z DIODE		
D2421	MA8100/M/-X	Z DIODE		
D2422	MA8100/M/-X	Z DIODE		
C1102	QETN1CM-477Z	E CAPACITOR	470uF 16V M	
C1103	QETN1HM-106Z	E CAPACITOR	10uF 50V M	
C1111	NCB31HK-103X	C CAPACITOR	0.01uF 50V K	
C1112	NCB31HK-103X	C CAPACITOR	0.01uF 50V K	
C1113	NCB31HK-103X	C CAPACITOR	0.01uF 50V K	
C1213	QETN1CM-107Z	E CAPACITOR	100uF 16V M	
C1214	QETN1HM-225Z	E CAPACITOR	2.2uF 50V M	
C1215	QFLC1HJ-103Z	M CAPACITOR	0.01uF 50V J	
C1216	NCF11CZ-475X	C CAPACITOR	4.7uF 16V Z	
C1218	NCB11CK-105X	C CAPACITOR	1uF 16V K	
C1219	NCF11CZ-475X	C CAPACITOR	4.7uF 16V Z	
C1233	NDC31HJ-180X	C CAPACITOR	18pF 50V J	
C1301	QETN1CM-107Z	E CAPACITOR	100uF 16V M	
C1302	QETN1CM-107Z	E CAPACITOR	100uF 16V M	
C1303	QETN1CM-107Z	E CAPACITOR	100uF 16V M	
C1304	NCB31CK-104X	C CAPACITOR	0.1uF 16V K	
C1305	NCB31CK-104X	C CAPACITOR	0.1uF 16V K	
C1306	NCB31CK-104X	C CAPACITOR	0.1uF 16V K	
C1307	QETN1CM-106Z	E CAPACITOR	10uF 16V M	
C1311	NCB11CK-105X	C CAPACITOR	1uF 16V K	
C1312	NCB11CK-105X	C CAPACITOR	1uF 16V K	
C1313	NCB11CK-105X	C CAPACITOR	1uF 16V K	
C1314	NCB11CK-105X	C CAPACITOR	1uF 16V K	
C1315	NCB11CK-105X	C CAPACITOR	1uF 16V K	
C1318	NCB11CK-105X	C CAPACITOR	1uF 16V K	
C1321	NCB11CK-105X	C CAPACITOR	1uF 16V K	
C1322	NCB31HK-103X	C CAPACITOR	0.01uF 50V K	
C1323	NCB31HK-103X	C CAPACITOR	0.01uF 50V K	
C1324	NCB11CK-105X	C CAPACITOR	1uF 16V K	
C1325	NCB11CK-105X	C CAPACITOR	1uF 16V K	
C1326	NDC31HJ-101X	C CAPACITOR	100pF 50V J	
C1327	NDC31HJ-101X	C CAPACITOR	100pF 50V J	
C1328	NDC31HJ-101X	C CAPACITOR	100pF 50V J	
C1329	NDC31HJ-100X	C CAPACITOR	10pF 50V J	
C1331	NCB11CK-105X	C CAPACITOR	1uF 16V K	
C1332	NCB31HK-103X	C CAPACITOR	0.01uF 50V K	

△Ref No.	Part No.	Part Name	Description	Local	△Ref No.	Part No.	Part Name	Description	Local
C1333	NCB31HK-103X	C CAPACITOR	0.01uF 50V K		C1948	QETN1CM-477Z	E CAPACITOR	470uF 16V M	
C1341	NCB11CK-105X	C CAPACITOR	1uF 16V K		C1949	QETN0JM-108Z	E CAPACITOR	1000uF 6.3V M	
C1342	NCB31HK-103X	C CAPACITOR	0.01uF 50V K		C1950	QETN0JM-108Z	E CAPACITOR	1000uF 6.3V M	
C1343	NCB31HK-103X	C CAPACITOR	0.01uF 50V K		C1951	QETN1VM-108Z	E CAPACITOR	1000uF 35V M	
C1351	NCB31HK-103X	C CAPACITOR	0.01uF 50V K		C1952	QETN1AM-108Z	E CAPACITOR	1000uF 10V M	
C1352	NCB31HK-103X	C CAPACITOR	0.01uF 50V K		C1953	QETN0JM-108Z	E CAPACITOR	1000uF 6.3V M	
C1353	NCB31HK-103X	C CAPACITOR	0.01uF 50V K		C1954	QETN0JM-108Z	E CAPACITOR	1000uF 6.3V M	
C1354	NCB31HK-103X	C CAPACITOR	0.01uF 50V K		C1955	NCB31EK-104X	C CAPACITOR	0.1uF 25V K	
C1355	NCB31HK-103X	C CAPACITOR	0.01uF 50V K		C1961	QETN1HM-105Z	E CAPACITOR	1uF 50V M	
C1356	NCB11CK-105X	C CAPACITOR	1uF 16V K		C1981	QETN1CM-107Z	E CAPACITOR	100uF 16V M	
C1366	NCB11CK-105X	C CAPACITOR	1uF 16V K		C1984	QETN1VM-477Z	E CAPACITOR	470uF 35V M	
C1367	NCB11CK-105X	C CAPACITOR	1uF 16V K		C1985	QETN0JM-108Z	E CAPACITOR	1000uF 6.3V M	
C1368	NCB11CK-105X	C CAPACITOR	1uF 16V K		C1989	QETN1AM-108Z	E CAPACITOR	1000uF 10V M	
C1371	QETN1CM-336Z	E CAPACITOR	33uF 16V M		C1991	QETN1EM-107Z	E CAPACITOR	100uF 25V M	
C1372	NCB31CK-104X	C CAPACITOR	0.1uF 16V K		C1992	QETN1CM-477Z	E CAPACITOR	470uF 16V M	
C1381	QETN1CM-336Z	E CAPACITOR	33uF 16V M		C1994	NCB11CK-225X	C CAPACITOR	2.2uF 16V K	
C1382	NCB31CK-104X	C CAPACITOR	0.1uF 16V K		C1995	NCB11CK-225X	C CAPACITOR	2.2uF 16V K	
C1391	QETN1CM-336Z	E CAPACITOR	33uF 16V M		C1996	NCB11CK-225X	C CAPACITOR	2.2uF 16V K	
C1392	NCB31CK-104X	C CAPACITOR	0.1uF 16V K		C2101	NCB11CK-105X	C CAPACITOR	1uF 16V K	
C1403	QETN1AM-108Z	E CAPACITOR	1000uF 10V M		C2102	NCB31HK-103X	C CAPACITOR	0.01uF 50V K	
C1404	QETN1AM-108Z	E CAPACITOR	1000uF 10V M		C2103	QETN1HM-106Z	E CAPACITOR	10uF 50V M	
C1405	QETN0JM-108Z	E CAPACITOR	1000uF 6.3V M		C2104	QETN1HM-106Z	E CAPACITOR	10uF 50V M	
C1406	QETN1AM-108Z	E CAPACITOR	1000uF 10V M		C2105	NCB11CK-225X	C CAPACITOR	2.2uF 16V K	
C1409	QETN1HM-106Z	E CAPACITOR	10uF 50V M		C2106	NCB11CK-225X	C CAPACITOR	2.2uF 16V K	
C1410	NCB31CK-104X	C CAPACITOR	0.1uF 16V K		C2121	NCB11CK-105X	C CAPACITOR	1uF 16V K	
C1411	NCB31CK-104X	C CAPACITOR	0.1uF 16V K		C2123	NCB31HK-103X	C CAPACITOR	0.01uF 50V K	
C1412	QETN1CM-107Z	E CAPACITOR	100uF 16V M		C2124	QETN1HM-106Z	E CAPACITOR	10uF 50V M	
C1415	NCB31HK-103X	C CAPACITOR	0.01uF 50V K		C2126	QETN1HM-106Z	E CAPACITOR	10uF 50V M	
C1416	QETN1EM-476Z	E CAPACITOR	47uF 25V M		C2127	NCB11CK-225X	C CAPACITOR	2.2uF 16V K	
C1417	NCB31HK-103X	C CAPACITOR	0.01uF 50V K		C2128	NCB11CK-225X	C CAPACITOR	2.2uF 16V K	
C1418	QETN1EM-476Z	E CAPACITOR	47uF 25V M		C2144	QETN1HM-106Z	E CAPACITOR	10uF 50V M	
C1421	QETN0JM-108Z	E CAPACITOR	1000uF 6.3V M		C2145	NCB11CK-225X	C CAPACITOR	2.2uF 16V K	
C1423	QETN1HM-476Z	E CAPACITOR	47uF 50V M		C2146	NCB11CK-225X	C CAPACITOR	2.2uF 16V K	
C1430	NCB31HK-103X	C CAPACITOR	0.01uF 50V K		C2302	NCB11CK-105X	C CAPACITOR	1uF 16V K	
C1431	NCB31HK-103X	C CAPACITOR	0.01uF 50V K		C2303	NCB11CK-105X	C CAPACITOR	1uF 16V K	
C1432	NCB31HK-103X	C CAPACITOR	0.01uF 50V K		C2322	NCB11CK-105X	C CAPACITOR	1uF 16V K	
C1433	NCB31HK-103X	C CAPACITOR	0.01uF 50V K		C2323	NCB11CK-105X	C CAPACITOR	1uF 16V K	
C1442	QETN1EM-476Z	E CAPACITOR	47uF 25V M		C2342	NCB11CK-105X	C CAPACITOR	1uF 16V K	
C1505	QENC1HM-475Z	BP E CAPACITOR	4.7uF 50V M		C2343	NCB11CK-105X	C CAPACITOR	1uF 16V K	
C1510	QENC1CM-106Z	BP E CAPACITOR	10uF 16V M		C3001	QENC1AM-336Z	BP E CAPACITOR	33uF 10V M	
C1519	QETN1EM-476Z	E CAPACITOR	47uF 25V M		C3002	NDC31HJ-151X	C CAPACITOR	150pF 50V J	
C1532	QETN1HM-226Z	E CAPACITOR	22uF 50V M		C3003	NDC31HJ-121X	C CAPACITOR	120pF 50V J	
C1539	QENC1HM-475Z	BP E CAPACITOR	4.7uF 50V M		C3004	NDC31HJ-150X	C CAPACITOR	15pF 50V J	
C1540	QETN1AM-107Z	E CAPACITOR	100uF 10V M		C3005	NCF11CZ-475X	C CAPACITOR	4.7uF 16V Z	
C1579	QETN1EM-476Z	E CAPACITOR	47uF 25V M		C3006	NCF31CZ-104X	C CAPACITOR	0.1uF 16V Z	
C1598	NCB11CK-225X	C CAPACITOR	2.2uF 16V K		C3007	NCB31AK-334X	C CAPACITOR	0.33uF 10V K	
C1599	NCB11CK-225X	C CAPACITOR	2.2uF 16V K		C3008	NDC31HJ-151X	C CAPACITOR	150pF 50V J	
C1641	QENC1HM-106Z	BP E CAPACITOR	10uF 50V M		C3009	NDC31HJ-121X	C CAPACITOR	120pF 50V J	
C1642	NCB31HK-153X	C CAPACITOR	0.015uF 50V K 48WP74		C3010	NDC31HJ-150X	C CAPACITOR	15pF 50V J	
C1642	NCB31CK-473X	C CAPACITOR	0.047uF 16V K 56WP74		C3011	NCF11CZ-475X	C CAPACITOR	4.7uF 16V Z	
C1643	NCB31CK-473X	C CAPACITOR	0.047uF 16V K 48WP74		C3012	NCF31CZ-104X	C CAPACITOR	0.1uF 16V Z	
C1643	NCB31CK-333X	C CAPACITOR	0.033uF 16V K 56WP74		C3013	NCF31CZ-104X	C CAPACITOR	0.1uF 16V Z	
C1645	NCB31CK-104X	C CAPACITOR	0.1uF 16V K		C3014	QETN1CM-107Z	E CAPACITOR	100uF 16V M	
C1646	QETN1EM-476Z	E CAPACITOR	47uF 25V M		C3015	NCF31CZ-104X	C CAPACITOR	0.1uF 16V Z	
C1647	QETN1HM-226Z	E CAPACITOR	22uF 50V M		C3016	NCF31CZ-104X	C CAPACITOR	0.1uF 16V Z	
C1648	QETN1HM-106Z	E CAPACITOR	10uF 50V M		C3017	QENC1HM-475Z	BP E CAPACITOR	4.7uF 50V M	
C1651	QENC1HM-106Z	BP E CAPACITOR	10uF 50V M		C3018	NCF31CZ-104X	C CAPACITOR	0.1uF 16V Z	
C1652	NCB31HK-153X	C CAPACITOR	0.015uF 50V K 48WP74		C3019	NCB31HK-103X	C CAPACITOR	0.01uF 50V K	
C1652	NCB31CK-473X	C CAPACITOR	0.047uF 16V K 56WP74		C3020	NCB31HK-103X	C CAPACITOR	0.01uF 50V K	
C1653	NCB31CK-473X	C CAPACITOR	0.047uF 16V K 48WP74		C3021	NCB31HK-103X	C CAPACITOR	0.01uF 50V K	
C1653	NCB31CK-333X	C CAPACITOR	0.033uF 16V K 56WP74		C3022	NCF31CZ-104X	C CAPACITOR	0.1uF 16V Z	
C1663	NRSA63J-0R0X	MG RESISTOR	0Ω 1/16W J		C3023	NCF31CZ-104X	C CAPACITOR	0.1uF 16V Z	
C1665	NRSA63J-0R0X	MG RESISTOR	0Ω 1/16W J		C3024	NCF31CZ-104X	C CAPACITOR	0.1uF 16V Z	
C1667	QETN1HM-106Z	E CAPACITOR	10uF 50V M		C3025	QETN1CM-106Z	E CAPACITOR	10uF 16V M	
C1668	NDC31HJ-101X	C CAPACITOR	100pF 50V J		C3026	NCF31CZ-104X	C CAPACITOR	0.1uF 16V Z	
C1669	NCB11CK-105X	C CAPACITOR	1uF 16V K		C3027	NDC31HJ-7R0X	C CAPACITOR	7pF 50V J	
C1670	QETN1HM-106Z	E CAPACITOR	10uF 50V M		C3028	NDC31HJ-7R0X	C CAPACITOR	7pF 50V J	
C1671	NDC31HJ-101X	C CAPACITOR	100pF 50V J		C3029	NCF31CZ-104X	C CAPACITOR	0.1uF 16V Z	
C1672	NCB11CK-105X	C CAPACITOR	1uF 16V K		C3030	NCF31CZ-104X	C CAPACITOR	0.1uF 16V Z	
C1673	QETN1HM-107Z	E CAPACITOR	100uF 50V M		C3031	NCF31CZ-104X	C CAPACITOR	0.1uF 16V Z	
C1674	QETM1HM-108	E CAPACITOR	1000uF 50V M		C3032	NDC31HJ-560X	C CAPACITOR	56pF 50V J	
C1675	QFV21HJ-124Z	MF CAPACITOR	0.12uF 50V J		C3033	NDC31HJ-330X	C CAPACITOR	33pF 50V J	
C1676	QFV21HJ-124Z	MF CAPACITOR	0.12uF 50V J		C3034	NDC31HJ-560X	C CAPACITOR	56pF 50V J	
C1677	QETN1EM-108Z	E CAPACITOR	1000uF 25V M		C3035	NDC31HJ-330X	C CAPACITOR	33pF 50V J	
C1678	QETN1EM-108Z	E CAPACITOR	1000uF 25V M		C3036	NCF31CZ-104X	C CAPACITOR	0.1uF 16V Z	
C1679	QETN1HM-475Z	E CAPACITOR	4.7uF 50V M		C3037	NCF31CZ-104X	C CAPACITOR	0.1uF 16V Z	
C1680	QETN1HM-106Z	E CAPACITOR	10uF 50V M		C3038	NCF31CZ-104X	C CAPACITOR	0.1uF 16V Z	
C1696	QETN1HM-106Z	E CAPACITOR	10uF 50V M		C3039	NCF31CZ-104X	C CAPACITOR	0.1uF 16V Z	
C1697	QETN1EM-476Z	E CAPACITOR	47uF 25V M		C3041	QETN1CM-106Z	E CAPACITOR	10uF 16V M	
C1702	NCB11CK-105X	C CAPACITOR	1uF 16V K		C3042	NCB31HK-472X	C CAPACITOR	4700pF 50V K	
C1802	QETN1HM-106Z	E CAPACITOR	10uF 50V M		C3044	NCB31HK-472X	C CAPACITOR	4700pF 50V K	
C1803	QETN1EM-476Z	E CAPACITOR	47uF 25V M		C3045	NCB31HK-472X	C CAPACITOR	4700pF 50V K	
C1941	QETN1VM-108Z	E CAPACITOR	1000uF 35V M		C3046	NCB31HK-472X	C CAPACITOR	4700pF 50V K	
C1942	QETN1CM-108Z	E CAPACITOR	1000uF 16V M		C3047	QETN1CM-106Z	E CAPACITOR	10uF 16V M	
C1944	QETN1VM-108Z	E CAPACITOR	1000uF 35V M		C3048	NCB31HK-472X	C CAPACITOR	4700pF 50V K	
C1945	QE20256-128	E CAPACITOR	1200uF 10V M		C3049	NCB31HK-472X	C CAPACITOR	4700pF 50V K	
C1947	QETN1CM-477Z	E CAPACITOR	470uF 16V M		C3050	NCB31HK-472X	C CAPACITOR	4700pF 50V K	

△Ref No.	Part No.	Part Name	Description	Local	△Ref No.	Part No.	Part Name	Description	Local
C3051	NCB31HK-472X	C CAPACITOR	4700pF 50V K		R1220	NRSA63J-101X	MG RESISTOR	100Ω 1/16W J	
C3052	NCB31HK-472X	C CAPACITOR	4700pF 50V K		R1221	NRSA63J-101X	MG RESISTOR	100Ω 1/16W J	
C3053	NCB31HK-472X	C CAPACITOR	4700pF 50V K		R1226	NRSA63J-103X	MG RESISTOR	10kΩ 1/16W J	
C3054	NCB31HK-472X	C CAPACITOR	4700pF 50V K		R1228	NRSA63J-222X	MG RESISTOR	2.2kΩ 1/16W J	
C3055	NCB31HK-472X	C CAPACITOR	4700pF 50V K		R1229	NRSA63J-332X	MG RESISTOR	3.3kΩ 1/16W J	
C3056	NCB31HK-472X	C CAPACITOR	4700pF 50V K		R1230	NRSA63J-101X	MG RESISTOR	100Ω 1/16W J	
C3057	QETN1CM-106Z	E CAPACITOR	10uF 16V M		R1231	NRSA63J-221X	MG RESISTOR	220Ω 1/16W J	
C3058	NCF31CZ-104X	C CAPACITOR	0.1uF 16V Z		R1232	NRSA63J-562X	MG RESISTOR	5.6kΩ 1/16W J	
C3059	QETN1HM-105Z	E CAPACITOR	1uF 50V M		R1234	NRSA63J-562X	MG RESISTOR	5.6kΩ 1/16W J	
C3060	NCF31CZ-104X	C CAPACITOR	0.1uF 16V Z		R1236	NRSA63J-562X	MG RESISTOR	5.6kΩ 1/16W J	
C3061	QETN1HM-105Z	E CAPACITOR	1uF 50V M		R1240	NRSA63J-OR0X	MG RESISTOR	0Ω 1/16W J	
C3062	NCF31CZ-104X	C CAPACITOR	0.1uF 16V Z		R1301	NRSA63J-101X	MG RESISTOR	100Ω 1/16W J	
C3063	QETN1HM-105Z	E CAPACITOR	1uF 50V M		R1302	NRSA63J-101X	MG RESISTOR	100Ω 1/16W J	
C3064	NCF31CZ-104X	C CAPACITOR	0.1uF 16V Z		R1337	NRSA63J-750X	MG RESISTOR	75Ω 1/16W J	
C3065	QETN1CM-106Z	E CAPACITOR	10uF 16V M		R1347	NRSA63J-750X	MG RESISTOR	75Ω 1/16W J	
C3066	NCF31CZ-104X	C CAPACITOR	0.1uF 16V Z		R1372	NRSA63J-101X	MG RESISTOR	100Ω 1/16W J	
C3067	QETN1CM-476Z	E CAPACITOR	47uF 16V M		R1374	NRSA63J-471X	MG RESISTOR	470Ω 1/16W J	
C3068	NCB31HK-103X	C CAPACITOR	0.01uF 50V K		R1375	NRSA63J-OR0X	MG RESISTOR	0Ω 1/16W J	
C3069	QETN1CM-476Z	E CAPACITOR	47uF 16V M		R1379	NRSA63J-750X	MG RESISTOR	75Ω 1/16W J	
C3070	NCB31HK-103X	C CAPACITOR	0.01uF 50V K		R1382	NRSA63J-101X	MG RESISTOR	100Ω 1/16W J	
C3071	QETN1CM-476Z	E CAPACITOR	47uF 16V M		R1384	NRSA63J-471X	MG RESISTOR	470Ω 1/16W J	
C3072	NCF31CZ-104X	C CAPACITOR	0.1uF 16V Z		R1385	NRSA63J-OR0X	MG RESISTOR	0Ω 1/16W J	
C3077	NCB31AK-334X	C CAPACITOR	0.33uF 10V K		R1392	NRSA63J-101X	MG RESISTOR	100Ω 1/16W J	
C3078	NCF31CZ-104X	C CAPACITOR	0.1uF 16V Z		R1394	NRSA63J-471X	MG RESISTOR	470Ω 1/16W J	
C3079	NDC31HJ-470X	C CAPACITOR	47pF 50V J		R1395	NRSA63J-OR0X	MG RESISTOR	0Ω 1/16W J	
C3080	QBTC1CK-106Z	TA E CAPACITOR	10uF 16V K		R1401	NRSA63J-OR0X	MG RESISTOR	0Ω 1/16W J	
C3082	NDC31HJ-151X	C CAPACITOR	150pF 50V J		R1402	NRSA63J-OR0X	MG RESISTOR	0Ω 1/16W J	
C3086	NCB31HK-152X	C CAPACITOR	1500pF 50V K		R1407	NRSA63J-OR0X	MG RESISTOR	0Ω 1/16W J	
C3088	NDC31HJ-100X	C CAPACITOR	10pF 50V J		R1409	NRSA63J-OR0X	MG RESISTOR	0Ω 1/16W J	
C3089	NDC31HJ-100X	C CAPACITOR	10pF 50V J		R1421	NRSA63J-683X	MG RESISTOR	68kΩ 1/16W J	
C3090	NDC31HJ-100X	C CAPACITOR	10pF 50V J		R1422	NRSA63J-101X	MG RESISTOR	100Ω 1/16W J	
C3099	NCB31HK-472X	C CAPACITOR	4700pF 50V K		R1423	NRSA63J-332X	MG RESISTOR	3.3kΩ 1/16W J	
C3100	NCB31HK-472X	C CAPACITOR	4700pF 50V K		R1501	NRSA63J-100X	MG RESISTOR	10Ω 1/16W J	
C3501	NCF31CZ-104X	C CAPACITOR	0.1uF 16V Z		R1502	NRSA63J-100X	MG RESISTOR	10Ω 1/16W J	
C3502	NDC31HJ-101X	C CAPACITOR	100pF 50V J		R1504	NRSA63J-100X	MG RESISTOR	10Ω 1/16W J	
C3503	NDC31HJ-121X	C CAPACITOR	120pF 50V J		R1507	NRSA63J-100X	MG RESISTOR	10Ω 1/16W J	
C3504	NDC31HJ-150X	C CAPACITOR	15pF 50V J		R1508	NRSA63J-100X	MG RESISTOR	10Ω 1/16W J	
C3506	NCF11CZ-475X	C CAPACITOR	4.7uF 16V Z		R1509	NRSA63J-100X	MG RESISTOR	10Ω 1/16W J	
C3507	NCF31CZ-104X	C CAPACITOR	0.1uF 16V Z		R1514	NRSA63J-102X	MG RESISTOR	1kΩ 1/16W J	
C3508	NDC31HJ-101X	C CAPACITOR	100pF 50V J		R1515	NRSA63J-OR0X	MG RESISTOR	0Ω 1/16W J	
C3509	NDC31HJ-121X	C CAPACITOR	120pF 50V J		R1516	NRSA63J-682X	MG RESISTOR	6.8kΩ 1/16W J	
C3510	NDC31HJ-150X	C CAPACITOR	15pF 50V J		R1517	NRSA63J-OR0X	MG RESISTOR	0Ω 1/16W J	
C3512	NCF11CZ-475X	C CAPACITOR	4.7uF 16V Z		R1518	NRSA63J-682X	MG RESISTOR	6.8kΩ 1/16W J	
C3513	NCF31CZ-104X	C CAPACITOR	0.1uF 16V Z		R1519	NRSA63J-OR0X	MG RESISTOR	0Ω 1/16W J	
C3514	NDC31HJ-101X	C CAPACITOR	100pF 50V J		R1520	NRSA63J-221X	MG RESISTOR	220Ω 1/16W J	
C3515	NDC31HJ-121X	C CAPACITOR	120pF 50V J		R1521	NRSA63J-221X	MG RESISTOR	220Ω 1/16W J	
C3516	NDC31HJ-150X	C CAPACITOR	15pF 50V J		R1522	NRSA63J-221X	MG RESISTOR	220Ω 1/16W J	
C3518	NCF11CZ-475X	C CAPACITOR	4.7uF 16V Z		R1523	NRSA63J-682X	MG RESISTOR	6.8kΩ 1/16W J	
C3519	QENC1CM-336Z	BP E CAPACITOR	33uF 16V M		R1524	NRSA63J-221X	MG RESISTOR	220Ω 1/16W J	
C3520	QENC1CM-336Z	BP E CAPACITOR	33uF 16V M		R1525	NRSA63J-682X	MG RESISTOR	6.8kΩ 1/16W J	
C3521	QENC1CM-336Z	BP E CAPACITOR	33uF 16V M		R1526	NRSA63J-682X	MG RESISTOR	6.8kΩ 1/16W J	
C6001	QENC1HM-106Z	BP E CAPACITOR	10uF 50V M		R1527	NRSA63J-221X	MG RESISTOR	220Ω 1/16W J	
C6002	QENC1HM-106Z	BP E CAPACITOR	10uF 50V M		R1528	NRSA63J-682X	MG RESISTOR	6.8kΩ 1/16W J	
C6003	QETN1HM-106Z	E CAPACITOR	10uF 50V M		R1529	NRSA63J-221X	MG RESISTOR	220Ω 1/16W J	
C6004	QETN1HM-106Z	E CAPACITOR	10uF 50V M		R1530	NRSA63J-102X	MG RESISTOR	1kΩ 1/16W J	
C6005	NCB31HK-472X	C CAPACITOR	4700pF 50V K		R1533	NRSA63J-221X	MG RESISTOR	220Ω 1/16W J	
C6006	NCB31CK-273X	C CAPACITOR	0.027uF 16V K		R1534	NRSA63J-682X	MG RESISTOR	6.8kΩ 1/16W J	
C6007	QETN1HM-106Z	E CAPACITOR	10uF 50V M		R1535	NRSA63J-221X	MG RESISTOR	220Ω 1/16W J	
C6008	QETN1HM-105Z	E CAPACITOR	1uF 50V M		R1536	NRSA63J-682X	MG RESISTOR	6.8kΩ 1/16W J	
C6009	QETN1CM-107Z	E CAPACITOR	100uF 16V M		R1537	NRSA63J-221X	MG RESISTOR	220Ω 1/16W J	
C6010	QETN1HM-106Z	E CAPACITOR	10uF 50V M		R1538	NRSA63J-221X	MG RESISTOR	220Ω 1/16W J	
R0511	NRSA63J-OR0X	MG RESISTOR	0Ω 1/16W J		R1539	NRSA63J-682X	MG RESISTOR	6.8kΩ 1/16W J	
R0606	NRSA63J-OR0X	MG RESISTOR	0Ω 1/16W J		R1543	NRSA63J-100X	MG RESISTOR	10Ω 1/16W J	
R0705	NRSA63J-103X	MG RESISTOR	10kΩ 1/16W J		R1547	NRSA63J-OR0X	MG RESISTOR	0Ω 1/16W J	
R0706	NRSA63J-103X	MG RESISTOR	10kΩ 1/16W J		R1548	NRSA63J-OR0X	MG RESISTOR	0Ω 1/16W J	
R1097	NRSA63J-102X	MG RESISTOR	1kΩ 1/16W J		R1549	NRSA63J-OR0X	MG RESISTOR	0Ω 1/16W J	
R1102	NRSA63J-221X	MG RESISTOR	220Ω 1/16W J		R1550	NRSA63J-102X	MG RESISTOR	1kΩ 1/16W J	
R1103	NRSA63J-221X	MG RESISTOR	220Ω 1/16W J		R1551	NRSA63J-OR0X	MG RESISTOR	0Ω 1/16W J	
R1105	NRSA63J-103X	MG RESISTOR	10kΩ 1/16W J		R1552	NRSA63J-102X	MG RESISTOR	1kΩ 1/16W J	
R1106	NRSA63J-103X	MG RESISTOR	10kΩ 1/16W J		R1571	NRSA63J-OR0X	MG RESISTOR	0Ω 1/16W J	
R1119	NRSA63J-103X	MG RESISTOR	10kΩ 1/16W J		R1577	NRSA63J-221X	MG RESISTOR	220Ω 1/16W J	
R1120	NRSA63J-103X	MG RESISTOR	10kΩ 1/16W J		R1578	NRSA63J-682X	MG RESISTOR	6.8kΩ 1/16W J	
R1121	NRSA63J-OR0X	MG RESISTOR	0Ω 1/16W J		R1579	NRSA63J-221X	MG RESISTOR	220Ω 1/16W J	
R1125	NRSA63J-OR0X	MG RESISTOR	0Ω 1/16W J		R1582	NRSA63J-OR0X	MG RESISTOR	0Ω 1/16W J	
R1126	NRSA63J-103X	MG RESISTOR	10kΩ 1/16W J		R1598	NRSA63J-224X	MG RESISTOR	220kΩ 1/16W J	
R1127	NRSA63J-OR0X	MG RESISTOR	0Ω 1/16W J		R1599	NRSA63J-224X	MG RESISTOR	220kΩ 1/16W J	
R1128	NRSA63J-OR0X	MG RESISTOR	0Ω 1/16W J		R1611	NRSA63J-563X	MG RESISTOR	56kΩ 1/16W J	
R1132	NRSA63J-OR0X	MG RESISTOR	0Ω 1/16W J		R1612	NRSA63J-563X	MG RESISTOR	56kΩ 1/16W J	
R1133	NRSA63J-OR0X	MG RESISTOR	0Ω 1/16W J		R1613	NRSA63J-102X	MG RESISTOR	1kΩ 1/16W J	
R1134	NRSA63J-103X	MG RESISTOR	10kΩ 1/16W J		R1614	NRSA63J-104X	MG RESISTOR	100kΩ 1/16W J	
R1135	NRSA63J-273X	MG RESISTOR	27kΩ 1/16W J		R1615	NRSA63J-563X	MG RESISTOR	56kΩ 1/16W J	
R1202	NRSA63J-101X	MG RESISTOR	100Ω 1/16W J		R1616	NRSA63J-153X	MG RESISTOR	15kΩ 1/16W J	
R1203	NRSA63J-101X	MG RESISTOR	100Ω 1/16W J		R1619	NRSA63J-OR0X	MG RESISTOR	0Ω 1/16W J	
R1213	NRSA63J-101X	MG RESISTOR	100Ω 1/16W J		R1641	NRSA63J-102X	MG RESISTOR	1kΩ 1/16W J	
R1214	NRSA63J-101X	MG RESISTOR	100Ω 1/16W J		R1642	NRSA63J-223X	MG RESISTOR	22kΩ 1/16W J	
R1218	NRSA63J-822X	MG RESISTOR	8.2kΩ 1/16W J		R1643	NRSA63J-223X	MG RESISTOR	22kΩ 1/16W J	
R1219	NRSA63J-331X	MG RESISTOR	330Ω 1/16W J		R1646	NRSA63J-OR0X	MG RESISTOR	0Ω 1/16W J	

△Ref No.	Part No.	Part Name	Description	Local	△Ref No.	Part No.	Part Name	Description	Local
R1647	NRSA63J-0R0X	MG RESISTOR	0Ω 1/16W J		R2325	NRSA63J-750X	MG RESISTOR	75Ω 1/16W J	
R1649	NRSA63J-103X	MG RESISTOR	10kΩ 1/16W J		R2328	NRSA63J-750X	MG RESISTOR	75Ω 1/16W J	
R1651	NRSA63J-102X	MG RESISTOR	1kΩ 1/16W J		R2330	NRSA63J-0R0X	MG RESISTOR	0Ω 1/16W J	
R1652	NRSA63J-223X	MG RESISTOR	22kΩ 1/16W J		R2345	NRSA63J-750X	MG RESISTOR	75Ω 1/16W J	
R1653	NRSA63J-223X	MG RESISTOR	22kΩ 1/16W J		R2348	NRSA63J-750X	MG RESISTOR	75Ω 1/16W J	
R1656	NRSA63J-0R0X	MG RESISTOR	0Ω 1/16W J		R2350	NRSA63J-0R0X	MG RESISTOR	0Ω 1/16W J	
R1658	NRSA63J-103X	MG RESISTOR	10kΩ 1/16W J		R3001	NRSA63J-123X	MG RESISTOR	12kΩ 1/16W J	
R1659	NRSA63J-103X	MG RESISTOR	10kΩ 1/16W J		R3002	NRSA63J-333X	MG RESISTOR	33kΩ 1/16W J	
R1661	NRSA63J-0R0X	MG RESISTOR	0Ω 1/16W J		R3003	NRSA63J-101X	MG RESISTOR	100Ω 1/16W J	
R1663	NRSA63J-0R0X	MG RESISTOR	0Ω 1/16W J		R3004	NRSA63J-332X	MG RESISTOR	3.3kΩ 1/16W J	
R1665	NRSA63J-222X	MG RESISTOR	2.2kΩ 1/16W J		R3005	NRSA63J-181X	MG RESISTOR	180Ω 1/16W J	
R1666	NRSA63J-682X	MG RESISTOR	6.8kΩ 1/16W J		R3006	NRSA63J-152X	MG RESISTOR	1.5kΩ 1/16W J	
R1667	NRSA63J-222X	MG RESISTOR	2.2kΩ 1/16W J		R3007	NRSA63J-102X	MG RESISTOR	1kΩ 1/16W J	
R1668	NRSA63J-222X	MG RESISTOR	2.2kΩ 1/16W J		R3008	NRSA63J-0R0X	MG RESISTOR	0Ω 1/16W J	
R1669	NRSA63J-682X	MG RESISTOR	6.8kΩ 1/16W J		R3009	NRSA63D-102X	MG RESISTOR	1kΩ 1/16W D	
R1670	NRSA63J-222X	MG RESISTOR	2.2kΩ 1/16W J		R3010	NRSA63J-152X	MG RESISTOR	1.5kΩ 1/16W J	
R1671	QRJ146J-2R2X	UNF C RESISTOR	2.2Ω 1/4W J		R3011	NRSA63J-0R0X	MG RESISTOR	0Ω 1/16W J	
R1672	QRJ146J-2R2X	UNF C RESISTOR	2.2Ω 1/4W J		R3012	NRSA63J-123X	MG RESISTOR	12kΩ 1/16W J	
R1673	QRK126J-102X	UNF C RESISTOR	1kΩ 1/2W J		R3013	NRSA63J-333X	MG RESISTOR	33kΩ 1/16W J	
R1674	QRK126J-102X	UNF C RESISTOR	1kΩ 1/2W J		R3014	NRSA63J-101X	MG RESISTOR	100Ω 1/16W J	
R1680	NRSA63J-822X	MG RESISTOR	8.2kΩ 1/16W J		R3015	NRSA63J-332X	MG RESISTOR	3.3kΩ 1/16W J	
R1681	NRSA63J-473X	MG RESISTOR	47kΩ 1/16W J		R3016	NRSA63J-181X	MG RESISTOR	180Ω 1/16W J	
R1682	NRSA63J-103X	MG RESISTOR	10kΩ 1/16W J		R3017	NRSA63J-152X	MG RESISTOR	1.5kΩ 1/16W J	
R1691	NRSA63J-104X	MG RESISTOR	100kΩ 1/16W J		R3018	NRSA63J-102X	MG RESISTOR	1kΩ 1/16W J	
R1693	NRSA63J-0R0X	MG RESISTOR	0Ω 1/16W J		R3019	NRSA63J-0R0X	MG RESISTOR	0Ω 1/16W J	
R1702	NRSA63J-101X	MG RESISTOR	100Ω 1/16W J		R3020	NRSA63D-102X	MG RESISTOR	1kΩ 1/16W D	
R1703	NRSA63J-101X	MG RESISTOR	100Ω 1/16W J		R3021	NRSA63J-152X	MG RESISTOR	1.5kΩ 1/16W J	
R1891	NRSA63J-221X	MG RESISTOR	220Ω 1/16W J		R3022	NRSA63J-0R0X	MG RESISTOR	0Ω 1/16W J	
R1892	NRSA63J-221X	MG RESISTOR	220Ω 1/16W J		R3023	NRSA63J-473X	MG RESISTOR	47kΩ 1/16W J	
R1894	NRSA63J-221X	MG RESISTOR	220Ω 1/16W J		R3024	NRSA63J-223X	MG RESISTOR	22kΩ 1/16W J	
R1895	NRSA63J-221X	MG RESISTOR	220Ω 1/16W J		R3025	NRSA63J-223X	MG RESISTOR	22kΩ 1/16W J	
R1896	NRSA63J-563X	MG RESISTOR	56kΩ 1/16W J		R3026	NRSA63J-223X	MG RESISTOR	22kΩ 1/16W J	
R1897	NRSA63J-563X	MG RESISTOR	56kΩ 1/16W J		R3027	NRSA63J-471X	MG RESISTOR	470Ω 1/16W J	
R1910	NRSA63J-221X	MG RESISTOR	220Ω 1/16W J		R3028	NRSA63J-471X	MG RESISTOR	470Ω 1/16W J	
R1911	NRSA63J-103X	MG RESISTOR	10kΩ 1/16W J		R3029	NRSA63J-471X	MG RESISTOR	470Ω 1/16W J	
R1912	NRSA63J-221X	MG RESISTOR	220Ω 1/16W J		R3030	NRSA63J-471X	MG RESISTOR	470Ω 1/16W J	
R1913	NRSA63J-332X	MG RESISTOR	3.3kΩ 1/16W J		R3031	NRSA63J-0R0X	MG RESISTOR	0Ω 1/16W J	
R1914	NRSA63J-473X	MG RESISTOR	47kΩ 1/16W J		R3032	NRSA63J-0R0X	MG RESISTOR	0Ω 1/16W J	
△R1941	QRK126J-5R6X	UNF C RESISTOR	5.6Ω 1/2W J		R3033	NRSA63J-0R0X	MG RESISTOR	0Ω 1/16W J	
R1942	NRSA63J-152X	MG RESISTOR	1.5kΩ 1/16W J		R3035	NRSA63J-0R0X	MG RESISTOR	0Ω 1/16W J	
R1943	NRSA63J-152X	MG RESISTOR	1.5kΩ 1/16W J		R3036	NRSA63J-0R0X	MG RESISTOR	0Ω 1/16W J	
△R1944	QRK126J-220X	UNF C RESISTOR	22Ω 1/2W J		R3037	NRSA63J-0R0X	MG RESISTOR	0Ω 1/16W J	
R1945	NRSA63J-102X	MG RESISTOR	1kΩ 1/16W J		R3039	NRSA63J-101X	MG RESISTOR	100Ω 1/16W J	
R1946	NRSA63J-102X	MG RESISTOR	1kΩ 1/16W J		R3040	NRSA63J-101X	MG RESISTOR	100Ω 1/16W J	
R1947	NRSA63J-152X	MG RESISTOR	1.5kΩ 1/16W J		R3042	NRSA63J-103X	MG RESISTOR	10kΩ 1/16W J	
R1949	NRSA63D-122X	MG RESISTOR	1.2kΩ 1/16W D		R3043	NRSA63J-0R0X	MG RESISTOR	0Ω 1/16W J	
R1950	NRSA63J-822X	MG RESISTOR	8.2kΩ 1/16W J		R3044	NRSA63J-0R0X	MG RESISTOR	0Ω 1/16W J	
R1952	NRSA63J-331X	MG RESISTOR	330Ω 1/16W J		R3045	NRSA63J-101X	MG RESISTOR	100Ω 1/16W J	
R1953	NRSA63J-224X	MG RESISTOR	220kΩ 1/16W J		R3047	NRSA63J-221X	MG RESISTOR	220Ω 1/16W J	
R1954	NRSA63J-0R0X	MG RESISTOR	0Ω 1/16W J		R3048	NRSA63J-331X	MG RESISTOR	330Ω 1/16W J	
R1959	NRSA63D-182X	MG RESISTOR	1.8kΩ 1/16W D		R3049	NRSA63J-104X	MG RESISTOR	100kΩ 1/16W J	
R1961	NRSA63J-102X	MG RESISTOR	1kΩ 1/16W J		R3050	NRSA63J-563X	MG RESISTOR	56kΩ 1/16W J	
R1962	NRSA63J-682X	MG RESISTOR	6.8kΩ 1/16W J		R3051	NRSA63J-123X	MG RESISTOR	12kΩ 1/16W J	
R1963	NRSA63J-182X	MG RESISTOR	1.8kΩ 1/16W J		R3052	NRSA63J-331X	MG RESISTOR	330Ω 1/16W J	
R1964	NRSA63J-223X	MG RESISTOR	22kΩ 1/16W J		R3053	NRSA63J-123X	MG RESISTOR	12kΩ 1/16W J	
R1965	NRSA63J-102X	MG RESISTOR	1kΩ 1/16W J		R3054	NRSA63J-103X	MG RESISTOR	10kΩ 1/16W J	
R1966	NRSA63J-123X	MG RESISTOR	12kΩ 1/16W J		R3055	NRSA63J-682X	MG RESISTOR	6.8kΩ 1/16W J	
R1967	NRSA63J-122X	MG RESISTOR	1.2kΩ 1/16W J		R3056	NRSA02J-0R0X	MG RESISTOR	0Ω 1/10W J	
R1968	NRSA63J-102X	MG RESISTOR	1kΩ 1/16W J		R3057	NRSA02J-0R0X	MG RESISTOR	0Ω 1/10W J	
R1969	NRSA63J-102X	MG RESISTOR	1kΩ 1/16W J		R3058	NRSA63J-102X	MG RESISTOR	1kΩ 1/16W J	
R1972	QRT039J-8R2	MF RESISTOR	8.2Ω 3W J		R3059	NRSA63J-102X	MG RESISTOR	1kΩ 1/16W J	
R1973	QRL039J-100	OMF RESISTOR	10Ω 3W J		R3060	NRSA63J-182X	MG RESISTOR	1.8kΩ 1/16W J	
R1981	QRK126J-181X	UNF C RESISTOR	180Ω 1/2W J		R3061	NRSA63J-0R0X	MG RESISTOR	0Ω 1/16W J	
R1982	NRSA63D-122X	MG RESISTOR	1.2kΩ 1/16W D		R3062	NRSA63J-0R0X	MG RESISTOR	0Ω 1/16W J	
R1983	NRSA63D-122X	MG RESISTOR	1.2kΩ 1/16W D		R3063	NRSA63J-0R0X	MG RESISTOR	0Ω 1/16W J	
R1984	NRSA63J-822X	MG RESISTOR	8.2kΩ 1/16W J		R3064	NRSA63J-0R0X	MG RESISTOR	0Ω 1/16W J	
R1985	NRSA63J-0R0X	MG RESISTOR	0Ω 1/16W J		R3065	NRSA63J-101X	MG RESISTOR	100Ω 1/16W J	
R1986	QRK126J-331X	UNF C RESISTOR	330Ω 1/2W J		R3066	NRSA63J-101X	MG RESISTOR	100Ω 1/16W J	
R1987	NRSA63J-224X	MG RESISTOR	220kΩ 1/16W J		R3071	NRSA63J-0R0X	MG RESISTOR	0Ω 1/16W J	
R1991	NRSA63J-471X	MG RESISTOR	470Ω 1/16W J		R3072	NRSA63J-0R0X	MG RESISTOR	0Ω 1/16W J	
R1992	NRSA63J-182X	MG RESISTOR	1.8kΩ 1/16W J		R3073	NRSA63J-0R0X	MG RESISTOR	0Ω 1/16W J	
R2102	NRSA63J-750X	MG RESISTOR	75Ω 1/16W J		R3074	NRSA63J-0R0X	MG RESISTOR	0Ω 1/16W J	
R2103	NRSA63J-750X	MG RESISTOR	75Ω 1/16W J		R3075	NRSA63J-0R0X	MG RESISTOR	0Ω 1/16W J	
R2104	NRSA63J-750X	MG RESISTOR	75Ω 1/16W J		R3076	NRSA63J-0R0X	MG RESISTOR	0Ω 1/16W J	
R2105	NRSA63J-224X	MG RESISTOR	220kΩ 1/16W J		R3077	NRSA63J-0R0X	MG RESISTOR	0Ω 1/16W J	
R2106	NRSA63J-224X	MG RESISTOR	220kΩ 1/16W J		R3078	NRSA63J-0R0X	MG RESISTOR	0Ω 1/16W J	
R2122	NRSA63J-750X	MG RESISTOR	75Ω 1/16W J		R3079	NRSA63J-0R0X	MG RESISTOR	0Ω 1/16W J	
R2123	NRSA63J-750X	MG RESISTOR	75Ω 1/16W J		R3080	NRSA63J-0R0X	MG RESISTOR	0Ω 1/16W J	
R2125	NRSA63J-750X	MG RESISTOR	75Ω 1/16W J		R3081	NRSA63J-0R0X	MG RESISTOR	0Ω 1/16W J	
R2126	NRSA63J-224X	MG RESISTOR	220kΩ 1/16W J		R3082	NRSA63J-0R0X	MG RESISTOR	0Ω 1/16W J	
R2127	NRSA63J-224X	MG RESISTOR	220kΩ 1/16W J		R3501	NRSA63J-0R0X	MG RESISTOR	0Ω 1/16W J	
R2144	NRSA63J-750X	MG RESISTOR	75Ω 1/16W J		R3502	NRSA63J-101X	MG RESISTOR	100Ω 1/16W J	
R2145	NRSA63J-224X	MG RESISTOR	220kΩ 1/16W J		R3503	NRSA63J-182X	MG RESISTOR	1.8kΩ 1/16W J	
R2146	NRSA63J-224X	MG RESISTOR	220kΩ 1/16W J		R3504	NRSA63J-181X	MG RESISTOR	180Ω 1/16W J	
R2305	NRSA63J-750X	MG RESISTOR	75Ω 1/16W J		R3505	NRSA63J-103X	MG RESISTOR	10kΩ 1/16W J	
R2308	NRSA63J-750X	MG RESISTOR	75Ω 1/16W J		R3507	NRSA63J-101X	MG RESISTOR	100Ω 1/16W J	
R2310	NRSA63J-0R0X	MG RESISTOR	0Ω 1/16W J		R3508	NRSA63J-0R0X	MG RESISTOR	0Ω 1/16W J	

ΔRef No.	Part No.	Part Name	Description	Local	ΔRef No.	Part No.	Part Name	Description	Local
D506	FMV-3FU-F1	SI DIODE			C907	QEZ0572-128	E CAPACITOR	1200uF 200V M	
D521	MTZJ12C-T2	Z DIODE			ΔC908	QCZ9054-102	C CAPACITOR	1000pF AC250V Z	
D522	1SS81-T5	SI DIODE			C912	QCZ0340-332	C CAPACITOR	3300pF 2kV K	
D531	RGP10J-5025-T3	SI DIODE			C913	QFLC1HJ-471Z	M CAPACITOR	470pF 50V J	
D561	MTZJ7.5S-T2	Z DIODE			C914	QETN1HM-227Z	E CAPACITOR	220uF 50V M	
D562	MTZJ7.5S-T2	Z DIODE			C916	QCS31HJ-331Z	C CAPACITOR	330pF 50V J	
D583	1SS133-T2	SI DIODE			C917	QFN31HJ-182Z	M CAPACITOR	1800pF 50V J	
D801	EU2-T3	SI DIODE			C918	QFV41HJ-104Z	MF CAPACITOR	0.1uF 50V J	
D802	EU2-T3	SI DIODE			C919	QFP32GJ-103	PP CAPACITOR	0.01uF 400V J	
D803	RU30A-F1	SI DIODE			C920	QCZ0115-151Z	C CAPACITOR	150pF 2kV K	
D811	1SR124-400A-T2	SI DIODE			C930	QCS31HJ-181Z	C CAPACITOR	180pF 50V J	
ΔD901	RBV-606	BRIDGE DIODE			C931	QEZ0203-227	E CAPACITOR	220uF 160V M	
D910	MA700A-T2	SB DIODE			C932	QETM1EM-228	E CAPACITOR	2200uF 25V M	
ΔD911	RGP10J-5025-T3	SI DIODE			C934	QETM1VM-228	E CAPACITOR	2200uF 35V M	
D912	AU01Z-T2	FR DIODE			C935	QETM1VM-228	E CAPACITOR	2200uF 35V M	
D913	AU01Z-T2	FR DIODE			C937	QCZ0340-152	C CAPACITOR	1500pF 2kV K	
D914	1SS133-T2	SI DIODE			C942	QETN1HM-105Z	E CAPACITOR	1uF 50V M	
D915	SARS01-T2	SI DIODE			C943	QETN1CM-477Z	E CAPACITOR	470uF 16V M	
D916	1SS133-T2	SI DIODE			C944	QETN1CM-227Z	E CAPACITOR	220uF 16V M	
D917	MTZJ27B-T2	Z DIODE			C945	QETM1VM-228	E CAPACITOR	2200uF 35V M	
D918	MTZJ5.1B-T2	Z DIODE			C946	QETN1VM-108Z	E CAPACITOR	1000uF 35V M	
D920	1SS133-T2	SI DIODE			C954	QETN1HM-226Z	E CAPACITOR	22uF 50V M	
D931	RU4AM-F1	SI DIODE			C971	QETN1CM-107Z	E CAPACITOR	100uF 16V M	
D932	RU30A-F1	SI DIODE			C972	QETN1EM-476Z	E CAPACITOR	47uF 25V M	
D934	RU4AM-F1	SI DIODE			C973	QETN1HM-106Z	E CAPACITOR	10uF 50V M	
D935	RU3YX-LFC4	SI DIODE			ΔC993	QCZ9074-472	C CAPACITOR	4700pF AC250 M	
D936	FMX-G12S	SI DIODE			ΔC994	QCZ9074-472	C CAPACITOR	4700pF AC250 M	
D937	EU2-T3	SI DIODE			ΔC995	QCZ9074-472	C CAPACITOR	4700pF AC250 M	
D938	FMX-G12S	SI DIODE			ΔC997	QCZ9074-472	C CAPACITOR	4700pF AC250 M	
D941	MTZJ33B-T2	Z DIODE			ΔC998	QCZ9074-472	C CAPACITOR	4700pF AC250 M	
D952	MTZJ12C-T2	Z DIODE			ΔC999	QCZ9074-472	C CAPACITOR	4700pF AC250 M	
D953	1SS244-T2	SI DIODE							
D954	1SS133-T2	SI DIODE			R201	QRA14CF-1803Y	CMF RESISTOR	180kΩ 1/4W F	
D956	1SS133-T2	SI DIODE			R202	QRA14CF-2703Y	CMF RESISTOR	270kΩ 1/4W F	
D958	MTZJ6.8C-T2	Z DIODE			R203	QRA14CF-2703Y	CMF RESISTOR	270kΩ 1/4W F	
D959	1SS133-T2	SI DIODE			R401	QRE141J-562Y	C RESISTOR	5.6kΩ 1/4W J	
D972	MTZJ15B-T2	Z DIODE			R402	QRE141J-103Y	C RESISTOR	10kΩ 1/4W J	
D973	1SS133-T2	SI DIODE			R403	QRE121J-180Y	C RESISTOR	18Ω 1/2W J	
					R404	QRA14CF-6801Y	CMF RESISTOR	6.8kΩ 1/4W F	
ΔPC921	PC123FY2	PHOTO COUPLER			R405	QRA14CF-6801Y	CMF RESISTOR	6.8kΩ 1/4W F	
					R406	QRA14CF-1002Y	CMF RESISTOR	10kΩ 1/4W F	
C201	QFV21HJ-334Z	MF CAPACITOR	0.33uF 50V J		R407	QRA14CF-8200Y	CMF RESISTOR	820Ω 1/4W F	
C401	QETN1VM-108Z	E CAPACITOR	1000uF 35V M		R408	QRA14CF-8200Y	CMF RESISTOR	820Ω 1/4W F	
C402	QFN31HJ-152Z	M CAPACITOR	1500pF 50V J		R409	QRL029J-221	OMF RESISTOR	220Ω 2W J	
C403	QCS32HJ-180Z	C CAPACITOR	18pF 500V J		R410	QRT029J-2R2	MF RESISTOR	2.2Ω 2W J	
C404	QFLC2AJ-104Z	M CAPACITOR	0.1uF 100V J		R411	QRE121J-8R2Y	C RESISTOR	8.2Ω 1/2W J	
C405	QFV21HJ-104Z	MF CAPACITOR	0.1uF 50V J		R412	QRE141J-472Y	C RESISTOR	4.7kΩ 1/4W J	
C406	QETN1VM-107Z	E CAPACITOR	100uF 35V M		R413	QRE141J-104Y	C RESISTOR	100kΩ 1/4W J	
C407	QETN1HM-105Z	E CAPACITOR	1uF 50V M		R415	QRE141J-154Y	C RESISTOR	150kΩ 1/4W J	
C408	QFLC2AJ-104Z	M CAPACITOR	0.1uF 100V J		R416	QRE141J-103Y	C RESISTOR	10kΩ 1/4W J	
C409	QETN1HM-106Z	E CAPACITOR	10uF 50V M		R418	QRE141J-222Y	C RESISTOR	2.2kΩ 1/4W J	
C411	QCB31HK-222Z	C CAPACITOR	2200pF 50V K		R420	QRE141J-101Y	C RESISTOR	100Ω 1/4W J	
C412	QENC1CM-226Z	BP E CAPACITOR	22uF 16V M		R421	QRE141J-682Y	C RESISTOR	6.8kΩ 1/4W J	
C413	QENC1CM-226Z	BP E CAPACITOR	22uF 16V M		R430	QRE121J-101Y	C RESISTOR	100Ω 1/2W J	
C416	QCB31HK-682Z	C CAPACITOR	6800pF 50V K		R431	QRE121J-101Y	C RESISTOR	100Ω 1/2W J	
C417	QETN1VM-107Z	E CAPACITOR	100uF 35V M		R432	QRE121J-101Y	C RESISTOR	100Ω 1/2W J	
C501	QCB32HK-331Z	C CAPACITOR	330pF 500V K		R501	QRE141J-471Y	C RESISTOR	470Ω 1/4W J	
C502	QFN32DK-103	M CAPACITOR	0.01uF 200V K		R502	QRE121J-123Y	C RESISTOR	12kΩ 1/2W J	
C503	QFV21HJ-224Z	MF CAPACITOR	0.22uF 50V J		R503	QRE121J-152Y	C RESISTOR	1.5kΩ 1/2W J	
ΔC506	QFZ0122-452	MPP CAPACITOR	4500pF 1.8kV H		R504	QRL039J-272	OMF RESISTOR	2.7kΩ 3W J	
ΔC507	QFZ0122-392	MPP CAPACITOR	3900pF 1.8kV H		R505	QRL039J-272	OMF RESISTOR	2.7kΩ 3W J	
C508	QFP32JJ-153	PP CAPACITOR	0.015uF 630V J		R506	QRE121J-5R6Y	C RESISTOR	5.6Ω 1/2W J	
ΔC509	QFZ0128-154	MPP CAPACITOR	0.15uF 250V J		R512	QRL029J-331	OMF RESISTOR	330Ω 2W J	
ΔC510	QFZ0197-154	MPP CAPACITOR	0.15uF 250V J		R521	QRE141J-103Y	C RESISTOR	10kΩ 1/4W J	
ΔC511	QFZ0128-254	MPP CAPACITOR	0.25uF DC400V H		R522	QRE141J-103Y	C RESISTOR	10kΩ 1/4W J	
C513	QEZ0414-226	BP E CAPACITOR	22uF		R523	QRE141J-822Y	C RESISTOR	8.2kΩ 1/4W J	
C514	QCS32HJ-561	C CAPACITOR	560pF 500V J		R524	QRE141J-682Y	C RESISTOR	6.8kΩ 1/4W J	
C521	QCZ0122-681	C CAPACITOR	680pF 2kV K		R525	QRE141J-102Y	C RESISTOR	1kΩ 1/4W J	
C522	QCZ0122-681	C CAPACITOR	680pF 2kV K		R526	QRE141J-470Y	C RESISTOR	47Ω 1/4W J	
C523	QFN32AJ-682Z	M CAPACITOR	6800pF 100V J		R531	QRL029J-102	OMF RESISTOR	1kΩ 2W J	
C524	QCS31HJ-470Z	C CAPACITOR	47pF 50V J		R532	QRL029J-820	OMF RESISTOR	82Ω 2W J	
C525	QCB31HK-682Z	C CAPACITOR	6800pF 50V K		R533	QRL029J-820	OMF RESISTOR	82Ω 2W J	
C527	QETN1EM-476Z	E CAPACITOR	47uF 25V M		R534	QRE141J-102Y	C RESISTOR	1kΩ 1/4W J	
C533	QCS32HJ-561	C CAPACITOR	560pF 500V J		R535	QRE141J-470Y	C RESISTOR	47Ω 1/4W J	
C534	QFN32DK-222Z	M CAPACITOR	2200pF 200V K		R536	QRE141J-470Y	C RESISTOR	47Ω 1/4W J	
C536	QFN32DK-222Z	M CAPACITOR	2200pF 200V K		R561	QRA14CF-4701Y	CMF RESISTOR	4.7kΩ 1/4W F	
C562	QETN1HM-475Z	E CAPACITOR	4.7uF 50V M		R562	QRA14CF-5601Y	CMF RESISTOR	5.6kΩ 1/4W F	
C591	QEZ0203-107	E CAPACITOR	100uF 160V M		R565	QRE141J-223Y	C RESISTOR	22kΩ 1/4W J	
C701	QFLC2AJ-273Z	M CAPACITOR	0.027uF 100V J		R591	QRF154K-3R3	UNF WW RESISTOR	3.3Ω 15W K	
C801	QETN1EM-108Z	E CAPACITOR	1000uF 25V M		R701	QRG01GJ-220	OMF RESISTOR	22Ω 1W J	
C802	QETN1EM-108Z	E CAPACITOR	1000uF 25V M		R702	QRE121J-123Y	C RESISTOR	12kΩ 1/2W J	
C803	QETM2EM-336	E CAPACITOR	33uF 250V M		R703	QRZ0056-103Z	COMP RESISTOR	10kΩ 1/2W K	
C811	QETN1VM-107Z	E CAPACITOR	100uF 35V M		R901	QRF154K-R51	UNF WW RESISTOR	0.51Ω 15W K	
ΔC902	QFZ9072-104	MM CAPACITOR	0.1uF AC250V K		R902	QRG01GJ-470	OMF RESISTOR	47Ω 1W J	
ΔC904	QCZ9054-102	C CAPACITOR	1000pF AC250V Z		R903	QRF154K-R51	UNF WW RESISTOR	0.51Ω 15W K	
ΔC905	QCZ9054-102	C CAPACITOR	1000pF AC250V Z		R910	QRE121J-152Y	C RESISTOR	1.5kΩ 1/2W J	
ΔC906	QCZ9054-102	C CAPACITOR	1000pF AC250V Z		R911	QRL029J-183	OMF RESISTOR	18kΩ 2W J	

△Ref No.	Part No.	Part Name	Description	Local	△Ref No.	Part No.	Part Name	Description	Local
R912	QRT029J-R18	MF RESISTOR	0.18Ω 2W J		D3102	1SR124-400A-T2	SI DIODE		
R913	QRT029J-R18	MF RESISTOR	0.18Ω 2W J		C3002	QETN2EM-106Z	E CAPACITOR	10uF 250V M	
R914	QRK126J-681X	UNF C RESISTOR	680Ω 1/2W J		C3006	QFZ9027-472	MM CAPACITOR	4700pF 1000V K	
R916	QRT029J-R22	MF RESISTOR	0.22Ω 2W J		C3007	QETN2EM-106Z	E CAPACITOR	10uF 250V M	
R917	QRK126J-332X	UNF C RESISTOR	3.3kΩ 1/2W J		C3101	QETN1HM-106Z	E CAPACITOR	10uF 50V M	
R918	QRE121J-152Y	C RESISTOR	1.5kΩ 1/2W J		C3102	NCB31HK-103X	C CAPACITOR	0.01uF 50V K	
R920	QRE121J-684Y	C RESISTOR	680kΩ 1/2W J		C3103	QETN1EM-476Z	E CAPACITOR	47uF 25V M	
R941	QRL039J-333	OMF RESISTOR	33kΩ 3W J		C3106	QFK62EK-104Z	MM CAPACITOR	0.1uF 250V K	
R944	QRE121J-222Y	C RESISTOR	2.2kΩ 1/2W J		C3107	NDC31HJ-561X	C CAPACITOR	560pF 50V J	
R951	QRE141J-473Y	C RESISTOR	47kΩ 1/4W J		C3108	NDC31HJ-100X	C CAPACITOR	10pF 50V J	
R952	QRE141J-222Y	C RESISTOR	2.2kΩ 1/4W J		R3005	QRE121J-105Y	C RESISTOR	1MΩ 1/2W J	
R953	QRE121J-181Y	C RESISTOR	180Ω 1/2W J		R3006	QRC121K-102Z	COMP RESISTOR	1kΩ 1/2W K	
R954	QRE121J-221Y	C RESISTOR	220Ω 1/2W J		R3008	QRC121K-152Z	COMP RESISTOR	1.5kΩ 1/2W K	
R955	QRT039J-1R0	MF RESISTOR	1Ω 3W J		R3101	NRSA63J-681X	MG RESISTOR	680Ω 1/16W J	
R959	QRE121J-121Y	C RESISTOR	120Ω 1/2W J		R3103	NRSA63J-821X	MG RESISTOR	820Ω 1/16W J	
R960	QRE141J-473Y	C RESISTOR	47kΩ 1/4W J		R3104	QRL039J-473	OMF RESISTOR	47kΩ 3W J	
R961	QRE141J-103Y	C RESISTOR	10kΩ 1/4W J		R3106	NRSA63J-0R0X	MG RESISTOR	0Ω 1/16W J	
R962	QRE141J-472Y	C RESISTOR	4.7kΩ 1/4W J		R3107	NRSA63J-0R0X	MG RESISTOR	0Ω 1/16W J	
R963	QRA14CF-4701Y	CMF RESISTOR	4.7kΩ 1/4W F		R3108	QRC121K-561Z	COMP RESISTOR	560Ω 1/2W K	
R964	QRA14CF-4701Y	CMF RESISTOR	4.7kΩ 1/4W F		R3110	NRSA63J-0R0X	MG RESISTOR	0Ω 1/16W J	
R965	QRE141J-153Y	C RESISTOR	15kΩ 1/4W J		L3002	QQL26AJ-102Z	COIL	1mH J	
R966	QRE141J-473Y	C RESISTOR	47kΩ 1/4W J		CN30RE	QGZ5004C1-02	CONNECTOR	(1-2)	
R967	QRE141J-473Y	C RESISTOR	47kΩ 1/4W J		CN3RGR	QGA2501C5-06Z	CONNECTOR	W-B (1-6)	
R968	QRA14CF-1802Y	CMF RESISTOR	18kΩ 1/4W F		CN3RGN	QJB003-042624	SIN ID C-B WIRE		
R972	QRA14CF-1101Y	CMF RESISTOR	1.1kΩ 1/4W F		CN3RSC	QGZ0017C1-01Z	CONNECTOR	(1-1)	
R973	QRA14CF-7501Y	CMF RESISTOR	7.5kΩ 1/4W F		H3101	LC31150-002A	HEAT SINK/AL-F/		
R975	QRE121J-223Y	C RESISTOR	22kΩ 1/2W J		SG3001	QAF0056-501Z	SURGE ABSORBER	500V M	
R977	QRE141J-473Y	C RESISTOR	47kΩ 1/4W J		△SK3001	CE42535-001J1	C R T SOCKET		
R978	QRE141J-333Y	C RESISTOR	33kΩ 1/4W J						
△R999	QRZ0111-685	C RESISTOR	6.8MΩ 1/2W K						

L501	QQLZ025-180	COIL	18uH	
L502	QQR1230-001	CHOKO COIL		
L504	QQR0915-003	LINEARITY COIL		
L531	QQLZ036-222	COIL	2.2mH J	
L701	QQLZ036-222	COIL	2.2mH J	
L801	QQLZ026-140	COIL	14uH ±7%	
L931	QQL26AK-470Z	COIL	47uH K	
L933	QQL26AK-470Z	COIL	47uH K	
L934	QQLZ018-220	COIL	22uH	
L935	QQL60AK-220	COIL	22uH K	
L936	QQL26AK-220Z	COIL	22uH K	
T501	QQR1111-001	DRIVE TRANSF		
T701	QQR1096-001	DEF TRANSF		
△T921	QQS0133-001	SW TRANSF		

CN001	QGB1506M1-16	CONNECTOR	B-B (1-16)	
CN002	QGB1506M1-16	CONNECTOR	B-B (1-16)	
CN003	QGB1506M1-16	CONNECTOR	B-B (1-16)	
CN010	QGB1505J1-35	CONNECTOR	B-B (1-35)	
△CP934	ICP-N70-T	IC PROTECTOR	2.5A	
△CP936	ICP-N38-Y	IC PROTECTOR	1.5A	
△CP941	ICP-N70-T	IC PROTECTOR	2.5A	
△CP942	ICP-N70-T	IC PROTECTOR	2.5A	
△CP943	ICP-N20-Y	IC PROTECTOR	800mA	
△F905	QMFZ034-5R0Z-J1	FUSE	5A 125V	
△FR801	QRZ9011-1R0	FUSI RESISTOR	1Ω 1/2W J	
△FR802	QRZ9011-1R0	FUSI RESISTOR	1Ω 1/2W J	
△FR811	QRZ9011-4R7	FUSI RESISTOR	4.7Ω 1/2W J	
△FR915	QRZ9017-330	FUSI RESISTOR	33Ω 1/4W J	
H936	CM42862-00J-H	HEAT SINK ASSY		
K401	QQR0621-002Z	FERRITE BEADS		
K501	QQR1139-001	FERRITE BEADS		
K502	QQR1139-001	FERRITE BEADS		
K503	QQR1139-001	FERRITE BEADS		
K504	QQR1139-001	FERRITE BEADS		
K505	QQR1139-001	FERRITE BEADS		
K912	QQR0582-001Z	FERRITE BEADS		
K914	QQR0582-001Z	FERRITE BEADS		
K930	QQR0621-002Z	FERRITE BEADS		
K931	QQR0621-002Z	FERRITE BEADS		
K935	QQR0621-002Z	FERRITE BEADS		
K937	QQR0621-002Z	FERRITE BEADS		
K938	QQR0621-002Z	FERRITE BEADS		
△RY951	QSK0118-001	RELAY		
△RY952	QSK0083-001	RELAY		

R CRT SOCKET PW BOARD ASS'Y (SSB-3168A-M2)

△Ref No.	Part No.	Part Name	Description	Local
△IC3101	TDA6111Q	IC		
D3001	RM2C-LFA1	SI DIODE		
D3101	EU01N-T2	SI DIODE		

G CRT SOCKET PW BOARD ASS'Y (SSB-3268A-M2)

△Ref No.	Part No.	Part Name	Description	Local
△IC3101	TDA6111Q	IC		
D3001	RM2C-LFA1	SI DIODE		
D3101	EU01N-T2	SI DIODE		
D3102	1SR124-400A-T2	SI DIODE		
C3001	QETN2EM-106Z	E CAPACITOR	10uF 250V M	
C3002	QETN2EM-106Z	E CAPACITOR	10uF 250V M	
C3003	QFLC1HJ-223Z	M CAPACITOR	0.022uF 50V J	
C3006	QFZ9027-472	MM CAPACITOR	4700pF 1000V K	
C3007	QETN2EM-106Z	E CAPACITOR	10uF 250V M	
C3101	QETN1HM-106Z	E CAPACITOR	10uF 50V M	
C3102	NCB31HK-103X	C CAPACITOR	0.01uF 50V K	
C3103	QETN1EM-476Z	E CAPACITOR	47uF 25V M	
C3105	NDC31HJ-120X	C CAPACITOR	12pF 50V J	
C3106	QFK62EK-104Z	MM CAPACITOR	0.1uF 250V K	
C3107	NDC31HJ-561X	C CAPACITOR	560pF 50V J	
C3108	NDC31HJ-100X	C CAPACITOR	10pF 50V J	
R3001	NRSA63D-123X	MG RESISTOR	12kΩ 1/16W D	
R3002	NRSA63D-223X	MG RESISTOR	22kΩ 1/16W D	
R3003	NRSA63D-472X	MG RESISTOR	4.7kΩ 1/16W D	
R3005	QRE121J-105Y	C RESISTOR	1MΩ 1/2W J	
R3006	QRC121K-102Z	COMP RESISTOR	1kΩ 1/2W K	
R3008	QRC121K-152Z	COMP RESISTOR	1.5kΩ 1/2W K	
R3101	NRSA63J-681X	MG RESISTOR	680Ω 1/16W J	
R3102	NRSA63J-182X	MG RESISTOR	1.8kΩ 1/16W J	
R3103	NRSA63J-821X	MG RESISTOR	820Ω 1/16W J	
R3104	QRL039J-473	OMF RESISTOR	47kΩ 3W J	
R3106	NRSA63J-0R0X	MG RESISTOR	0Ω 1/16W J	
R3107	NRSA63J-103X	MG RESISTOR	10kΩ 1/16W J	
R3108	QRC121K-561Z	COMP RESISTOR	560Ω 1/2W K	
R3110	NRSA63J-0R0X	MG RESISTOR	0Ω 1/16W J	
L3001	QQL26AJ-102Z	COIL	1mH J	
L3002	QQL26AJ-102Z	COIL	1mH J	
L3101	QQL244K-5R6Z	COIL	5.6uH K	
CN300A	QGA2501C5-04Z	CONNECTOR	W-B (1-4)	
CN300E	QGA2501C1-10	CONNECTOR	W-B (1-10)	
CN300V	QGA2501C5-03Z	CONNECTOR	W-B (1-3)	
CN30GE	QGZ5004C1-02	CONNECTOR	(1-2)	
CN3GBK	QGA2501C5-06Z	CONNECTOR	W-B (1-6)	
CN3GBN	QGA2501C5-04Z	CONNECTOR	W-B (1-4)	
CN3GSC	QGZ0017C1-01Z	CONNECTOR	(1-1)	
CN3RGR	QJB003-062211	SIN ID C-B WIRE		
CN3RGN	QGA2501C5-04Z	CONNECTOR	W-B (1-4)	
H3101	LC31150-002A	HEAT SINK/AL-F/		

△Ref No.	Part No.	Part Name	Description	Local
SG3001	QAF0056-501Z	SURGE ABSORBER	500V M	
△SK3001	CE42535-001J1	C R T SOCKET		

B CRT SOCKET PW BOARD ASS'Y (SSB-3368A-M2)

△Ref No.	Part No.	Part Name	Description	Local
△IC3101	TDA6111Q	IC		
Q3031	2SA1037AK/QR/-X	TRANSISTOR		
D3001	RM2C-LFA1	SI DIODE		
D3101	EU01N-T2	SI DIODE		
D3102	1SR124-400A-T2	SI DIODE		
D3103	MA111-X	SI DIODE		
C3002	QETN2EM-106Z	E CAPACITOR	10uF 250V M	
C3006	QFZ9027-472	MM CAPACITOR	4700pF 1000V K	
C3007	QETN2EM-106Z	E CAPACITOR	10uF 250V M	
C3101	QETN1HM-106Z	E CAPACITOR	10uF 50V M	
C3102	NCB31HK-103X	C CAPACITOR	0.01uF 50V K	
C3103	QETN1EM-476Z	E CAPACITOR	47uF 25V M	
C3105	NDC31HJ-270X	C CAPACITOR	27pF 50V J	
C3106	QFK62EK-104Z	MM CAPACITOR	0.1uF 250V K	
C3107	NDC31HJ-561X	C CAPACITOR	560pF 50V J	
C3108	NDC31HJ-100X	C CAPACITOR	10pF 50V J	
C3109	NDC31HJ-270X	C CAPACITOR	27pF 50V J	
R3005	QRE121J-105Y	C RESISTOR	1MΩ 1/2W J	
R3006	QRC121K-102Z	COMP RESISTOR	1kΩ 1/2W K	
R3008	QRC121K-152Z	COMP RESISTOR	1.5kΩ 1/2W K	
R3031	NRSA63D-123X	MG RESISTOR	12kΩ 1/16W D	
R3032	NRSA63D-562X	MG RESISTOR	5.6kΩ 1/16W D	
R3033	NRSA63J-104X	MG RESISTOR	100kΩ 1/16W J	
R3101	NRSA63J-681X	MG RESISTOR	680Ω 1/16W J	
R3102	NRSA63J-332X	MG RESISTOR	3.3kΩ 1/16W J	
R3103	NRSA63J-821X	MG RESISTOR	820Ω 1/16W J	
R3104	QRL039J-473	OMF RESISTOR	47kΩ 3W J	
R3105	NRSA63J-681X	MG RESISTOR	680Ω 1/16W J	
R3106	NRSA63J-0R0X	MG RESISTOR	0Ω 1/16W J	
R3107	NRSA63J-103X	MG RESISTOR	10kΩ 1/16W J	
R3108	QRC121K-561Z	COMP RESISTOR	560Ω 1/2W K	
R3110	NRSA63J-0R0X	MG RESISTOR	0Ω 1/16W J	
L3002	QQL26AJ-102Z	COIL	1mH J	
L3101	QQL244K-5R6Z	COIL	5.6uH K	
CN30BE	QGZ5004C1-02	CONNECTOR	(1-2)	
CN3BSC	QGZ0017C1-01Z	CONNECTOR	(1-1)	
CN3GBK	QJB003-062211	SIN ID C-B WIRE		
CN3GBN	QJB003-042624	SIN ID C-B WIRE		
H3101	LC31150-002A	HEAT SINK/AL-F/		
SG3001	QAF0056-501Z	SURGE ABSORBER	500V M	
△SK3001	CE42535-001J1	C R T SOCKET		

CONVERGENCE OUT PW BOARD ASS'Y (SSB-5068A-M2)

△Ref No.	Part No.	Part Name	Description	Local
IC801	L7805CP	IC		
IC803	L7805CP	IC		
IC804	STK392-110	IC		
IC805	STK392-110	IC		
Q801	2SC3852A	POW TRANSISTOR		
Q802	2SA673/C/-T	TRANSISTOR		
Q803	2SA673/C/-T	TRANSISTOR		
Q806	2SD601A/QR/-X	TRANSISTOR		
Q807	2SD601A/QR/-X	TRANSISTOR		
Q808	2SD601A/QR/-X	TRANSISTOR		
Q809	2SD601A/QR/-X	TRANSISTOR		
Q810	2SD601A/QR/-X	TRANSISTOR		
D804	1SR153-400-T2	FR DIODE		
D805	1SR153-400-T2	FR DIODE		
D816	RD33E/B2/-T2	Z DIODE		
D817	RD33E/B2/-T2	Z DIODE		
D818	RD33E/B2/-T2	Z DIODE		
D819	RD33E/B2/-T2	Z DIODE		
D820	RD33E/B2/-T2	Z DIODE		
D821	RD33E/B2/-T2	Z DIODE		
D822	RD33E/B2/-T2	Z DIODE		

△Ref No.	Part No.	Part Name	Description	Local
D823	RD33E/B2/-T2	Z DIODE		
D824	RD33E/B2/-T2	Z DIODE		
D825	RD33E/B2/-T2	Z DIODE		
D826	RD33E/B2/-T2	Z DIODE		
D827	RD33E/B2/-T2	Z DIODE		
D828	NRSA63J-0R0X	MG RESISTOR	0Ω 1/16W J	
D839	NRSA63J-0R0X	MG RESISTOR	0Ω 1/16W J	
D841	PTZ6.8B-X	Z DIODE		
D842	PTZ6.8B-X	Z DIODE		
D843	PTZ6.8B-X	Z DIODE		
C801	QETN1CM-107Z	E CAPACITOR	100uF 16V M	
C802	QETN1CM-107Z	E CAPACITOR	100uF 16V M	
C803	QETN1CM-107Z	E CAPACITOR	100uF 16V M	
C804	NCB31EK-104X	C CAPACITOR	0.1uF 25V K	
C805	QETN1CM-107Z	E CAPACITOR	100uF 16V M	
C806	NCB31EK-104X	C CAPACITOR	0.1uF 25V K	
C807	QETN1CM-107Z	E CAPACITOR	100uF 16V M	
C808	NCB31EK-104X	C CAPACITOR	0.1uF 25V K	
C809	NCB31EK-104X	C CAPACITOR	0.1uF 25V K	
C810	QETN1EM-107Z	E CAPACITOR	100uF 25V M	
C812	NDC31HJ-181X	C CAPACITOR	180pF 50V J	
C813	NCB31EK-104X	C CAPACITOR	0.1uF 25V K	
C814	NCB31EK-104X	C CAPACITOR	0.1uF 25V K	
C818	NCB31HK-103X	C CAPACITOR	0.01uF 50V K	
C819	NCB31HK-103X	C CAPACITOR	0.01uF 50V K	
C820	NDC31HJ-151X	C CAPACITOR	150pF 50V J	
C821	NDC31HJ-151X	C CAPACITOR	150pF 50V J	
C822	NDC31HJ-151X	C CAPACITOR	150pF 50V J	
C823	NDC31HJ-151X	C CAPACITOR	150pF 50V J	
C824	NDC31HJ-151X	C CAPACITOR	150pF 50V J	
C825	NDC31HJ-151X	C CAPACITOR	150pF 50V J	
C827	QETN1HM-477Z	E CAPACITOR	470uF 50V M	
C828	QETN1HM-477Z	E CAPACITOR	470uF 50V M	
C829	NDC31HJ-151X	C CAPACITOR	150pF 50V J	
C830	NDC31HJ-151X	C CAPACITOR	150pF 50V J	
C831	NDC31HJ-151X	C CAPACITOR	150pF 50V J	
C832	NDC31HJ-151X	C CAPACITOR	150pF 50V J	
C833	NDC31HJ-151X	C CAPACITOR	150pF 50V J	
C834	NDC31HJ-151X	C CAPACITOR	150pF 50V J	
C838	NCB31EK-104X	C CAPACITOR	0.1uF 25V K	
C843	NCB31HK-103X	C CAPACITOR	0.01uF 50V K	
R801	NRSA63J-272X	MG RESISTOR	2.7kΩ 1/16W J	
R802	NRSA63J-272X	MG RESISTOR	2.7kΩ 1/16W J	
R803	NRSA63J-272X	MG RESISTOR	2.7kΩ 1/16W J	
R804	NRSA63J-272X	MG RESISTOR	2.7kΩ 1/16W J	
R805	NRSA63J-272X	MG RESISTOR	2.7kΩ 1/16W J	
R806	NRSA63J-272X	MG RESISTOR	2.7kΩ 1/16W J	
R807	NRSA63J-272X	MG RESISTOR	2.7kΩ 1/16W J	
R808	NRSA63J-272X	MG RESISTOR	2.7kΩ 1/16W J	
R809	QRE121J-471Y	C RESISTOR	470Ω 1/2W J	
R810	NRSA63J-122X	MG RESISTOR	1.2kΩ 1/16W J	
R812	NRSA63J-102X	MG RESISTOR	1kΩ 1/16W J	
R813	NRSA63J-102X	MG RESISTOR	1kΩ 1/16W J	
R818	NRSA63J-473X	MG RESISTOR	47kΩ 1/16W J	
R828	NRSA63J-101X	MG RESISTOR	100Ω 1/16W J	
R829	NRSA63J-101X	MG RESISTOR	100Ω 1/16W J	
R830	NRSA63J-101X	MG RESISTOR	100Ω 1/16W J	
R831	NRSA63J-102X	MG RESISTOR	1kΩ 1/16W J	
R832	NRSA63J-102X	MG RESISTOR	1kΩ 1/16W J	
R833	NRSA63J-102X	MG RESISTOR	1kΩ 1/16W J	
R834	NRSA63J-473X	MG RESISTOR	47kΩ 1/16W J	
R835	NRSA63J-473X	MG RESISTOR	47kΩ 1/16W J	
R836	NRSA63J-473X	MG RESISTOR	47kΩ 1/16W J	
R837	NRSA63J-473X	MG RESISTOR	47kΩ 1/16W J	
R838	NRSA63J-473X	MG RESISTOR	47kΩ 1/16W J	
R839	NRSA63J-473X	MG RESISTOR	47kΩ 1/16W J	
R840	NRSA63J-332X	MG RESISTOR	3.3kΩ 1/16W J	
R842	QRX01GJ-2R2	MF RESISTOR	2.2Ω 1W J	
R843	QRL029J-221	OMF RESISTOR	220Ω 2W J	
R844	NRSA63J-332X	MG RESISTOR	3.3kΩ 1/16W J	
R846	QRX01GJ-1R5	MF RESISTOR	1.5Ω 1W J	
R847	QRL029J-151	OMF RESISTOR	150Ω 2W J	
R848	NRSA63J-332X	MG RESISTOR	3.3kΩ 1/16W J	
R850	QRX01GJ-2R2	MF RESISTOR	2.2Ω 1W J	
R851	QRL029J-221	OMF RESISTOR	220Ω 2W J	
R852	NRSA63J-332X	MG RESISTOR	3.3kΩ 1/16W J	
R854	QRX01GJ-1R5	MF RESISTOR	1.5Ω 1W J	
R855	QRL029J-151	OMF RESISTOR	150Ω 2W J	
R856	NRSA63J-332X	MG RESISTOR	3.3kΩ 1/16W J	
R858	QRX01GJ-3R3	MF RESISTOR	3.3Ω 1W J	
R859	QRL029J-221	OMF RESISTOR	220Ω 2W J	
R860	NRSA63J-332X	MG RESISTOR	3.3kΩ 1/16W J	
R862	QRX01GJ-1R8	MF RESISTOR	1.8Ω 1W J	
R863	QRL029J-151	OMF RESISTOR	150Ω 2W J	
R864	NRSA63J-473X	MG RESISTOR	47kΩ 1/16W J	

△Ref No.	Part No.	Part Name	Description	Local
R866	NRSA63J-102X	MG RESISTOR	1kΩ 1/16W J	
R867	NRSA63J-102X	MG RESISTOR	1kΩ 1/16W J	
L802	QQL521J-470	COIL	47uH J	
CN011	QGB2501J1-15	CONNECTOR	B-B (1-15)	
CN012	QGB2501J1-15	CONNECTOR	B-B (1-15)	
K801	QQR0621-002Z	FERRITE BEADS		
K802	QQR0621-002Z	FERRITE BEADS		
K803	QQR0621-002Z	FERRITE BEADS		
K804	QQR0621-002Z	FERRITE BEADS		
K805	QQR0621-002Z	FERRITE BEADS		
K806	QQR0621-002Z	FERRITE BEADS		
K807	QQR0621-002Z	FERRITE BEADS		
K808	QQR0621-002Z	FERRITE BEADS		
K809	QQR0621-002Z	FERRITE BEADS		
K810	QQR0621-002Z	FERRITE BEADS		
K811	QQR0621-002Z	FERRITE BEADS		

VM PW BOARD ASS'Y (SSB-7268A-M2)

△Ref No.	Part No.	Part Name	Description	Local
Q7101	2SD601A/QR/-X	TRANSISTOR		
Q7102	2SC1627A/OY/-T	TRANSISTOR		
Q7105	2SA1837	POW TRANSISTOR		
Q7106	2SC4793	POW TRANSISTOR		
D7101	NRSA63J-0R0X	MG RESISTOR	0Ω 1/16W J	
D7102	RH1S-T3	SI DIODE		
D7103	RH1S-T3	SI DIODE		
C7001	QETN2CM-106Z	E CAPACITOR	10uF 160V M	
C7101	QCB31HK-103Z	C CAPACITOR	0.01uF 50V K	
C7102	NDC31HJ-821X	C CAPACITOR	820pF 50V J	
C7103	QETN1HM-335Z	E CAPACITOR	3.3uF 50V M	
C7105	QETN1CM-107Z	E CAPACITOR	100uF 16V M	
C7112	QCB32HK-472Z	C CAPACITOR	4700pF 500V K	
C7113	QCB32HK-472Z	C CAPACITOR	4700pF 500V K	
C7114	QETN1AM-107Z	E CAPACITOR	100uF 10V M	
C7115	QETN1AM-107Z	E CAPACITOR	100uF 10V M	
C7116	QETN1AM-337Z	E CAPACITOR	330uF 10V M	
C7117	QETN2CM-106Z	E CAPACITOR	10uF 160V M	
R7101	NRSA63J-153X	MG RESISTOR	15kΩ 1/16W J	
R7102	NRSA63J-272X	MG RESISTOR	2.7kΩ 1/16W J	
R7103	NRSA63J-470X	MG RESISTOR	47Ω 1/16W J	
R7104	NRSA63J-271X	MG RESISTOR	270Ω 1/16W J	
R7105	NRSA63J-820X	MG RESISTOR	82Ω 1/16W J	
R7106	NRSA63J-152X	MG RESISTOR	1.5kΩ 1/16W J	
R7107	QRG01GJ-101	OMF RESISTOR	100Ω 1W J	
R7112	NRSA63J-470X	MG RESISTOR	47Ω 1/16W J	
R7113	NRSA63J-470X	MG RESISTOR	47Ω 1/16W J	
R7114	NRSA63J-122X	MG RESISTOR	1.2kΩ 1/16W J	
R7115	QRE121J-563Y	C RESISTOR	56kΩ 1/2W J	
R7116	QRE121J-563Y	C RESISTOR	56kΩ 1/2W J	
R7117	NRSA63J-122X	MG RESISTOR	1.2kΩ 1/16W J	
R7118	NRSA63J-390X	MG RESISTOR	39Ω 1/16W J	
R7119	QRE121J-2R7Y	C RESISTOR	2.7Ω 1/2W J	
R7120	QRE121J-2R7Y	C RESISTOR	2.7Ω 1/2W J	
R7121	NRSA63J-390X	MG RESISTOR	39Ω 1/16W J	
R7122	NRSA63J-121X	MG RESISTOR	120Ω 1/16W J	
R7123	QRL029J-681	OMF RESISTOR	680Ω 2W J	
CN700V	QJB003-031413	SIN ID C-B WIRE		
CN70VB	QGA2501C5-03Z	CONNECTOR	W-B (1-3)	
CN70VG	QGA2501C5-03Z	CONNECTOR	W-B (1-3)	
CN70VR	QGA2501C5-03Z	CONNECTOR	W-B (1-3)	
△FR7001	QRZ9021-561	FUSI RESISTOR	560Ω 1W J	
K7101	CE41492-001Z	CHOKE COIL		
K7103	CE41492-001Z	CHOKE COIL		
K7104	CE41492-001Z	CHOKE COIL		
Y7101	NRSA63J-0R0X	MG RESISTOR	0Ω 1/16W J	
Y7102	NRSA63J-0R0X	MG RESISTOR	0Ω 1/16W J	

REMOCON SENSOR PW BOARD ASS'Y (SSB-8068A-M2)

△Ref No.	Part No.	Part Name	Description	Local
IC8001	GP1U281Q	IR DETECT UNIT	38kHz	
D8001	MA3068/M/-X	Z DIODE		
C8001	NCB31CK-104X	C CAPACITOR	0.1uF 16V K	
C8002	QETN1EM-476Z	E CAPACITOR	47uF 25V M	
R8001	NRSA63J-102X	MG RESISTOR	1kΩ 1/16W J	
R8003	NRSA63J-101X	MG RESISTOR	100Ω 1/16W J	
R8004	NRSA63J-101X	MG RESISTOR	100Ω 1/16W J	

LINE FILTER PW BOARD ASS'Y (SSB-9068A-M2)

△Ref No.	Part No.	Part Name	Description	Local
D9911	1SR35-400A-T2	SI DIODE		
D9912	1SR35-400A-T2	SI DIODE		
D9913	1SR35-400A-T2	SI DIODE		
D9914	1SR35-400A-T2	SI DIODE		
D9921	1SR35-400A-T2	SI DIODE		
△C9901	QFZ9072-104	MM CAPACITOR	0.1uF AC250V K	
△C9902	QFZ9072-104	MM CAPACITOR	0.1uF AC250V K	
△C9903	QFZ9072-104	MM CAPACITOR	0.1uF AC250V K	
C9911	QETN1CM-108Z	E CAPACITOR	1000uF 16V M	
C9921	QETM1HM-108	E CAPACITOR	1000uF 50V M	
△R9901	QRZ9041-275	C RESISTOR	2.7MΩ 1/2W K	
R9911	QRE121J-5R6Y	C RESISTOR	5.6Ω 1/2W J	
△T9911	QQT0382-001	POWER TRANSF		
△F9901	QMF61U1-7R0-S	FUSE	7A AC125V	
△LF9901	QQR0972-002	LINE FILTER		
△LF9902	QQR0972-002	LINE FILTER		
△LF9903	QQR1281-001	LINE FILTER		
△VA9901	ERZV10V621CS	ZNR		

DEF OSC PW BOARD ASS'Y (SSB0H068A-M2)

△Ref No.	Part No.	Part Name	Description	Local
IC101	LA7860M-X	IC		
IC102	BA12FP-X	IC		
IC161	AN5441SA-W	IC		
IC162	BA10393F-XE	IC		
IC212	CXA1875AM-X	IC		
Q101	2SD601A/QR/-X	TRANSISTOR		
Q102	2SD601A/QR/-X	TRANSISTOR		
Q131	2SD601A/QR/-X	TRANSISTOR		
Q132	2SD601A/QR/-X	TRANSISTOR		
Q162	2SD601A/QR/-X	TRANSISTOR		
Q167	2SD601A/QR/-X	TRANSISTOR		
Q168	2SD601A/QR/-X	TRANSISTOR		
Q751	2SD601A/QR/-X	TRANSISTOR		
Q752	2SD601A/QR/-X	TRANSISTOR		
Q753	2SC4632	POW TRANSISTOR		
D164	1SS355-X	SI DIODE		
D165	NRSA63J-0R0X	MG RESISTOR	0Ω 1/16W J	
D221	1SS355-X	SI DIODE		
D321	1SS355-X	SI DIODE		
D751	ES1F-LFG2	SI DIODE		
D752	ES1F-LFG2	SI DIODE		
C102	NCB31HK-103X	C CAPACITOR	0.01uF 50V K	
C103	NCB31HK-103X	C CAPACITOR	0.01uF 50V K	
C104	NDC31HJ-561X	C CAPACITOR	560pF 50V J	
C106	NDC31HJ-102X	C CAPACITOR	1000pF 50V J	
C107	NDC21HJ-122X	C CAPACITOR	1200pF 50V J	
C108	QETN1HM-475Z	E CAPACITOR	4.7uF 50V M	
C109	NCB31HK-103X	C CAPACITOR	0.01uF 50V K	
C110	NCB31HK-102X	C CAPACITOR	1000pF 50V K	
C111	QETN1HM-225Z	E CAPACITOR	2.2uF 50V M	
C112	QETN1HM-225Z	E CAPACITOR	2.2uF 50V M	
C113	NDC21HJ-122X	C CAPACITOR	1200pF 50V J	
C114	NDC31HJ-102X	C CAPACITOR	1000pF 50V J	
C115	NDC31HJ-102X	C CAPACITOR	1000pF 50V J	
C116	NCB31HK-103X	C CAPACITOR	0.01uF 50V K	

ΔRef No.	Part No.	Part Name	Description	Local	ΔRef No.	Part No.	Part Name	Description	Local
C117	QTMN1CM-477Z	E CAPACITOR	470uF 16V M		R174	NRSA63J-102X	MG RESISTOR	1kΩ 1/16W J	
C118	NCB31HK-103X	C CAPACITOR	0.01uF 50V K		R175	NRSA63J-102X	MG RESISTOR	1kΩ 1/16W J	
C119	QETN1EM-476Z	E CAPACITOR	47uF 25V M		R176	NRSA63J-222X	MG RESISTOR	2.2kΩ 1/16W J	
C120	QETN1EM-476Z	E CAPACITOR	47uF 25V M		R177	NRSA63J-123X	MG RESISTOR	12kΩ 1/16W J	
C121	QETN1CM-107Z	E CAPACITOR	100uF 16V M		R178	NRSA63J-821X	MG RESISTOR	820Ω 1/16W J	
C122	NCB31HK-103X	C CAPACITOR	0.01uF 50V K		R179	NRVA63D-562X	CMF RESISTOR	5.6kΩ 1/16W D	
C123	NCB31HK-103X	C CAPACITOR	0.01uF 50V K		R180	NRSA63D-152X	MG RESISTOR	1.5kΩ 1/16W D	
C124	NCB31HK-103X	C CAPACITOR	0.01uF 50V K		R182	NRSA63J-102X	MG RESISTOR	1kΩ 1/16W J	
C131	NDC31HJ-101X	C CAPACITOR	100pF 50V J		R183	NRSA63J-102X	MG RESISTOR	1kΩ 1/16W J	
C132	QETN1HM-105Z	E CAPACITOR	1uF 50V M		R184	NRSA63D-473X	MG RESISTOR	47kΩ 1/16W D	
C133	NCB21EK-124X	C CAPACITOR	0.12uF 25V K		R185	NRSA63D-103X	MG RESISTOR	10kΩ 1/16W D	
C134	NCB31EK-273X	C CAPACITOR	0.027uF 25V K		R186	NRSA63J-103X	MG RESISTOR	10kΩ 1/16W J	
C135	NDC31HJ-102X	C CAPACITOR	1000pF 50V J		R187	NRSA63J-472X	MG RESISTOR	4.7kΩ 1/16W J	
C136	NDC31HJ-102X	C CAPACITOR	1000pF 50V J		R188	NRSA63D-101X	MG RESISTOR	100Ω 1/16W D	
C137	NDC31HJ-102X	C CAPACITOR	1000pF 50V J		R189	NRSA63J-0R0X	MG RESISTOR	0Ω 1/16W J	
C138	NDC31HJ-151X	C CAPACITOR	150pF 50V J		R190	NRSA63J-181X	MG RESISTOR	180Ω 1/16W J	
C161	QETN1CM-108Z	E CAPACITOR	1000uF 16V M		R216	NRSA63J-221X	MG RESISTOR	220Ω 1/16W J	
C162	NCB31HK-103X	C CAPACITOR	0.01uF 50V K		R217	NRSA63J-221X	MG RESISTOR	220Ω 1/16W J	
C163	QETN1AM-477Z	E CAPACITOR	470uF 10V M		R223	NRSA63J-101X	MG RESISTOR	100Ω 1/16W J	
C164	NCB31HK-103X	C CAPACITOR	0.01uF 50V K		R224	NRSA63J-101X	MG RESISTOR	100Ω 1/16W J	
C182	NCB31CK-104X	C CAPACITOR	0.1uF 16V K		R226	NRSA63J-101X	MG RESISTOR	100Ω 1/16W J	
C212	QETN1HM-106Z	E CAPACITOR	10uF 50V M		R227	NRSA63J-102X	MG RESISTOR	1kΩ 1/16W J	
C221	QETN1HM-105Z	E CAPACITOR	1uF 50V M		R230	NRSA63J-223X	MG RESISTOR	22kΩ 1/16W J	
C321	NCB31HK-102X	C CAPACITOR	1000pF 50V K		R321	NRSA63J-0R0X	MG RESISTOR	0Ω 1/16W J	
C751	QFLC1HJ-563Z	M CAPACITOR	0.056uF 50V J		R326	NRSA63J-224X	MG RESISTOR	220kΩ 1/16W J	
C752	QETN1VM-476Z	E CAPACITOR	47uF 35V M		R327	NRSA63J-224X	MG RESISTOR	220kΩ 1/16W J	
C753	QFZ0200-153	MPP CAPACITOR	0.015uF 1.5kV H		R328	NRSA63J-563X	MG RESISTOR	56kΩ 1/16W J	
C761	QFZ0122-682	MPP CAPACITOR	6800pF 1.8kV H		R329	NRSA63J-224X	MG RESISTOR	220kΩ 1/16W J	
C762	QCZ0122-471	C CAPACITOR	470pF 2kV K		R330	NRSA63J-683X	MG RESISTOR	68kΩ 1/16W J	
C763	QCZ0122-471	C CAPACITOR	470pF 2kV K		R751	NRSA63J-183X	MG RESISTOR	18kΩ 1/16W J	
C0165	NCB31CK-104X	C CAPACITOR	0.1uF 16V K		R752	NRSA63J-103X	MG RESISTOR	10kΩ 1/16W J	
C0166	QETN1HM-106Z	E CAPACITOR	10uF 50V M		R753	NRSA63J-822X	MG RESISTOR	8.2kΩ 1/16W J	
C0167	NCB31HK-332X	C CAPACITOR	3300pF 50V K		R754	NRSA63J-183X	MG RESISTOR	18kΩ 1/16W J	
C0168	NCB31HK-103X	C CAPACITOR	0.01uF 50V K		R755	NRSA63J-183X	MG RESISTOR	18kΩ 1/16W J	
C0169	NCB31CK-104X	C CAPACITOR	0.1uF 16V K		R756	NRSA63J-392X	MG RESISTOR	3.9kΩ 1/16W J	
C0170	NCB31HK-103X	C CAPACITOR	0.01uF 50V K		R757	NRSA63J-152X	MG RESISTOR	1.5kΩ 1/16W J	
C0171	QFV21HJ-184AZ	MF CAPACITOR	1.84F 50V J		R761	QRE121J-184Y	C RESISTOR	180kΩ 1/2W J	
C0172	QFV21HJ-394AZ	MF CAPACITOR	3.94F 50V J		R762	QRE121J-184Y	C RESISTOR	180kΩ 1/2W J	
C0173	NCB31HK-153X	C CAPACITOR	0.015uF 50V K		R763	QRE121J-184Y	C RESISTOR	180kΩ 1/2W J	
C0174	NCB31HK-272X	C CAPACITOR	2700pF 50V K		R764	QRE121J-184Y	C RESISTOR	180kΩ 1/2W J	
C0175	NCB31HK-152X	C CAPACITOR	1500pF 50V K		R765	QRE121J-184Y	C RESISTOR	180kΩ 1/2W J	
C0176	QFV21HJ-184AZ	MF CAPACITOR	1.84F 50V J						
C0178	NCB31CK-104X	C CAPACITOR	0.1uF 16V K		L101	QQL01BK-470Z	P COIL	47uH K	
C0179	NCB31CK-104X	C CAPACITOR	0.1uF 16V K		L103	NQL092K-100X	P COIL	10uH K	
C0180	NCB31CK-104X	C CAPACITOR	0.1uF 16V K		L104	NQL092K-100X	P COIL	10uH K	
C0181	NCB31CK-104X	C CAPACITOR	0.1uF 16V K		L105	QQL01BK-101Z	P COIL	100uH K	
R101	NRSA63J-102X	MG RESISTOR	1kΩ 1/16W J		CN010	QGB1505K1-35	CONNECTOR	B-B (1-35)	
R103	NRSA63J-681X	MG RESISTOR	680Ω 1/16W J		W001	NRSA63J-0R0X	MG RESISTOR	0Ω 1/16W J	
R104	NRSA63J-103X	MG RESISTOR	10kΩ 1/16W J		W002	NRSA63J-0R0X	MG RESISTOR	0Ω 1/16W J	
R105	NRSA63J-473X	MG RESISTOR	47kΩ 1/16W J		W003	NRSA63J-0R0X	MG RESISTOR	0Ω 1/16W J	
R106	NRSA63J-123X	MG RESISTOR	12kΩ 1/16W J		W004	NRSA63J-0R0X	MG RESISTOR	0Ω 1/16W J	
R107	NRSA63J-103X	MG RESISTOR	10kΩ 1/16W J		W005	NRSA63J-0R0X	MG RESISTOR	0Ω 1/16W J	
R109	NRSA63J-682X	MG RESISTOR	6.8kΩ 1/16W J		W006	NRSA63J-0R0X	MG RESISTOR	0Ω 1/16W J	
R110	NRSA63J-223X	MG RESISTOR	22kΩ 1/16W J		W007	NRSA63J-0R0X	MG RESISTOR	0Ω 1/16W J	
R111	NRSA63D-153X	MG RESISTOR	15kΩ 1/16W D		W008	NRSA63J-0R0X	MG RESISTOR	0Ω 1/16W J	
R112	NRSA63D-182X	MG RESISTOR	1.8kΩ 1/16W D		W009	NRSA63J-0R0X	MG RESISTOR	0Ω 1/16W J	
R113	NRSA63D-123X	MG RESISTOR	12kΩ 1/16W D		W010	NRSA63J-0R0X	MG RESISTOR	0Ω 1/16W J	
R114	NRSA63J-222X	MG RESISTOR	2.2kΩ 1/16W J		W012	NRSA63J-0R0X	MG RESISTOR	0Ω 1/16W J	
R116	NRSA63D-182X	MG RESISTOR	1.8kΩ 1/16W D		W013	NRSA63J-0R0X	MG RESISTOR	0Ω 1/16W J	
R117	NRSA63J-332X	MG RESISTOR	3.3kΩ 1/16W J		W014	NRSA63J-0R0X	MG RESISTOR	0Ω 1/16W J	
R120	NRSA63J-183X	MG RESISTOR	18kΩ 1/16W J		W015	NRSA63J-0R0X	MG RESISTOR	0Ω 1/16W J	
R121	NRSA63J-152X	MG RESISTOR	1.5kΩ 1/16W J		W016	NRSA63J-0R0X	MG RESISTOR	0Ω 1/16W J	
R122	QRG01GJ-470	OMF RESISTOR	47Ω 1W J		W017	NRSA63J-0R0X	MG RESISTOR	0Ω 1/16W J	
R123	QRK126J-101X	UNF C RESISTOR	100Ω 1/2W J		W018	NRSA63J-0R0X	MG RESISTOR	0Ω 1/16W J	
R126	NRSA63J-103X	MG RESISTOR	10kΩ 1/16W J		W019	NRSA63J-0R0X	MG RESISTOR	0Ω 1/16W J	
R127	NRSA63J-103X	MG RESISTOR	10kΩ 1/16W J		W020	NRSA63J-0R0X	MG RESISTOR	0Ω 1/16W J	
R129	NRSA63D-183X	MG RESISTOR	18kΩ 1/16W D		W021	NRSA63J-0R0X	MG RESISTOR	0Ω 1/16W J	
R131	NRSA63J-102X	MG RESISTOR	1kΩ 1/16W J		W022	NRSA63J-0R0X	MG RESISTOR	0Ω 1/16W J	
R133	NRSA63J-151X	MG RESISTOR	150Ω 1/16W J		W023	NRSA63J-0R0X	MG RESISTOR	0Ω 1/16W J	
R134	NRSA63J-334X	MG RESISTOR	330kΩ 1/16W J		W024	NRSA63J-0R0X	MG RESISTOR	0Ω 1/16W J	
R137	NRSA63J-103X	MG RESISTOR	10kΩ 1/16W J		Y001	NRSA63J-0R0X	MG RESISTOR	0Ω 1/16W J	
R139	NRSA63J-223X	MG RESISTOR	22kΩ 1/16W J		Y002	NRSA63J-0R0X	MG RESISTOR	0Ω 1/16W J	
R140	NRSA63J-103X	MG RESISTOR	10kΩ 1/16W J		Y003	NRSA63J-0R0X	MG RESISTOR	0Ω 1/16W J	
R141	NRSA63J-472X	MG RESISTOR	4.7kΩ 1/16W J		Y004	NRSA63J-0R0X	MG RESISTOR	0Ω 1/16W J	
R142	NRSA63J-103X	MG RESISTOR	10kΩ 1/16W J		Y007	NRSA63J-0R0X	MG RESISTOR	0Ω 1/16W J	
R143	NRSA63J-471X	MG RESISTOR	470Ω 1/16W J		Y008	NRSA63J-0R0X	MG RESISTOR	0Ω 1/16W J	
R161	NRSA63J-221X	MG RESISTOR	220Ω 1/16W J						
R162	NRSA63J-221X	MG RESISTOR	220Ω 1/16W J						
R163	NRSA63J-101X	MG RESISTOR	100Ω 1/16W J						
R164	NRSA63J-101X	MG RESISTOR	100Ω 1/16W J						
R167	NRSA63J-472X	MG RESISTOR	4.7kΩ 1/16W J						
R168	NRSA63J-472X	MG RESISTOR	4.7kΩ 1/16W J						
R169	NRSA63J-332X	MG RESISTOR	3.3kΩ 1/16W J						
R170	NRSA63J-472X	MG RESISTOR	4.7kΩ 1/16W J						
R171	NRSA63J-223X	MG RESISTOR	22kΩ 1/16W J						
R172	NRSA63J-473X	MG RESISTOR	47kΩ 1/16W J						

RECEIVER PW BOARD ASS'Y (SSB0R368A-M2)

△Ref No.	Part No.	Part Name	Description	Local
IC0201	CXA2134Q-X	IC		
IC0501	BA4558F-X	IC		
IC0531	BA4558F-X	IC		
IC0561	TC4066BP/N/	IC(DIGITAL)		
IC0701	M62320FP-X	IC		
Q0101	2SD601A/QR/-X	TRANSISTOR		
Q0531	2SD601A/QR/-X	TRANSISTOR		
Q0532	2SB709A/QR/-X	TRANSISTOR		
Q0561	2SB709A/QR/-X	TRANSISTOR		
Q0562	2SD601A/QR/-X	TRANSISTOR		
Q0563	2SB709A/QR/-X	TRANSISTOR		
Q0564	2SD601A/QR/-X	TRANSISTOR		
Q0565	DTC124EKA-X	DIGI TRANSISTOR		
Q0566	DTC124EKA-X	DIGI TRANSISTOR		
Q0601	2SC3311A/QR/-T	TRANSISTOR		
Q0602	2SC3311A/QR/-T	TRANSISTOR		
Q0701	2SD601A/QR/-X	TRANSISTOR		
Q0702	2SB709A/QR/-X	TRANSISTOR		
D0201	UDZS8.2B-X	Z DIODE		
D0202	UDZS8.2B-X	Z DIODE		
D0531	UDZS10B-X	Z DIODE		
D0561	UDZS10B-X	Z DIODE		
D0562	UDZS10B-X	Z DIODE		
D0563	1SS355-X	SI DIODE		
D0601	1SS355-X	SI DIODE		
D0602	1SS355-X	SI DIODE		
D0701	1SS355-X	SI DIODE		
C0102	QETN1CM-477Z	E CAPACITOR	470uF 16V M	
C0103	QETN1HM-106Z	E CAPACITOR	10uF 50V M	
C0201	QENC1HM-475Z	BP E CAPACITOR	4.7uF 50V M	
C0202	NCB31EK-104X	C CAPACITOR	0.1uF 25V K	
C0203	QENC1HM-475Z	BP E CAPACITOR	4.7uF 50V M	
C0204	NCB31HK-562X	C CAPACITOR	5600pF 50V K	
C0205	NCB31HK-123X	C CAPACITOR	0.012uF 50V K	
C0206	QETN1HM-105Z	E CAPACITOR	1uF 50V M	
C0207	QETN1HM-475Z	E CAPACITOR	4.7uF 50V M	
C0208	QETN1HM-106Z	E CAPACITOR	10uF 50V M	
C0209	QETN1HM-475Z	E CAPACITOR	4.7uF 50V M	
C0210	QETN1CM-107Z	E CAPACITOR	100uF 16V M	
C0211	QENC1HM-475Z	BP E CAPACITOR	4.7uF 50V M	
C0212	QETN1HM-475Z	E CAPACITOR	4.7uF 50V M	
C0213	QENC1HM-475Z	BP E CAPACITOR	4.7uF 50V M	
C0214	NCB31HK-272X	C CAPACITOR	2700pF 50V K	
C0215	NCB31HK-473X	C CAPACITOR	0.047uF 50V K	
C0216	QETN1HM-335Z	E CAPACITOR	3.3uF 50V M	
C0217	QENC1HM-475Z	BP E CAPACITOR	4.7uF 50V M	
C0218	QETN1HM-106Z	E CAPACITOR	10uF 50V M	
C0219	QETN1HM-105Z	E CAPACITOR	1uF 50V M	
C0220	NCF31CZ-104X	C CAPACITOR	0.1uF 16V Z	
C0221	QENC1HM-475Z	BP E CAPACITOR	4.7uF 50V M	
C0222	QENC1HM-475Z	BP E CAPACITOR	4.7uF 50V M	
C0223	NCF31CZ-104X	C CAPACITOR	0.1uF 16V Z	
C0224	NCB31HK-223X	C CAPACITOR	0.022uF 50V K	
C0225	NCB31HK-472X	C CAPACITOR	4700pF 50V K	
C0226	QENC1HM-475Z	BP E CAPACITOR	4.7uF 50V M	
C0227	NCB31EK-104X	C CAPACITOR	0.1uF 25V K	
C0228	NCB31HK-472X	C CAPACITOR	4700pF 50V K	
C0501	QETN1EM-476Z	E CAPACITOR	47uF 25V M	
C0502	QETN1EM-476Z	E CAPACITOR	47uF 25V M	
C0503	QENC1HM-105Z	BP E CAPACITOR	1uF 50V M	
C0504	QENC1HM-105Z	BP E CAPACITOR	1uF 50V M	
C0531	QETN1HM-106Z	E CAPACITOR	10uF 50V M	
C0532	NCB31EK-393X	C CAPACITOR	0.039uF 25V K	
C0533	QETN1EM-476Z	E CAPACITOR	47uF 25V M	
C0534	NCB31HK-183X	C CAPACITOR	0.018uF 50V K	
C0535	QETN1EM-476Z	E CAPACITOR	47uF 25V M	
C0536	QENC1HM-106Z	BP E CAPACITOR	10uF 50V M	
C0537	QENC1HM-106Z	BP E CAPACITOR	10uF 50V M	
C0561	QETN1HM-474Z	E CAPACITOR	0.47uF 50V M	
C0562	QETN1HM-474Z	E CAPACITOR	0.47uF 50V M	
C0563	QETN1EM-476Z	E CAPACITOR	47uF 25V M	
C0601	QEZ0206-335Z	BP E CAPACITOR	3.3uF 50V M	
C0602	QEZ0206-335Z	BP E CAPACITOR	3.3uF 50V M	
C0701	QETN1EM-476Z	E CAPACITOR	47uF 25V M	
C0702	NCF31CZ-104X	C CAPACITOR	0.1uF 16V Z	
C0703	NDC31HJ-820X	C CAPACITOR	82pF 50V J	
C0704	NDC31HJ-820X	C CAPACITOR	82pF 50V J	
R0102	NRSA63J-0R0X	MG RESISTOR	0Ω 1/16W J	
R0106	NRSA63J-103X	MG RESISTOR	10kΩ 1/16W J	
R0107	NRSA63J-0R0X	MG RESISTOR	0Ω 1/16W J	
R0108	NRSA63J-0R0X	MG RESISTOR	0Ω 1/16W J	

△Ref No.	Part No.	Part Name	Description	Local
R0109	NRSA63J-473X	MG RESISTOR	47kΩ 1/16W J	
R0110	NRSA63J-0R0X	MG RESISTOR	0Ω 1/16W J	
R0111	NRSA63J-0R0X	MG RESISTOR	0Ω 1/16W J	
R0112	NRSA63J-473X	MG RESISTOR	47kΩ 1/16W J	
R0113	NRSA63J-0R0X	MG RESISTOR	0Ω 1/16W J	
R0114	NRSA63J-0R0X	MG RESISTOR	0Ω 1/16W J	
R0201	NRSA63J-221X	MG RESISTOR	220Ω 1/16W J	
R0202	NRSA63J-221X	MG RESISTOR	220Ω 1/16W J	
R0203	NRSA63J-105X	MG RESISTOR	1MΩ 1/16W J	
R0204	NRSA63J-104X	MG RESISTOR	100kΩ 1/16W J	
R0205	NRSA63J-682X	MG RESISTOR	6.8kΩ 1/16W J	
R0206	NRSA63J-682X	MG RESISTOR	6.8kΩ 1/16W J	
R0208	NRSA63F-623X	MG RESISTOR	62kΩ 1/16W F	
R0209	NRSA63J-221X	MG RESISTOR	220Ω 1/16W J	
R0210	NRSA63J-221X	MG RESISTOR	220Ω 1/16W J	
R0211	NRSA63J-332X	MG RESISTOR	3.3kΩ 1/16W J	
R0213	NRSA63J-302X	MG RESISTOR	3kΩ 1/16W J	
R0214	NRSA63J-392X	MG RESISTOR	3.9kΩ 1/16W J	
R0501	NRSA63J-472X	MG RESISTOR	4.7kΩ 1/16W J	
R0502	NRSA63J-472X	MG RESISTOR	4.7kΩ 1/16W J	
R0503	NRSA63J-153X	MG RESISTOR	15kΩ 1/16W J	
R0504	NRSA63J-153X	MG RESISTOR	15kΩ 1/16W J	
R0505	NRSA63J-123X	MG RESISTOR	12kΩ 1/16W J	
R0506	NRSA63J-103X	MG RESISTOR	10kΩ 1/16W J	
R0507	NRSA63J-123X	MG RESISTOR	12kΩ 1/16W J	
R0508	NRSA63J-103X	MG RESISTOR	10kΩ 1/16W J	
R0531	NRSA63J-221X	MG RESISTOR	220Ω 1/16W J	
R0532	NRSA63J-473X	MG RESISTOR	47kΩ 1/16W J	
R0533	NRSA63J-221X	MG RESISTOR	220Ω 1/16W J	
R0534	NRSA63J-332X	MG RESISTOR	3.3kΩ 1/16W J	
R0535	NRSA63J-562X	MG RESISTOR	5.6kΩ 1/16W J	
R0536	NRSA63J-103X	MG RESISTOR	10kΩ 1/16W J	
R0537	NRSA63J-103X	MG RESISTOR	10kΩ 1/16W J	
R0538	NRSA63J-103X	MG RESISTOR	10kΩ 1/16W J	
R0539	NRSA63J-103X	MG RESISTOR	10kΩ 1/16W J	
R0540	NRSA63J-472X	MG RESISTOR	4.7kΩ 1/16W J	
R0541	NRSA63J-472X	MG RESISTOR	4.7kΩ 1/16W J	
R0542	NRSA63J-103X	MG RESISTOR	10kΩ 1/16W J	
R0543	NRSA63J-103X	MG RESISTOR	10kΩ 1/16W J	
R0544	NRSA63J-103X	MG RESISTOR	10kΩ 1/16W J	
R0561	NRSA63J-221X	MG RESISTOR	220Ω 1/16W J	
R0562	NRSA63J-221X	MG RESISTOR	220Ω 1/16W J	
R0563	NRSA63J-823X	MG RESISTOR	82kΩ 1/16W J	
R0564	NRSA63J-823X	MG RESISTOR	82kΩ 1/16W J	
R0565	NRSA63J-332X	MG RESISTOR	3.3kΩ 1/16W J	
R0566	NRSA63J-332X	MG RESISTOR	3.3kΩ 1/16W J	
R0567	NRSA63J-103X	MG RESISTOR	10kΩ 1/16W J	
R0568	NRSA63J-562X	MG RESISTOR	5.6kΩ 1/16W J	
R0569	NRSA63J-103X	MG RESISTOR	10kΩ 1/16W J	
R0570	NRSA63J-562X	MG RESISTOR	5.6kΩ 1/16W J	
R0573	NRSA63J-223X	MG RESISTOR	22kΩ 1/16W J	
R0574	NRSA63J-682X	MG RESISTOR	6.8kΩ 1/16W J	
R0575	NRSA63J-562X	MG RESISTOR	5.6kΩ 1/16W J	
R0577	NRSA63J-0R0X	MG RESISTOR	0Ω 1/16W J	
R0579	NRSA63J-0R0X	MG RESISTOR	0Ω 1/16W J	
R0580	NRSA63J-104X	MG RESISTOR	100kΩ 1/16W J	
R0601	NRSA63J-472X	MG RESISTOR	4.7kΩ 1/16W J	
R0602	NRSA63J-562X	MG RESISTOR	5.6kΩ 1/16W J	
R0603	NRSA63J-472X	MG RESISTOR	4.7kΩ 1/16W J	
R0604	NRSA63J-562X	MG RESISTOR	5.6kΩ 1/16W J	
R0605	NRSA63J-0R0X	MG RESISTOR	0Ω 1/16W J	
R0606	NRSA63J-0R0X	MG RESISTOR	0Ω 1/16W J	
R0608	NRSA63J-0R0X	MG RESISTOR	0Ω 1/16W J	
R0609	NRSA63J-0R0X	MG RESISTOR	0Ω 1/16W J	
R0701	NRSA63J-101X	MG RESISTOR	100Ω 1/16W J	
R0702	NRSA63J-333X	MG RESISTOR	33kΩ 1/16W J	
R0703	NRSA63J-333X	MG RESISTOR	33kΩ 1/16W J	
R0704	NRSA63J-103X	MG RESISTOR	10kΩ 1/16W J	
R0705	NRSA63J-103X	MG RESISTOR	10kΩ 1/16W J	
R0706	NRSA63J-104X	MG RESISTOR	100kΩ 1/16W J	
R0707	NRSA63J-103X	MG RESISTOR	10kΩ 1/16W J	
R0708	NRSA63J-101X	MG RESISTOR	100Ω 1/16W J	
R0709	NRSA63J-101X	MG RESISTOR	100Ω 1/16W J	
R0710	NRSA63J-101X	MG RESISTOR	100Ω 1/16W J	
R0711	NRSA63J-101X	MG RESISTOR	100Ω 1/16W J	
L0102	QRN143J-0R0X	C RESISTOR	0Ω 1/4W J	
CN0005	QGB1505K1-15	CONNECTOR	B-B (1-15)	
CN0006	QGB1505K1-35	CONNECTOR	B-B (1-35)	
CN000M	QJB003-042834	SIN ID C-B WIRE		
J0501	QNN0550-001	PIN JACK	VARI/FIX OUT	
J0601	CEMT019-001	SP TERMINAL	SUB WOOFER OUT	
RY0601	QSK0133-001	RELAY		
RY0602	QSK0133-001	RELAY		
△TU0102	QAU0303-001	TUNER	SUB	
UD0102	QAU0283-001	RF SPLITTER	75Ω 44MHz-872MHz	

△Ref No.	Part No.	Part Name	Description	Local	△Ref No.	Part No.	Part Name	Description	Local
Y0001	NRSA63J-0R0X	MG RESISTOR	0Ω 1/16W J		W0027	NRSA63J-0R0X	MG RESISTOR	0Ω 1/16W J	
Y0002	NRSA63J-0R0X	MG RESISTOR	0Ω 1/16W J		W0028	NRSA63J-0R0X	MG RESISTOR	0Ω 1/16W J	

**FRONT CONTROL PW BOARD ASS'Y
(SSB0L068A-M2)**

△Ref No.	Part No.	Part Name	Description	Local	△Ref No.	Part No.	Part Name	Description	Local
IC0702	MM1437AF-X	IC			W0029	NRSA63J-0R0X	MG RESISTOR	0Ω 1/16W J	
Q0701	2SC2412K/QR/-X	TRANSISTOR			W0030	NRSA63J-0R0X	MG RESISTOR	0Ω 1/16W J	
Q0702	2SC2412K/QR/-X	TRANSISTOR			W0031	NRSA63J-0R0X	MG RESISTOR	0Ω 1/16W J	
D0402	UDZS10B-X	Z DIODE			W0032	NRSA63J-0R0X	MG RESISTOR	0Ω 1/16W J	
D0403	UDZS10B-X	Z DIODE			W0033	NRSA63J-0R0X	MG RESISTOR	0Ω 1/16W J	
D0404	UDZS10B-X	Z DIODE			W0034	NRSA63J-0R0X	MG RESISTOR	0Ω 1/16W J	
D0405	UDZS10B-X	Z DIODE			W0035	NRSA63J-0R0X	MG RESISTOR	0Ω 1/16W J	
D0406	UDZS10B-X	Z DIODE			W0036	NRSA63J-0R0X	MG RESISTOR	0Ω 1/16W J	
D0701	SELU5E20C	LED			Y0401	NRSA63J-0R0X	MG RESISTOR	0Ω 1/16W J	
D0735	UDZS10B-X	Z DIODE			Y0402	NRSA63J-0R0X	MG RESISTOR	0Ω 1/16W J	
C0442	QETN1HM-105Z	E CAPACITOR	1uF 50V M		Y0410	NRSA63J-0R0X	MG RESISTOR	0Ω 1/16W J	
C0443	QETN1HM-105Z	E CAPACITOR	1uF 50V M		Y0411	NRSA63J-0R0X	MG RESISTOR	0Ω 1/16W J	
C0444	QETN1HM-106Z	E CAPACITOR	10uF 50V M						
C0445	QETN1HM-106Z	E CAPACITOR	10uF 50V M						
C0446	QFLC1HJ-103Z	M CAPACITOR	0.01uF 50V J						
C0711	QETN1CM-336Z	E CAPACITOR	33uF 16V M						
C0712	NCB31CK-104X	C CAPACITOR	0.1uF 16V K						
C0713	NCB31CK-104X	C CAPACITOR	0.1uF 16V K						
R0401	NRSA63J-750X	MG RESISTOR	75Ω 1/16W J						
R0402	NRSA63J-224X	MG RESISTOR	220kΩ 1/16W J						
R0403	NRSA63J-224X	MG RESISTOR	220kΩ 1/16W J						
R0404	NRSA63J-750X	MG RESISTOR	75Ω 1/16W J						
R0405	NRSA63J-750X	MG RESISTOR	75Ω 1/16W J						
R0406	NRSA63J-0R0X	MG RESISTOR	0Ω 1/16W J						
R0411	NRSA63J-0R0X	MG RESISTOR	0Ω 1/16W J						
R0412	NRSA63J-0R0X	MG RESISTOR	0Ω 1/16W J						
R0413	NRSA63J-0R0X	MG RESISTOR	0Ω 1/16W J						
R0414	NRSA63J-0R0X	MG RESISTOR	0Ω 1/16W J						
R0415	NRSA63J-0R0X	MG RESISTOR	0Ω 1/16W J						
R0416	NRSA63J-0R0X	MG RESISTOR	0Ω 1/16W J						
R0417	NRSA63J-0R0X	MG RESISTOR	0Ω 1/16W J						
R0418	NRSA63J-0R0X	MG RESISTOR	0Ω 1/16W J						
R0419	NRSA63J-0R0X	MG RESISTOR	0Ω 1/16W J						
R0420	NRSA63J-0R0X	MG RESISTOR	0Ω 1/16W J						
R0702	NRSA63J-0R0X	MG RESISTOR	0Ω 1/16W J						
R0703	NRSA63J-0R0X	MG RESISTOR	0Ω 1/16W J						
R0706	NRSA63J-101X	MG RESISTOR	100Ω 1/16W J						
R0707	NRSA63J-103X	MG RESISTOR	10kΩ 1/16W J						
R0708	NRSA63J-333X	MG RESISTOR	33kΩ 1/16W J						
R0711	NRSA63J-102X	MG RESISTOR	1kΩ 1/16W J						
R0712	NRSA63J-333X	MG RESISTOR	33kΩ 1/16W J						
R0732	NRSA63J-333X	MG RESISTOR	33kΩ 1/16W J						
R0748	NRSA63J-562X	MG RESISTOR	5.6kΩ 1/16W J						
R0749	NRSA63J-153X	MG RESISTOR	15kΩ 1/16W J						
R0750	NRSA63J-562X	MG RESISTOR	5.6kΩ 1/16W J						
R0751	NRSA63J-153X	MG RESISTOR	15kΩ 1/16W J						
J0401	QNZ0438-001	AV JACK	S VIDEO						
S0701	QSW0619-003Z	TACT SWITCH	POWER						
S0702	QSW0619-003Z	TACT SWITCH	MENU						
S0703	QSW0619-003Z	TACT SWITCH	CH -						
S0704	QSW0619-003Z	TACT SWITCH	CH +						
S0705	QSW0619-003Z	TACT SWITCH	VOL -						
S0706	QSW0619-003Z	TACT SWITCH	VOL +						
S0707	QSW0619-003Z	TACT SWITCH	POWER						
W0010	NRSA63J-0R0X	MG RESISTOR	0Ω 1/16W J						
W0011	NRSA63J-0R0X	MG RESISTOR	0Ω 1/16W J						
W0012	NRSA63J-0R0X	MG RESISTOR	0Ω 1/16W J						
W0013	NRSA63J-0R0X	MG RESISTOR	0Ω 1/16W J						
W0014	NRSA63J-0R0X	MG RESISTOR	0Ω 1/16W J						
W0015	NRSA63J-0R0X	MG RESISTOR	0Ω 1/16W J						
W0016	NRSA63J-0R0X	MG RESISTOR	0Ω 1/16W J						
W0017	NRSA63J-0R0X	MG RESISTOR	0Ω 1/16W J						
W0018	NRSA63J-0R0X	MG RESISTOR	0Ω 1/16W J						
W0019	NRSA63J-0R0X	MG RESISTOR	0Ω 1/16W J						
W0020	NRSA63J-0R0X	MG RESISTOR	0Ω 1/16W J						
W0021	NRSA63J-0R0X	MG RESISTOR	0Ω 1/16W J						
W0022	NRSA63J-0R0X	MG RESISTOR	0Ω 1/16W J						
W0023	NRSA63J-0R0X	MG RESISTOR	0Ω 1/16W J						
W0024	NRSA63J-0R0X	MG RESISTOR	0Ω 1/16W J						
W0025	NRSA63J-0R0X	MG RESISTOR	0Ω 1/16W J						
W0026	NRSA63J-0R0X	MG RESISTOR	0Ω 1/16W J						
W0026	NRSA63J-0R0X	MG RESISTOR	0Ω 1/16W J						

FRONT RELAY PW BOARD ASS'Y (SSB0L268A-M2)

△ Ref.No.	Part No.	Part Name	Description	Local
CN000G CN000H	QGF1201C2-17 QGF1201C2-13	CONNECTOR CONNECTOR	FFC/FPC (1-17) FFC/FPC (1-13)	

**DIGITAL INPUT MODULE PW BOARD ASS'Y
(48WP74CP-S) [AV-48WP74]
(56WP74CP-S) [AV-56WP74]**

△ Ref.No.	Part No.	Part Name	Description	Local
	48WP74CP-S 56WP74CP-S	DIGITAL INPUT MODULE PWB DIGITAL INPUT MODULE PWB		AV-48WP74 AV-56WP74

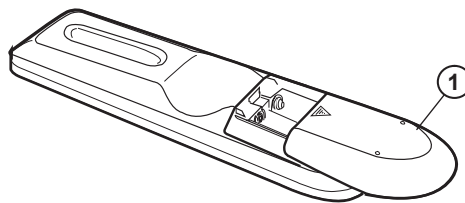
**DIGITAL CONVERGENCE MODULE PW BOARD ASS'Y
(SSB0K070A-M2) [AV-48WP74]
(SSB0K069A-M2) [AV-56WP74]**

△ Ref.No.	Part No.	Part Name	Description	Local
	SSB0K069A-M2 SSB0K070A-M2	DIGITAL CONVERGENCE MODULE PWB DIGITAL CONVERGENCE MODULE PWB		AV-48WP74 AV-56WP74

**MI-COM & DIST MODULE PW BOARD ASS'Y
(SSB0D070A-M2) [AV-48WP74]
(SSB0D069A-M2) [AV-56WP74]**

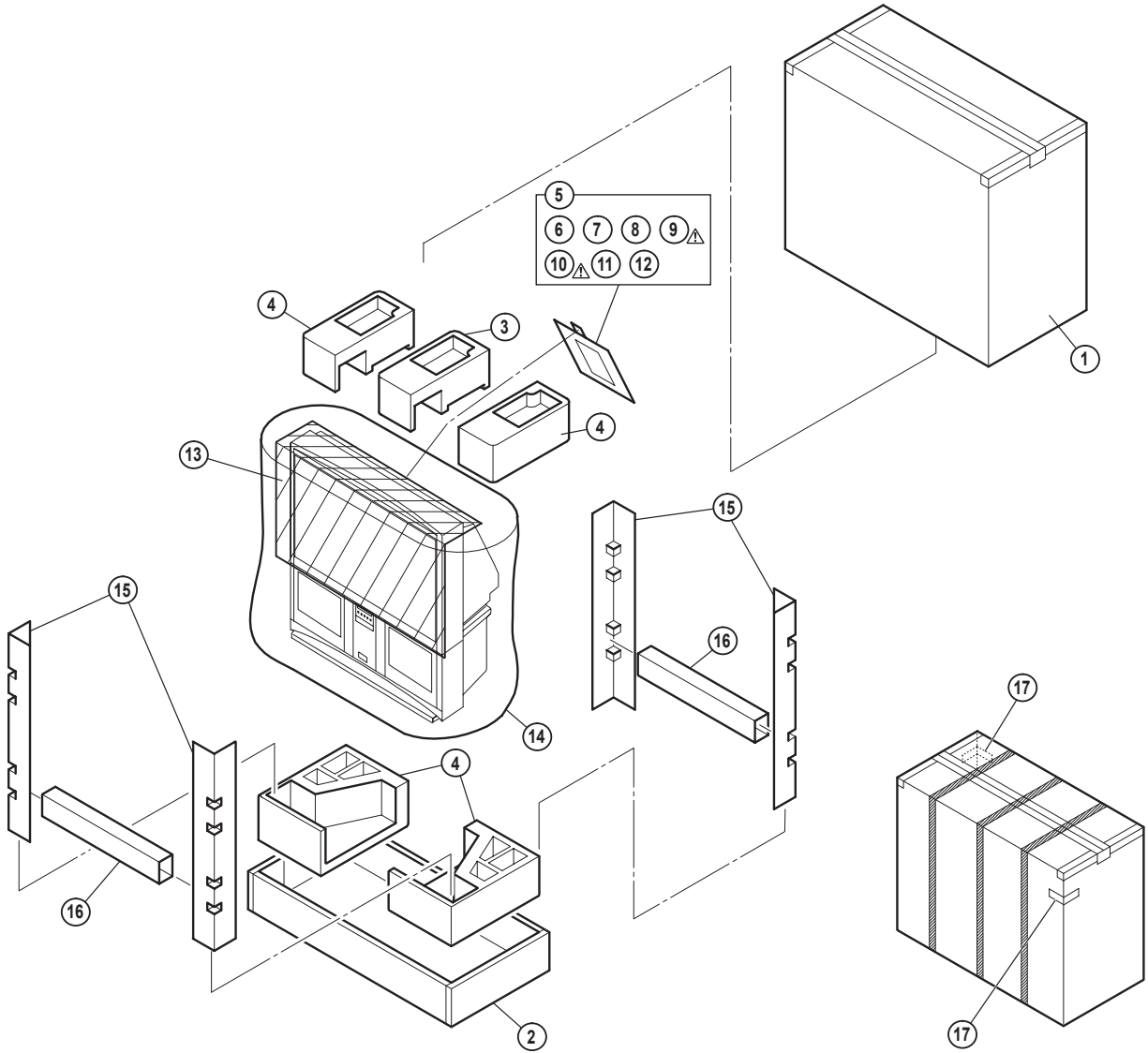
△ Ref.No.	Part No.	Part Name	Description	Local
	SSB0D069A-M2 SSB0D070A-M2	MI-COM & DIST MODULE PWB MI-COM & DIST MODULE PWB		AV-48WP74 AV-56WP74

REMOTE CONTROL UNIT PARTS LIST (RM-C1200G-1H)



△ Ref.No.	Part No.	Part Name	Description	Local
1	UR77EC1403A	BATTERY COVER		

PACKING



PACKING PARTS LIST

△	Ref.No.	Part No.	Part Name	Description	Local
	1	LC11252-004A-A	PACKING CASE		AV-48WP74
	1	LC11252-005A-A	PACKING CASE		AV-56WP74
	2	LC31759-001B-A	BOTTOM CASE		AV-48WP74
	2	LC31759-002A-A	BOTTOM CASE		AV-56WP74
	3	GQ10057-001A-A	TOP CUSHION		AV-48WP74
	3	GQ10054-001A-A	TOP CUSHION		AV-56WP74
	4	LC11254-002B-A	CUSHION ASSY	4pcs in 1set	AV-48WP74
	4	LC11410-002B-A	CUSHION ASSY	4pcs in 1set	AV-56WP74
	5	QPA02503505	POLY BAG	25cm x 35cm	
	6	GQ40028-001A-A	INSERT SHEET		
	7	-----	BATTERY	AA(x2)	
	8	RM-C1200G-1H	REMOCON UNIT		
△	9	LCT1282-001A-A	INST BOOK	English	
△	10	LCT1283-001A-A	INST BOOK	French	
	11	BT-51028-2Q	REGISTRATION CARD		
	12	BT-52006-1Q	WARRANTY CARD		
	13	CP30055-007-A	TOP COVER		
	14	CP30056-010-A	POLY BAG		AV-48WP74
	14	CP30056-011-A	POLY BAG		AV-56WP74
	15	LC31761-001B-A	PAD	(x4)	AV-48WP74
	15	LC31956-001B-A	PAD	(x4)	AV-56WP74
	16	LC32083-001B-A	PROTECT PAD	(x2)	AV-56WP74
	17	GQ30037-001A-A	CORNER LABEL	2pcs in 1set	