

PARTS LIST

CAUTION

- The parts identified by the \triangle symbol are important for the safety. Whenever replacing these parts, be sure to use specified ones to secure the safety.
- The parts not indicated in this Parts List and those which are filled with lines — in the Parts No. columns will not be supplied.
- P. W. Board Ass'y will not be supplied, but those which are filled with the Parts No. in the Parts No. columns will be supplied.

ABBREVIATIONS OF RESISTORS, CAPACITORS AND TOLERANCES

RESISTORS		CAPACITORS	
C R	Carbon Resistor	C CAP.	Ceramic Capacitor
F R	Fusible Resistor	E CAP.	Electrolytic Capacitor
P R	Plate Resistor	M CAP.	Mylar Capacitor
V R	Variable Resistor	HV CAP.	High Voltage Capacitor
HV R	High Voltage Resistor	MF CAP.	Metalized Film Capacitor
MF R	Metal Film Resistor	MM CAP.	Metalized Mylar Capacitor
MG R	Metal Glazed Resistor	MP CAP.	Metalized Polystyrol Capacitor
MP R	Metal Plate Resistor	PP CAP.	Polypropylene Capacitor
OM R	Metal Oxide Film Resistor	PS CAP.	Polystyrol Capacitor
CMF R	Coating Metal Film Resistor	TF CAP.	Thin Film Capacitor
UNF R	Non-Flammable Resistor	MPP CAP.	Metalized Polypropylene Capacitor
CH V R	Chip Variable Resistor	TAN. CAP.	Tantalum Capacitor
CH MG R	Chip Metal Glazed Resistor	CH C CAP.	Chip Ceramic Capacitor
COMP. R	Composition Resistor	BP E CAP.	Bi-Polar Electrolytic Capacitor
LPTC R	Linear Positive Temperature Coefficient Resistor	CH AL E CAP.	Chip Aluminum Electrolytic Capacitor
		CH AL BP CAP.	Chip Aluminum Bi-Polar Capacitor
		CH TAN. E CAP.	Chip Tantalum Electrolytic Capacitor
		CH AL BP E CAP.	Chip Tantalum Bi-Polar Electrolytic Capacitor

TOLERANCES									
F	G	J	K	M	N	R	H	Z	P
±1%	±2%	±5%	±10%	±20%	±30%	+30% -10%	+50% -10%	+80% -20%	+100% 0%

[AV-32360 / AV-32S36]

CONTENTS

■ USING CRT, P.W. BOARD & REMOTE CONTROL UNIT 36
 ■ EXPLODED VIEW PARTS LIST 38
 ■ EXPLODED VIEW 39
 ■ PRINTED WIRING BOARD PARTS LIST

[AV-32360/M , AV-32S36/M]

● MAIN PW BOARD ASS'Y 40
 ● CRT SOCKET PW BOARD ASS'Y 43
 ● PIP PW BOARD ASS'Y 44
 ● AV SELECTOR PW BOARD ASS'Y 45
 ● FRONT AV IN PW BOARD ASS'Y 46
 ● FRONT CONTROL PW BOARD ASS'Y 46

[AV-32360/R , AV-32S36/R]

● MAIN PW BOARD ASS'Y 47
 ● CRT SOCKET PW BOARD ASS'Y 50
 ● PIP PW BOARD ASS'Y 51
 ● AV SELECTOR PW BOARD ASS'Y 51
 ● FRONT AV IN PW BOARD ASS'Y 51
 ● FRONT CONTROL PW BOARD ASS'Y 51

[AV-32360/Y , AV-32S36/Y]

● MAIN PW BOARD ASS'Y 52
 ● CRT SOCKET PW BOARD ASS'Y 55
 ● PIP PW BOARD ASS'Y 56
 ● AV SELECTOR PW BOARD ASS'Y 56
 ● FRONT AV IN PW BOARD ASS'Y 56
 ● FRONT CONTROL PW BOARD ASS'Y 56

■ PACKING 57
 ■ PACKING PARTS LIST 57
 ■ REMOTE CONTROL UNIT PARTS LIST 57

USING CRT, P.W. BOARD & REMOTE CONTROL UNIT

P.W.B ASS'Y	Model	AV-32360/M	AV-32360/R	AV-32360/Y
		AV-32S36/M	AV-32S36/R	AV-32S36/Y
CRT (ITC TUBE)		M80JUA061X06	A80AEJ15X01	A80AKB50X04
MAIN PWB		SGE-1036A-M2	SGE-1037A-M2	SGE-1009A-M2
CRT SOCKET PWB		SGE-3006A-M2	SGE-3007A-M2	SGE-3004A-M2
PIP PWB		SGE-4001A-M2	←	←
AV SELECTOR PWB		SGE-5002A-M2	←	←
FRONT AV IN PWB		SGE-6002A-M2	←	←
FRONT CONTROL PWB		SGE-7002A-M2	←	←
REMOTE CONTROL UNIT		RM-C254-1H	←	←

[AV-32330 / AV-32S33 / AV-32320]

CONTENTS

■ USING CRT, P.W. BOARD & REMOTE CONTROL UNIT 37
 ■ EXPLODED VIEW PARTS LIST 58
 ■ EXPLODED VIEW 59
 ■ PRINTED WIRING BOARD PARTS LIST

[AV-32330/M , AV-32S33/M]

- MAIN PW BOARD ASS'Y 60
- CRT SOCKET PW BOARD ASSY 63
- AV SELECTOR PW BOARD ASS'Y 63
- FRONT AV IN PW BOARD ASSY 63
- FRONT CONTROL PW BOARD ASS'Y 63

[AV-32320/M]

- MAIN PW BOARD ASS'Y 72
- CRT SOCKET PW BOARD ASS'Y 75
- AV SELECTOR PW BOARD ASS'Y 75
- FRONT AV IN PW BOARD ASS'Y 76
- FRONT CONTROL PW BOARD ASS'Y 76

[AV-32330/R , AV-32S33/R]

- MAIN PW BOARD ASS'Y 64
- CRT SOCKET PW BOARD ASSY 67
- AV SELECTOR PW BOARD ASS'Y 67
- FRONT AV IN PW BOARD ASSY 67
- FRONT CONTROL PW BOARD ASS'Y 67

[AV-32320/R]

- MAIN PW BOARD ASS'Y 77
- CRT SOCKET PW BOARD ASS'Y 80
- AV SELECTOR PW BOARD ASS'Y 80
- FRONT AV IN PW BOARD ASS'Y 80
- FRONT CONTROL PW BOARD ASS'Y 80

[AV-32330/Y , AV-32S33/Y]

- MAIN PW BOARD ASS'Y 68
- CRT SOCKET PW BOARD ASSY 71
- AV SELECTOR PW BOARD ASS'Y 71
- FRONT AV IN PW BOARD ASSY 71
- FRONT CONTROL PW BOARD ASS'Y 71

[AV-32320/Y]

- MAIN PW BOARD ASS'Y 81
- CRT SOCKET PW BOARD ASS'Y 84
- AV SELECTOR PW BOARD ASS'Y 84
- FRONT AV IN PW BOARD ASS'Y 84
- FRONT CONTROL PW BOARD ASS'Y 84

■ PACKING & PACKING PARTS LIST 85
 ■ REMOTE CONTROL UNIT PARTS LIST 86

USING CRT, P.W. BOARD & REMOTE CONTROL UNIT

P.W.B ASS'Y	Model	AV-32330/M	AV-32330/R	AV-32330/Y	AV-32320/M	AV-32320/R	AV-32320/Y
		AV-32S33/M	AV-32S33/R	AV-32S33/Y			
CRT (ITC TUBE)		M80JUA061X06	A80AEJ15X01	A80AKB50X04	M80JUA061X06	A80AEJ15X01	A80AKB50X04
MAIN PWB		SGE-1042A-M2	SGE-1043A-M2	SGE-1012A-M2	SGE-1048A-M2	SGE-1049A-M2	SGE-1015A-M2
CRT SOCKET PWB		SGE-3006A-M2	SGE-3007A-M2	SGE-3004A-M2	SGE-3006A-M2	SGE-3007A-M2	SGE-3004A-M2
PIP PWB		x	x	x	x	x	x
AV SELECTOR PWB		SGE-5002A-M2	←	←	SGE-5003A-M2	←	←
FRONT AV IN PWB		SGE-6002A-M2	←	←	←	←	←
FRONT CONTROL PWB		SGE-7002A-M2	←	←	←	←	←
REMOTE CONTROL UNIT		RM-C255-1H	←	←	RM-C205-1C	←	←

[AV-32360 / AV-32S36]

EXPLODED VIEW PARTS LIST

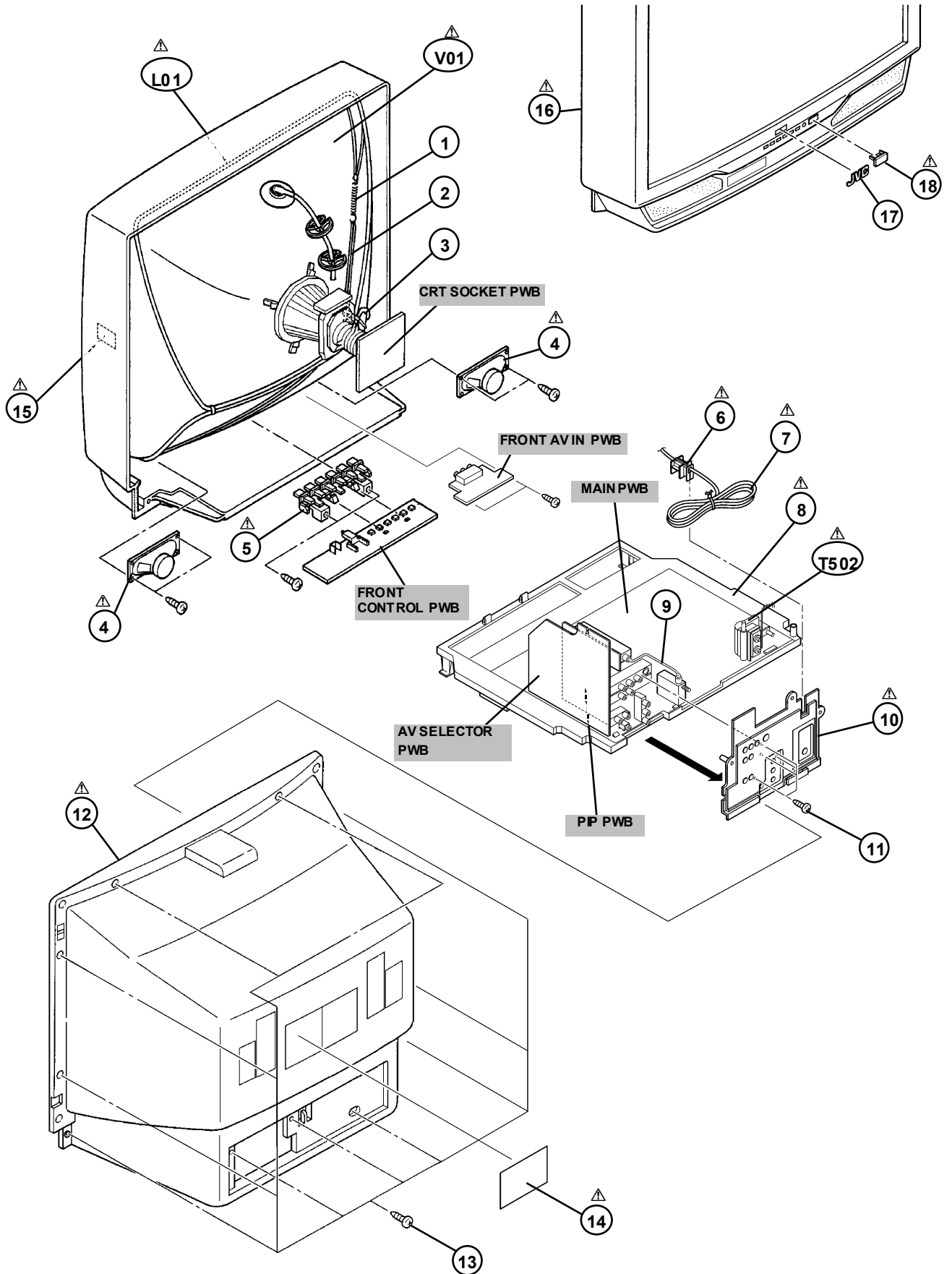
[AV-32360M, AV-32360/R, AV-32360/Y] : BLACK

△ Ref.No.	Part No.	Part Name	Description
△ V01	M80JUA061X06	ITC	[AV-32360/M] Inc.DY.PC MAGNET,WEDGE
△ V01	A80AEJ15X01	ITC	[AV-32360/R] Inc.DY.PC MAGNET,WEDGE
△ V01	A80AKB50X04	ITC	[AV-32360/Y] Inc.DY.PC MAGNET,WEDGE
△ L01	CELDO66-002JA	DEG COIL	
△ T502	QQH0121-001	FB TRANSF	
1	A48457-1	SPRING	
2	WJY0016-002A	E-BRAIDED ASSY	
3	WJY0013-004A	E-BRAIDED ASSY(SUB)	
△ 4	CEBSS12D-04KJ2	SPEAKER	(×2) SP01,SP02
△ 5	LC20674-001A-A	PUSH KNOB	(BLACK)
△ 6	LC20106-001D-A	POWER CORD CLAMP	
△ 7	QMPD390-200-JS	POWER CORD	or QMPD200-200-JC Within MAIN PWB(CNOPW)
△ 8	LC11056-001A-A	CHASSIS BASE	
△ 9	WJX0014-002A	E-COAXIAL ASSY	
△ 10	LC20899-006A-A	TERMINAL BOARD	
△ 11	QYSB5B3010Z	TAP SCREW	(×4)
△ 12	CM12915-003-MA	REAR COVER	
△ 13	QYSB5FG4016Z	TAP SCREW	(×11)
△ 14	LC31139-001A-A	RATING LABEL	
△ 15	GQ30034-001A-A	WARNING LABEL	
△ 16	CM12914-010-MA	FRONT CABINET	(BLACK)
△ 17	CM48006-006-C	JVC MARK	(BLACK)
△ 18	CM35983-001-H	REMOCON WINDOW	

[AV-32S36M, AV-32S36/R, AV-32S36/Y] : SILVER

△ Ref.No.	Part No.	Part Name	Description
△ V01	M80JUA061X06	ITC	[AV-32S36/M] Inc.DY.PC MAGNET,WEDGE
△ V01	A80AEJ15X01	ITC	[AV-32S36/R] Inc.DY.PC MAGNET,WEDGE
△ V01	A80AKB50X04	ITC	[AV-32S36/Y] Inc.DY.PC MAGNET,WEDGE
△ L01	CELDO66-002JA	DEG COIL	
△ T502	QQH0121-001	FB TRANSF	
1	A48457-1	SPRING	
2	WJY0016-002A	E-BRAIDED ASSY	
3	WJY0013-004A	E-BRAIDED ASSY(SUB)	
△ 4	CEBSS12D-04KJ2	SPEAKER	(×2) SP01,SP02
△ 5	LC20674-004A-A	PUSH KNOB	(SILVER)
△ 6	LC20106-001D-A	POWER CORD CLAMP	
△ 7	QMPD390-200-JS	POWER CORD	or QMPD200-200-JC Within MAIN PWB(CNOPW)
△ 8	LC11056-001A-A	CHASSIS BASE	
△ 9	WJX0014-002A	E-COAXIAL ASSY	
△ 10	LC20899-006A-A	TERMINAL BOARD	
△ 11	QYSB5B3010Z	TAP SCREW	(×4)
△ 12	CM12915-003-MA	REAR COVER	
△ 13	QYSB5FG4016Z	TAP SCREW	(×11)
△ 14	LC31139-001A-A	RATING LABEL	
△ 15	GQ30034-001A-A	WARNING LABEL	
△ 16	CM12914-012-MA	FRONT CABINET	(SILVER)
△ 17	CM48006-007-C	JVC MARK	(SILVER)
△ 18	CM35983-001-H	REMOCON WINDOW	

EXPLODED VIEW



[AV-32360/M , AV-32S36/M]

PRINTED WIRING BOARD PARTS LIST

MAIN P.W. BOARD ASS'Y (SGE-1036A-M2)

Symbol No.	Part No.	Part Name	Description
RESISTOR			
R002	NRSA63J-0R0X	MG R	0.0Ω 1/16W J
R003	NRSA63J-101X	MG R	100Ω 1/16W J
R004	NRSA63J-101X	MG R	100Ω 1/16W J
R005	NRSA63J-0R0X	MG R	0.0Ω 1/16W J
R008	NRSA63J-820X	MG R	82Ω 1/16W J
R009	NRSA63J-682X	MG R	6.8kΩ 1/16W J
R101	NRSA63J-562X	MG R	5.6kΩ 1/16W J
R102	NRSA63J-182X	MG R	1.8kΩ 1/16W J
R103	QRE121J-101Y	C R	100Ω 1/2W J
R104	NRSA63J-180X	MG R	18Ω 1/16W J
R105	NRSA63J-270X	MG R	27Ω 1/16W J
R111	NRSA63J-394X	MG R	390kΩ 1/16W J
R112	NRSA63J-334X	MG R	330kΩ 1/16W J
R113	NRSA63J-101X	MG R	100Ω 1/16W J
R115	NRSA63J-101X	MG R	100Ω 1/16W J
R116	NRSA63J-680X	MG R	68Ω 1/16W J
R117	NRSA63J-273X	MG R	27kΩ 1/16W J
R118	NRSA63J-223X	MG R	22kΩ 1/16W J
R131	NRSA63J-102X	MG R	1kΩ 1/16W J
R132	NRSA63J-331X	MG R	330Ω 1/16W J
R133	NRSA63J-821X	MG R	820Ω 1/16W J
R134	NRSA63J-561X	MG R	560Ω 1/16W J
R135	NRSA63J-102X	MG R	1kΩ 1/16W J
R161	NRSA63J-332X	MG R	3.3kΩ 1/16W J
R162	NRSA63J-0R0X	MG R	0.0Ω 1/16W J
R163	NRSA63J-223X	MG R	22kΩ 1/16W J
R164	NRSA63J-102X	MG R	1kΩ 1/16W J
R165	NRSA63J-223X	MG R	22kΩ 1/16W J
R166	NRSA63J-103X	MG R	10kΩ 1/16W J
R167	NRSA63J-102X	MG R	1kΩ 1/16W J
R168	NRSA63J-101X	MG R	100Ω 1/16W J
R169	NRSA63J-561X	MG R	560Ω 1/16W J
R171	NRSA63J-103X	MG R	10kΩ 1/16W J
R201	NRSA63J-223X	MG R	22kΩ 1/16W J
R212	NRSA63J-272X	MG R	2.7kΩ 1/16W J
R215	NRSA63J-562X	MG R	5.6kΩ 1/16W J
R216	NRSA63J-562X	MG R	5.6kΩ 1/16W J
R217	NRSA63J-102X	MG R	1kΩ 1/16W J
R222	NRSA63J-0R0X	MG R	0.0Ω 1/16W J
R227	NRSA63J-104X	MG R	100kΩ 1/16W J
R231	NRSA63J-182X	MG R	1.8kΩ 1/16W J
R237	NRSA63J-392X	MG R	3.9kΩ 1/16W J
R238	NRSA63J-473X	MG R	47kΩ 1/16W J
R241	NRSA63J-332X	MG R	3.3kΩ 1/16W J
R243	NRSA63J-152X	MG R	1.5kΩ 1/16W J
R281	NRSA63J-182X	MG R	1.8kΩ 1/16W J
R282	NRSA63J-392X	MG R	3.9kΩ 1/16W J
R283	NRSA63J-681X	MG R	680Ω 1/16W J
R286	NRSA63J-472X	MG R	4.7kΩ 1/16W J
R287	NRSA63J-101X	MG R	100Ω 1/16W J
R288	NRSA63J-471X	MG R	470Ω 1/16W J
R289	NRSA63J-154X	MG R	150kΩ 1/16W J
R290	NRSA63J-561X	MG R	560Ω 1/16W J
R292	NRSA63J-124X	MG R	120kΩ 1/16W J
R293	NRSA63J-224X	MG R	220kΩ 1/16W J
R301	NRSA63J-222X	MG R	2.2kΩ 1/16W J
R302	NRSA63J-222X	MG R	2.2kΩ 1/16W J
R303	NRSA63J-222X	MG R	2.2kΩ 1/16W J
R304	NRSA63J-101X	MG R	100Ω 1/16W J
R305	NRSA63J-101X	MG R	100Ω 1/16W J
R306	NRSA63J-101X	MG R	100Ω 1/16W J
R354	NRSA63J-0R0X	MG R	0.0Ω 1/16W J
R355	NRSA63J-0R0X	MG R	0.0Ω 1/16W J
R356	NRSA63J-123X	MG R	12kΩ 1/16W J
R359	NRSA63J-103X	MG R	10kΩ 1/16W J
R360	NCB31HK-103X	C CAP	0.01μF 50V K
R421	NRSA63J-822X	MG R	8.2kΩ 1/16W J
R423	NRSA63J-393X	MG R	39kΩ 1/16W J
R424	NRSA63J-393X	MG R	39kΩ 1/16W J
R426	NRSA63J-183X	MG R	18kΩ 1/16W J
R427	QRT029J-1R5	MF R	1.5Ω 2W J
R429	NRSA63J-272X	MG R	2.7kΩ 1/16W J
R430	NRSA63J-0R0X	MG R	0.0Ω 1/16W J

Symbol No.	Part No.	Part Name	Description
RESISTOR			
R431	NRSA63J-152X	MG R	1.5kΩ 1/16W J
R432	NRSA63J-101X	MG R	100Ω 1/16W J
R433	NRSA63J-681X	MG R	680Ω 1/16W J
R434	QRL029J-181	OM R	180Ω 2W J
R435	QRE121J-102Y	C R	1kΩ 1/2W J
R441	NRSA63J-0R0X	MG R	0.0Ω 1/16W J
R447	NRSA63J-104X	MG R	100kΩ 1/16W J
R448	NRSA63J-473X	MG R	47kΩ 1/16W J
R449	NRSA63J-103X	MG R	10kΩ 1/16W J
R501	NRSA63J-0R0X	MG R	0.0Ω 1/16W J
R502	NRSA63J-271X	MG R	270Ω 1/16W J
R503	QRE121J-103Y	C R	10kΩ 1/2W J
R504	QRL029J-102	OM R	1kΩ 3W J
R505	QRL029J-102	OM R	1kΩ 3W J
R511	QRE121J-220Y	C R	22Ω 1/2W J
R512	QRE121J-681Y	C R	680Ω 1/2W J
R523	QRJ146J-333X	C R	33kΩ 1/4W J
R526	QRE121J-272Y	C R	2.7kΩ 1/2W J
R527	QRE121J-154Y	C R	150kΩ 1/2W J
R528	QRE121J-154Y	C R	150kΩ 1/2W J
R529	NRSA63J-331X	MG R	330Ω 1/16W J
R531	QRJ146J-391X	C R	390Ω 1/4W J
R532	NRSA63J-273X	MG R	27kΩ 1/16W J
R533	NRSA63J-123X	MG R	12kΩ 1/16W J
R534	NRSA63J-123X	MG R	12kΩ 1/16W J
Δ R535	NRVA02D-222X	MF R	2.2kΩ 1/10W D
Δ R537	NRVA02D-752X	MF R	7.5kΩ 1/10W D
R538	NRSA63J-333X	MG R	33kΩ 1/16W J
R543	QRE121J-122Y	C R	1.2kΩ 1/2W J
R544	QRE121J-392Y	C R	3.9kΩ 1/2W J
R545	QRE121J-822Y	C R	8.2kΩ 1/2W J
R546	NRSA63J-331X	MG R	330Ω 1/16W J
R547	NRSA63J-104X	MG R	100kΩ 1/16W J
R548	QRE121J-152Y	C R	1.5kΩ 1/2W J
R553	QRL029J-180	OM R	180Ω 3W J
Δ R554	QRK126J-150X	C R	15Ω 1/2W J
R555	QRX029J-3R3	MF R	3.3Ω 2W J
R601	NRSA63J-750X	MG R	75Ω 1/16W J
R602	NRSA63J-750X	MG R	75Ω 1/16W J
R603	NRSA63J-750X	MG R	75Ω 1/16W J
R614	NRSA63J-682X	MG R	6.8kΩ 1/16W J
R615	NRSA63J-332X	MG R	3.3kΩ 1/16W J
R621	NRSA63J-682X	MG R	6.8kΩ 1/16W J
R622	NRSA63J-681X	MG R	680Ω 1/16W J
R623	NRSA63J-682X	MG R	6.8kΩ 1/16W J
R624	NRSA63J-681X	MG R	680Ω 1/16W J
R626	NRSA63J-223X	MG R	22kΩ 1/16W J
R627	NRSA63J-223X	MG R	22kΩ 1/16W J
R631	NRSA63J-333X	MG R	33kΩ 1/16W J
R632	NRSA63J-223X	MG R	22kΩ 1/16W J
R638	NRSA63J-0R0X	MG R	0.0Ω 1/16W J
R639	NRSA63J-0R0X	MG R	0.0Ω 1/16W J
R651	NRSA63J-0R0X	MG R	0.0Ω 1/16W J
R652	NRSA63J-0R0X	MG R	0.0Ω 1/16W J
R653	NRSA63J-0R0X	MG R	0.0Ω 1/16W J
R655	NRSA63J-153X	MG R	15kΩ 1/16W J
R700	NRSA63J-102X	MG R	1kΩ 1/16W J
R701	NRSA63J-103X	MG R	10kΩ 1/16W J
R702	NRSA63J-102X	MG R	1kΩ 1/16W J
R704	NRSA63J-472X	MG R	4.7kΩ 1/16W J
R705	NRSA63J-472X	MG R	4.7kΩ 1/16W J
R706	NRSA63J-472X	MG R	4.7kΩ 1/16W J
R707	NRSA63J-103X	MG R	10kΩ 1/16W J
R708	NRSA63J-101X	MG R	100Ω 1/16W J
R709	NRSA63J-101X	MG R	100Ω 1/16W J
R714	NRSA63J-823X	MG R	82kΩ 1/16W J
R715	NRSA63J-103X	MG R	10kΩ 1/16W J
R718	NRSA63J-223X	MG R	22kΩ 1/16W J
R721	NRSA63J-102X	MG R	1kΩ 1/16W J
R728	NRSA63J-102X	MG R	1kΩ 1/16W J
R729	NRSA63J-223X	MG R	22kΩ 1/16W J
R731	NRSA63J-101X	MG R	100Ω 1/16W J
R732	NRSA63J-101X	MG R	100Ω 1/16W J

[AV-32360/M , AV-32S36/M]

Symbol No.	Part No.	Part Name	Description
RESISTOR			
R733	NRS463J-472X	MG R	4.7kΩ 1/16W J
R734	NRS463J-472X	MG R	4.7kΩ 1/16W J
R737	NRS463J-472X	MG R	4.7kΩ 1/16W J
R739	NRS463J-0R0X	MG R	0.0Ω 1/16W J
R740	NRS463J-103X	MG R	10kΩ 1/16W J
R754	NRS463J-472X	MG R	4.7kΩ 1/16W J
R755	NRS463J-153X	MG R	15kΩ 1/16W J
R756	NRS463J-103X	MG R	10kΩ 1/16W J
R764	NRS463J-221X	MG R	220Ω 1/16W J
R765	NRS463J-221X	MG R	220Ω 1/16W J
R766	NRS463J-221X	MG R	220Ω 1/16W J
R767	NRS463J-221X	MG R	220Ω 1/16W J
R769	NRS463J-682X	MG R	6.8kΩ 1/16W J
R772	NRS463J-103X	MG R	10kΩ 1/16W J
R775	NRS463J-473X	MG R	47kΩ 1/16W J
R776	NRS463J-103X	MG R	10kΩ 1/16W J
R811	NRS463J-473X	MG R	47kΩ 1/16W J
R812	NRS463J-102X	MG R	1kΩ 1/16W J
R816	NRS463J-124X	MG R	120kΩ 1/16W J
R821	NRS463J-184X	MG R	180kΩ 1/16W J
R822	NRS463J-124X	MG R	120kΩ 1/16W J
R827	NRS463J-102X	MG R	1kΩ 1/16W J
R855	QRG089J-100	OM R	10Ω 3W J
△ R857	QRL029J-270	OM R	27Ω 2W J
△ R858	QRL029J-180	OM R	18Ω 2W J
△ R901	QRFO74K-R47	UNF R	0.47Ω 7W K
△ R909	QRG01GJ-470	OM R	47Ω 1W J
R911	QRE121J-223Y	C R	22kΩ 1/2W J
R912	QRT029J-R22	MF R	0.22Ω 2W J
R913	QRT029J-R22	MF R	0.22Ω 2W J
R914	QRK126J-681X	C R	680Ω 1/2W J
R915	QRK129J-6R8	C R	6.8Ω 1/2W J
R917	QRK126J-332X	C R	3.3kΩ 1/2W J
R918	QRE121J-222Y	C R	2.2kΩ 1/2W J
R919	QRE121J-684Y	C R	680kΩ 1/2W J
R924	QRE121J-222Y	C R	2.2kΩ 1/2W J
R930	QRE121J-223Y	C R	22kΩ 1/2W J
R939	QRT089J-2R2	MF R	2.2Ω 3W J
R940	QRE121J-181Y	C R	180Ω 1/2W J
R941	QRL029J-183	OM R	18kΩ 2W J
R950	NRS463J-0R0X	MG R	0.0Ω 1/16W J
R951	NRS463J-473X	MG R	47kΩ 1/16W J
R952	NRS463J-102X	MG R	1kΩ 1/16W J
R953	QRE121J-820Y	C R	82Ω 1/2W J
R973	QRE121J-272Y	C R	2.7kΩ 1/2W J
R975	QRE121J-223Y	C R	22kΩ 1/2W J
R977	QRE121J-473Y	C R	47kΩ 1/2W J
R978	NRS463J-333X	MG R	33kΩ 1/16W J
R979	QRT029J-1R2	MF R	1.2Ω 2W J
R980	QRT029J-1R2	MF R	1.2Ω 2W J
△ R998	QRZ9041-275	C R	2.7MΩ 1/2W K
R999	QRE121J-121Y	C R	120Ω 1/2W J

Symbol No.	Part No.	Part Name	Description
CAPACITOR			
C001	QETNLHM-475Z	E CAP.	4.7μF 50V M
C003	QETNLHM-106Z	E CAP.	10μF 50V M
C004	QETNLHM-108Z	E CAP.	1000pF 16V M
C006	QETNLEM-476Z	E CAP.	47μF 25V M
C101	NCB31HK-103X	C CAP.	0.01μF 50V K
C102	NCB31HK-103X	C CAP.	0.01μF 50V K
C104	NCB31HK-103X	C CAP.	0.01μF 50V K
C105	NCB31HK-103X	C CAP.	0.01μF 50V K
C106	QETNLEM-476Z	E CAP.	47μF 25V M
C107	NCB31HK-103X	C CAP.	0.01μF 50V K
C113	NCB31HK-103X	C CAP.	0.01μF 50V K
C114	NCB31HK-103X	C CAP.	0.01μF 50V K
C116	QFVFLHJ-224Z	MF CAP.	0.22μF 50V J
C117	QETNLEM-476Z	E CAP.	47μF 25V M
C118	NCB31HK-103X	C CAP.	0.01μF 50V K
C119	NDC31HJ-681X	C CAP.	680pF 50V J
C120	QETNLHM-474Z	E CAP.	0.47μF 50V M
C124	NCB31HK-103X	C CAP.	0.01μF 50V K
C131	NCB31HK-103X	C CAP.	0.01μF 50V K
C161	QETNLHM-106Z	E CAP.	10μF 50V M
C163	NDC31HJ-470X	C CAP.	47pF 50V J
C164	NDC31HJ-470X	C CAP.	47pF 50V J
C165	NCB31HK-103X	C CAP.	0.01μF 50V K

Symbol No.	Part No.	Part Name	Description
CAPACITOR			
C166	NCB31HK-103X	C CAP.	0.01μF 50V K
C202	QETNLHM-105Z	E CAP.	1μF 50V M
C203	NCB31HK-152X	C CAP.	1500pF 50V K
C211	QENCLCM-106Z	E CAP.	10μF 16V M
C212	NDC31HJ-100X	C CAP.	10pF 50V J
C221	QETNLHM-106Z	E CAP.	10μF 50V M
C222	QFVFLHJ-104Z	MF CAP.	0.1μF 50V J
C223	NCB31HK-103X	C CAP.	0.01μF 50V K
C233	NDC31HJ-680X	C CAP.	68pF 50V J
C237	NCB31HK-103X	C CAP.	0.01μF 50V K
C241	NCB31HK-103X	C CAP.	0.01μF 50V K
C242	QETNLHM-225Z	E CAP.	2.2μF 50V M
C243	QETNLHM-107Z	E CAP.	100μF 16V M
C244	NCB31HK-103X	C CAP.	0.01μF 50V K
C281	QFVFLHJ-474Z	MF CAP.	0.47μF 50V J
C282	QETNLHM-107Z	E CAP.	100μF 16V M
C283	NCB31HK-103X	C CAP.	0.01μF 50V K
C284	QETNLHM-225Z	E CAP.	2.2μF 50V M
C285	NCB31HK-103X	C CAP.	0.01μF 50V K
C286	QETNLHM-106Z	E CAP.	10μF 50V M
C287	QETNLHM-107Z	E CAP.	100μF 16V M
C288	NCB31HK-103X	C CAP.	0.01μF 50V K
C352	QETNLHM-336Z	E CAP.	33μF 16V M
C354	NCB31HK-103X	C CAP.	0.01μF 50V K
C391	QETNLHM-107Z	E CAP.	100μF 16V M
C392	NCB31HK-103X	C CAP.	0.01μF 50V K
C422	QFLCZAJ-102Z	M CAP.	1000pF 100V J
C424	QETNLHM-107Z	E CAP.	100μF 35V M
C425	QETNLHM-477Z	E CAP.	470μF 35V M
C427	QETNLHM-105Z	E CAP.	1μF 50V M
C428	QETNLEM-228	E CAP.	2200pF 25V M
C431	QFLCZAJ-563Z	M CAP.	0.056μF 100V K
C432	QETNLEM-476Z	E CAP.	47μF 25V M
C433	QETNLEM-476Z	E CAP.	47μF 25V M
C435	NCB21HK-183X	C CAP.	0.018μF 50V K
C440	QCS32HJ-220Z	C CAP.	22pF 500V J
C501	QCB32HK-151Z	C CAP.	150pF 500V K
C502	QCB32HK-331Z	C CAP.	330pF 500V K
C503	QEHRCM-105Z	E CAP.	1μF 160V M
C504	QEZ0203-107	E CAP.	100μF 160V M
C507	QEM6LHK-475Z	E CAP.	4.7μF 50V K
C508	QEM6LHK-475Z	E CAP.	4.7μF 50V K
△ C510	QFZ0196-53Z	MPP CAP.	5300pF1.5kVH±3%
△ C510	or QFZ0200-53Z	MPP CAP.	5300pF1.5kVH±3%
△ C513	QFZ0198-133	MPP CAP.	0.013μF1.5kVH±3%
△ C514	QFP32GJ-183	PP CAP.	0.018μF 400V J
△ C515	QFZ0197-564	MPP CAP.	0.56μF 250V J
△ C515	or QFZ0199-564	MPP CAP.	0.56μF 250V J
△ C516	QCB32HK-561Z	C CAP.	560pF 500V K
C521	QETNLEM-106Z	E CAP.	10μF 50V M
C523	QEHRLVM-108Z	E CAP.	1000μF 35V M
C525	QETNLHM-107Z	E CAP.	100μF 35V M
C526	QFV21HJ-824Z	MF CAP.	0.82μF 50V J
C527	QFLCZAJ-103Z	M CAP.	0.01μF 100V J
C531	QCB32HK-102Z	C CAP.	1000pF 500V K
C533	QETNLHM-106Z	E CAP.	10μF 50V M
C601	QETNLEM-476Z	E CAP.	47μF 25V M
C602	QETNLEM-476Z	E CAP.	47μF 25V M
C603	QETNLEM-476Z	E CAP.	47μF 25V M
C604	NCB31EK-104X	C CAP.	0.1μF 25V K
C605	NCB31EK-104X	C CAP.	0.1μF 25V K
C606	NCB31EK-104X	C CAP.	0.1μF 25V K
C607	QETNLHM-477Z	E CAP.	470μF 10V M
C608	NCB31HK-103X	C CAP.	0.01μF 50V K
C609	QFVFLHJ-104Z	MF CAP.	0.1μF 50V J
C610	QFVFLHJ-104Z	MF CAP.	0.1μF 50V J
C611	QFVFLHJ-104Z	MF CAP.	0.1μF 50V J
C621	NCB31HK-102X	C CAP.	1000pF 50V K
C622	NCF21CZ-105X	C CAP.	1μF 16V Z
C623	NCB31HK-102X	C CAP.	1000pF 50V K
C624	NCF21CZ-105X	C CAP.	1μF 16V Z
C625	QETNLHM-107Z	E CAP.	100μF 16V M
C626	QETNLEM-108Z	E CAP.	1000μF 25V M
C627	QETNLHM-474Z	E CAP.	0.47μF 50V M
C628	QETNLEM-108Z	E CAP.	1000μF 25V M
C629	QETNLEM-108Z	E CAP.	1000μF 25V M
C636	QETNLHM-105Z	E CAP.	1μF 50V M
C637	QETNLHM-105Z	E CAP.	1μF 50V M
C652	NCB31EK-104X	C CAP.	0.1μF 25V K

[AV-32360/M , AV-32S36/M]

Symbol No.	Part No.	Part Name	Description
CAPACITOR			
C653	NCB31EK-104X	C CAP.	0.1 μ F 25V K
C654	NCB31EK-104X	C CAP.	0.1 μ F 25V K
C655	NCB31HK-103X	C CAP.	0.01 μ F 50V K
C656	NDC31HJ-150X	C CAP.	15pF 50V J
C657	NDC31HJ-150X	C CAP.	15pF 50V J
C658	NDC31HJ-150X	C CAP.	15pF 50V J
C700	NCB31HK-102X	C CAP.	1000pF 50V K
C701	QETN1HM-106Z	E CAP.	10 μ F 50V M
C702	QETN1HM-106Z	E CAP.	10 μ F 50V M
C703	QETN1HM-106Z	E CAP.	10 μ F 50V M
C704	QETN1CM-107Z	E CAP.	100 μ F 16V M
C705	NCB31HK-103X	C CAP.	0.01 μ F 50V K
C706	QETN1HM-105Z	E CAP.	1 μ F 50V M
C708	NDC31HJ-220X	C CAP.	22pF 50V J
C709	NDC31HJ-220X	C CAP.	22pF 50V J
C711	QETN1CM-107Z	E CAP.	100 μ F 16V M
C712	NCB31HK-103X	C CAP.	0.01 μ F 50V K
C716	QETN1HM-106Z	E CAP.	10 μ F 50V M
C721	NCB31HK-103X	C CAP.	0.01 μ F 50V K
C726	NDC31HJ-561X	C CAP.	560pF 50V J
C728	NCB31HK-103X	C CAP.	0.01 μ F 50V K
C807	QETN1AM-477Z	E CAP.	470 μ F 10V M
C813	NCB31HK-102X	C CAP.	1000pF 50V K
C815	NCB31HK-103X	C CAP.	0.01 μ F 50V K
C853	QETN1CM-227Z	E CAP.	220 μ F 16V M
C854	QETN1CM-227Z	E CAP.	220 μ F 16V M
C856	QETN1CM-227Z	E CAP.	220 μ F 16V M
C857	QETN1CM-477Z	E CAP.	470 μ F 16V M
△ C901	QFZ9067-104	MF CAP.	0.1 μ FAC275V M
△ C902	QFZ9075-473	MPP CAP.	0.047 μ FAC275V K
△ C902	or QFZ9072-473	MF CAP.	0.047 μ FAC275V K
△ C904	QCZ9054-102	C CAP.	1000pFAC250V Z
△ C905	QCZ9054-102	C CAP.	1000pFAC250V Z
△ C906	QCZ9054-102	C CAP.	1000pFAC250V Z
△ C907	QEZ0169-477	E CAP.	470 μ F 200V M
△ C908	QCZ9054-102	C CAP.	1000pFAC250V M
△ C908	or QCZ9079-102	C CAP.	1000pFAC250V M
△ C912	QCZ0340-22Z	C CAP.	2200pF 2kV K
△ C913	QFLC1HJ-471Z	M CAP.	470pF 50V J
△ C914	QETN1HM-107Z	E CAP.	100 μ F 50V M
△ C916	NDC31HJ-331X	C CAP.	330pF 50V J
△ C917	NCB31HK-182X	C CAP.	1800pF 50V K
△ C918	NCB21HK-104X	C CAP.	0.1 μ F 50V K
△ C919	QFP32GJ-103	PP CAP.	0.01 μ F 400V J
△ C931	QEZ0203-107	E CAP.	100 μ F 160V M
△ C933	QETN1CM-108Z	E CAP.	1000 μ F 16V M
△ C934	NDC31HJ-151X	C CAP.	150pF 50V J
△ C935	QETN1EM-108Z	E CAP.	1000 μ F 25V M
△ C937	QCZ0340-102	C CAP.	1000pF 2kV K
△ C938	QETN1CM-477Z	E CAP.	470 μ F 16V M
△ C939	QCB32HK-152Z	C CAP.	1500pF 500V K
△ C941	QCB32HK-102Z	C CAP.	1000pF 500V K
△ C942	QEHL1HM-105Z	E CAP.	1 μ F 50V M
△ C951	QETN1EM-477Z	E CAP.	470 μ F 25V M
△ C952	QETN1CM-227Z	E CAP.	220 μ F 16V M
△ C971	QETN1CM-107Z	E CAP.	100 μ F 16V M
△ C972	QETN1EM-476Z	E CAP.	47 μ F 25V M
△ C973	QETN1HM-106Z	E CAP.	10 μ F 50V M
△ C997	QCZ9052-102	C CAP.	1000pFAC125V M
△ C998	QCZ9074-103	C CAP.	0.01 μ FAC250V M
△ C999	QCZ9074-103	C CAP.	0.01 μ FAC250V M

Symbol No.	Part No.	Part Name	Description
TRANSF			
T111	QQR0907-001	IFT	
T501	CE42034-002	HOR DRIVE TRANS	
△ T502	QQH0121-001	FB TRANSF	
△ T921	QOS0138-001	SW TRANSF	
△ T951	QQT0355-001	POWER TRANSF	or QQT0372-001

Symbol No.	Part No.	Part Name	Description
COIL			
L001	QQL244K-560Z	COIL	56 μ H K
L101	QQL2014-R22	INDUCTOR	
L113	QQL244K-4R7Z	COIL	4.7 μ H K
L131	QQL244K-150Z	COIL	15 μ H K
L161	QQL244K-220Z	INDUCTOR	
L232	QQL244K-560Z	COIL	56 μ H K
L241	QQL244K-220Z	INDUCTOR	
L391	QQL244K-220Z	INDUCTOR	

Symbol No.	Part No.	Part Name	Description
COIL			
△ L511	QQR1027-003	LINEARITY COIL	
L512	QQL2036-821	INDUCTOR	or QQL2027-821
△ L521	QQL2026-640	INDUCTOR	
L701	QQL244K-220Z	INDUCTOR	
L702	QQL244K-220Z	INDUCTOR	
L703	QQL244K-220Z	INDUCTOR	
L704	QQL244K-220Z	INDUCTOR	
L705	QQL244K-220Z	INDUCTOR	
L931	QQL26AK-470Z	COIL	47 μ H K
L933	QQL26AK-470Z	COIL	47 μ H K
L940	QQR0582-001Z	FERRITE BEADS	

Symbol No.	Part No.	Part Name	Description
DIODE			
D305	1SS133-T2	SI DIODE	
D306	1SS133-T2	SI DIODE	
D307	1SS133-T2	SI DIODE	
D308	1SS133-T2	SI DIODE	
D309	1SS133-T2	SI DIODE	
D310	1SS133-T2	SI DIODE	
D352	MTZJ9-1C-T2	Z DIODE	
D353	1SS133-T2	SI DIODE	
D354	MTZJ9-3A-T2	Z DIODE	
D421	1N4003-T2	SI DIODE	
D422	MTZJ75-T2	Z DIODE	
D432	1SS133-T2	SI DIODE	
D501	RH3G-F1	SI DIODE	
△ D502	RU3M-LFC4	SI DIODE	
D521	RH1S-T3	SI DIODE	
D523	RGP10J-5025-T3	SI DIODE	
D525	1SS181-T5	SI DIODE	
D526	1SS181-T5	SI DIODE	
D527	1SR124-400A-T2	SI DIODE	
D529	MTZJ5-1C-T2	Z DIODE	
△ D531	MA4068N/Z1/-T2	Z DIODE	
D535	1SS133-T2	SI DIODE	
D537	1SR35-400A-T2	SI DIODE	
D601	MTZJ9-1C-T2	Z DIODE	
D602	MTZJ9-1C-T2	Z DIODE	
D603	MTZJ9-1C-T2	Z DIODE	
D653	1SS133-T2	SI DIODE	
D654	1SS133-T2	SI DIODE	
D700	MTZJ5-6B-T2	Z DIODE	
D701	1SS133-T2	SI DIODE	
D703	MTZJ5-6B-T2	Z DIODE	
D704	MTZJ5-6B-T2	Z DIODE	
D705	1SS133-T2	SI DIODE	
D706	MTZJ5-6B-T2	Z DIODE	
D707	MTZJ5-6B-T2	Z DIODE	
D708	MTZJ5-6B-T2	Z DIODE	
D709	MTZJ5-6B-T2	Z DIODE	
D721	1SS133-T2	SI DIODE	
D722	1SS133-T2	SI DIODE	
D723	MTZJ5-6B-T2	Z DIODE	
D810	MTZJ5-6B-T2	Z DIODE	
△ D901	G51B460-S1	BRIDGE DIODE	
D910	MA700A-T2	SB DIODE	
△ D911	RGP10J-5025-T3	SI DIODE	
△ D912	RGP10J-5025-T3	SI DIODE	
△ D913	RGP10J-5025-T3	SI DIODE	
D914	1SS133-T2	SI DIODE	
D915	SAR501-T2	SI DIODE	
D917	MTZJ30A-T2	Z DIODE	
D918	MTZJ5-1C-T2	Z DIODE	
D920	1SS133-T2	SI DIODE	
D931	RU30A-F1	SI DIODE	
D933	RU3M-LFC4	SI DIODE	
D935	RU3M-LFC4	SI DIODE	
D941	MTZJ33A-T2	Z DIODE	
D945	MTZJ9-1B-T2	Z DIODE	
D952	1SS133-T2	SI DIODE	
D953	1SS133-T2	SI DIODE	
D954	1N4002G-T2	SI DIODE	
D955	1N4002G-T2	SI DIODE	
D956	1N4002G-T2	SI DIODE	
D957	1N4002G-T2	SI DIODE	
D972	MTZJ15C-T2	Z DIODE	
D973	1SS133-T2	SI DIODE	

Symbol No.	Part No.	Part Name	Description
TRANSISTOR			
Q001	UN2212-X	DIGI TRANSISTOR	
Q101	2SC5083/L-P/-T	TRANSISTOR	
Q131	2SB709A/QR/-X	TRANSISTOR	

[AV-32360/M , AV-32S36/M]

Symbol No.	Part No.	Part Name	Description
TRANSISTOR			
Q161	2SD601A/QR/-X	TRANSISTOR	
Q211	2SD601A/QR/-X	TRANSISTOR	
Q232	2SD601A/QR/-X	TRANSISTOR	
Q233	2SD601A/QR/-X	TRANSISTOR	
Q352	2SD601A/QR/-X	TRANSISTOR	
Q431	UN2212-X	DIGI TRANSISTOR	
Q501	2SC4212/Z1/	TRANSISTOR	
△ Q511	2SD2645-YD	POWER TRANSISTO	H. OUT
△ Q531	2SC2785/JH/-T	SI TRANSISTOR	
Q532	2SB709A/QR/-X	TRANSISTOR	
Q541	2SB709A/QR/-X	TRANSISTOR	
Q542	2SB709A/QR/-X	TRANSISTOR	
Q543	2SD1408/OY/-LB	POW TRANSISTOR	
Q622	2SD601A/QR/-X	TRANSISTOR	
Q623	UN2212-X	DIGI TRANSISTOR	
Q700	2SD601A/QR/-X	TRANSISTOR	
Q701	2SB709A/QR/-X	TRANSISTOR	
Q705	2SD601A/QR/-X	TRANSISTOR	
Q951	2SD1383K/AB/-X	TRANSISTOR	
Q971	2SA1208/ST/Z1-T	TRANSISTOR	
IC			
IC101	M52342SP	IC	
IC201	TM8812CSBNG3U68	IC	
△ IC421	LA7841	IC	
IC601	TA1287F-X	IC	
IC621	LA4485	IC	
IC702	AT24C08-32D503	IC	(SERVICE)
IC703	S-80840ANY-T	IC	
IC704	AN78L05-T	IC	
IC852	AN7809F	IC	
IC852	or BA17809T	IC	or BA17809T
IC853	AN7805F	IC	
IC853	or BA17805T	IC	or BA17805T
△ IC911	STR-G6624/F8	IC	
△ IC921	SE135N	IC	
OTHERS			
CF001	QAX0349-001	C TRAP	
CF131	QAX0639-001Z	C TRAP	
CF161	QAX0642-001Z	C FILTER	
CN001	QGB1505J1-35	B TO B CONNE	
CN002	QGB1505J1-25	B TO B CONNE	
CN004	QGA2501C5-05Z	W TO B CONNE	
CN005	QGA2501C5-04Z	W TO B CONNE	
CN007	QGA2501C5-07Z	W TO B CONNE	
△ CN04W	QMPD390-200-JS	POWER CORD	or QMPD200-200-JC
△ CP932	ICP-N70-T	C PROTECTOR	
△ CP936	ICP-N70-T	C PROTECTOR	
△ F901	QMF0007-5R0J1	FUSE	or QMF51U1-5R0-J8
△ F905	QMF2034-5R0Z-J1	FUSE	5.0A
△ FC901	CEM002-001Z	FUSE CLIP	
△ FC902	CEM002-001Z	FUSE CLIP	
△ FR525	QRZ9017-4R7	F R	4.7 Ω 1/4W J
△ FR527	QRZ9011-470	F R	47Ω 1/2W J
J601	QNN0349-002	PIN JACK	
J810	QNS0001-001	JACK	
K401	QQR0521-002Z	FERRITE BEADS	
K912	QQR0582-001Z	FERRITE BEADS	
K916	QQR0582-001Z	FERRITE BEADS	
K917	QQR0582-001Z	FERRITE BEADS	
K918	QQR0582-001Z	FERRITE BEADS	
K931	QQR0582-001Z	FERRITE BEADS	
K932	QQR0582-001Z	FERRITE BEADS	
K933	QQR0621-002Z	FERRITE BEADS	
K935	QQR0582-001Z	FERRITE BEADS	
LC601	QQR1199-001	EMI FILTER	
LC602	QQR1199-001	EMI FILTER	
LC603	QQR1199-001	EMI FILTER	
△ LF901	QQR1085-003	LINE FILTER	or QQR0527-003
△ PC921	TLP421F/D4-GR/	IC (PHOTO COUPLE	
△ RY951	QSK0086-001	RELAY	
△ RY951	or QSK0085-001	RELAY	
△ RY951	or QSK0130-001	RELAY	
S421	QSL4A13-C02	LEVER SWITCH	V.CENTER SW
SF101	QAX0723-001	SAW FILTER	
△ TH901	QADD0132-3R0	P THERMISTOR	
△ TU001	QAU0272-001	TUNER	
△ VA901	ERZV10V621CS	ZNR	
X701	QAX0717-001Z	CRYSTAL	

CRT SOCKET P.W. BOARD ASS'Y (SGE-3006A-M2)

Symbol No.	Part No.	Part Name	Description
RESISTOR			
R3354	NRS463J-221X	MG R	220Ω 1/16W J
R3355	NRS463J-221X	MG R	220Ω 1/16W J
R3356	NRS463J-221X	MG R	220Ω 1/16W J
R3357	NRS463J-101X	MG R	100Ω 1/16W J
R3358	NRS463J-101X	MG R	100Ω 1/16W J
R3359	NRS463J-101X	MG R	100Ω 1/16W J
R3360	QRZ0111-152	C R	1.5kΩ 1/2W K
R3361	QRZ0111-152	C R	1.5kΩ 1/2W K
R3362	QRZ0111-152	C R	1.5kΩ 1/2W K
R3363	QRG029J-103	OM R	10kΩ 2W J
R3364	QRG029J-103	OM R	10kΩ 2W J
R3365	QRG029J-103	OM R	10kΩ 2W J
R3366	NRS463J-182X	MG R	1.8kΩ 1/16W J
R3367	NRS463J-182X	MG R	1.8kΩ 1/16W J
R3368	NRS463J-182X	MG R	1.8kΩ 1/16W J
R3372	NRS463J-221X	MG R	220Ω 1/16W J
R3373	NRS463J-221X	MG R	220Ω 1/16W J
R3374	NRS463J-221X	MG R	220Ω 1/16W J
R3375	NRS463J-0R0X	MG R	0. Ω 1/16W J
R3376	NRS463J-0R0X	MG R	0. Ω 1/16W J
R3377	NRS463J-0R0X	MG R	0. Ω 1/16W J
R3381	QRE121J-394Y	C R	390kΩ 1/2W J
R3391	NRS463J-152X	MG R	1.5kΩ 1/16W J
R3392	NRS463J-392X	MG R	3.9kΩ 1/16W J
R3393	NRS463J-102X	MG R	1kΩ 1/16W J
R3394	NRS463J-102X	MG R	1kΩ 1/16W J
R3395	NRS463J-102X	MG R	1kΩ 1/16W J
CAPACITOR			
C3354	NDC31HJ-331X	C CAP.	330pF 50V J
C3355	NDC31HJ-331X	C CAP.	330pF 50V J
C3356	NDC31HJ-391X	C CAP.	390pF 50V J
C3357	QETNL1CM-107Z	E CAP.	100uF 16V M
△ C3382	QCZ0121-102	C CAP.	1000pF 3kV Z
C3391	QETNL1AM-227Z	E CAP.	220uF 10V M
C3392	NDC31HJ-101X	C CAP.	100pF 50V J
COIL			
L3381	QQL244K-101Z	PEAKING COIL	
DIODE			
D3391	1SS133-T2	SI DIODE	
TRANSISTOR			
Q3351	2SC4544-LB	POW TRANSISTOR	
Q3352	2SC4544-LB	POW TRANSISTOR	
Q3353	2SC4544-LB	POW TRANSISTOR	
Q3391	2SA933AS/QR/-T	TRANSISTOR	
OTHERS			
CN3004	QJB003-054010	SIN ID C-B WIRE	
CN3005	WJA0027-002A	E-S ID WIRE	
△ SK3351	QNZ0537-001	CRT SOCKET	or QNZ0536-001

[AV-32360/M , AV-32S36/M]

PIP P.W. BOARD ASS'Y (SGE-4001A-M2)

Symbol No. Part No. Part Name Description

RESISTOR

R4001	NRSA63J-103X	MG R	10kΩ	1/16W	J
R4002	NRSA63J-103X	MG R	10kΩ	1/16W	J
R4008	NRSA63J-101X	MG R	100Ω	1/16W	J
R4004	NRSA63J-101X	MG R	100Ω	1/16W	J
R4005	NRSA63J-0ROX	MG R	0.0Ω	1/16W	J
R4008	NRSA63J-820X	MG R	82Ω	1/16W	J
R4101	NRSA63J-562X	MG R	5.6kΩ	1/16W	J
R4102	NRSA63J-182X	MG R	1.8kΩ	1/16W	J
R4108	QRE121J-101Y	C R	100Ω	1/2W	J
R4104	NRSA63J-180X	MG R	18Ω	1/16W	J
R4105	NRSA63J-270X	MG R	27Ω	1/16W	J
R4111	NRSA63J-224X	MG R	220kΩ	1/16W	J
R4113	NRSA63J-101X	MG R	100Ω	1/16W	J
R4114	NRSA63J-331X	MG R	330Ω	1/16W	J
R4115	NRSA63J-101X	MG R	100Ω	1/16W	J
R4116	NRSA63J-680X	MG R	68Ω	1/16W	J
R4117	NRSA63J-273X	MG R	27kΩ	1/16W	J
R4118	NRSA63J-223X	MG R	22kΩ	1/16W	J
R4120	NRSA63J-273X	MG R	27kΩ	1/16W	J
R4121	NRSA63J-103X	MG R	10kΩ	1/16W	J
R4131	NRSA63J-102X	MG R	1kΩ	1/16W	J
R4132	NRSA63J-331X	MG R	330Ω	1/16W	J
R4133	NRSA63J-821X	MG R	820Ω	1/16W	J
R4134	NRSA63J-561X	MG R	560Ω	1/16W	J
R4135	NRSA63J-102X	MG R	1kΩ	1/16W	J
R4161	NRSA63J-332X	MG R	3.3kΩ	1/16W	J
R4168	NRSA63J-223X	MG R	22kΩ	1/16W	J
R4171	NRSA63J-103X	MG R	10kΩ	1/16W	J
R4301	NRSA63J-473X	MG R	47kΩ	1/16W	J
R4308	NRSA63J-222X	MG R	2.2kΩ	1/16W	J
R4304	NRSA63J-473X	MG R	47kΩ	1/16W	J
R4306	NRSA63J-222X	MG R	2.2kΩ	1/16W	J
R4307	NRSA63J-471X	MG R	470Ω	1/16W	J
R4309	NRSA63J-102X	MG R	1kΩ	1/16W	J
R4311	NRSA63J-101X	MG R	100Ω	1/16W	J
R4313	NRSA63J-101X	MG R	100Ω	1/16W	J
R4314	NRSA63J-0ROX	MG R	0.0Ω	1/16W	J
R4316	NRSA63J-331X	MG R	330Ω	1/16W	J
R4317	NRSA63J-0ROX	MG R	0.0Ω	1/16W	J
R4331	NRSA63J-0ROX	MG R	0.0Ω	1/16W	J
R4337	NRSA63J-0ROX	MG R	0.0Ω	1/16W	J
R4348	NRSA63J-0ROX	MG R	0.0Ω	1/16W	J

CAPACITOR

C4001	QETNLHM-475Z	E CAP.	4.7μF	50V	M
C4008	QETNLHM-106Z	E CAP.	10μF	50V	M
C4004	QETNLHM-107Z	E CAP.	100μF	16V	M
C4006	QETNLEM-476Z	E CAP.	47μF	25V	M
C4010	NDC31HJ-100X	C CAP.	10pF	50V	J
C4011	NDC31HJ-100X	C CAP.	10pF	50V	J
C4101	NCB31HK-103X	C CAP.	0.01μF	50V	K
C4102	NCB31HK-103X	C CAP.	0.01μF	50V	K
C4104	NCB31HK-103X	C CAP.	0.01μF	50V	K
C4105	NCB31HK-103X	C CAP.	0.01μF	50V	K
C4106	QETNLEM-476Z	E CAP.	47μF	25V	M
C4107	NCB31HK-103X	C CAP.	0.01μF	50V	K
C4113	NCB31HK-103X	C CAP.	0.01μF	50V	K
C4114	NCB31HK-103X	C CAP.	0.01μF	50V	K
C4116	QFVFLHJ-224Z	MF CAP.	0.22μF	50V	J
C4117	QETNLEM-476Z	E CAP.	47μF	25V	M
C4118	NCB31HK-103X	C CAP.	0.01μF	50V	K
C4119	NDC31HJ-681X	C CAP.	680pF	50V	J
C4120	QETNLHM-476Z	E CAP.	47μF	50V	M
C4124	NCB31HK-103X	C CAP.	0.01μF	50V	K
C4131	NCB31HK-103X	C CAP.	0.01μF	50V	K
C4132	NDC31HJ-181X	C CAP.	180pF	50V	J
C4161	QETNLHM-106Z	E CAP.	10μF	50V	M
C4168	NCB31HK-103X	C CAP.	0.01μF	50V	K
C4301	NRSA63J-0ROX	MG R	0.0Ω	1/16W	J
C4302	NRSA63J-0ROX	MG R	0.0Ω	1/16W	J
C4312	NDC31HJ-270X	C CAP.	27pF	50V	J
C4313	NDC31HJ-270X	C CAP.	27pF	50V	J
C4314	QETNLHM-106Z	E CAP.	10μF	50V	M

Symbol No. Part No. Part Name Description

CAPACITOR

C4315	NCB31HK-103X	C CAP.	0.01μF	50V	K
C4316	NCB31HK-103X	C CAP.	0.01μF	50V	K
C4317	NCB31HK-103X	C CAP.	0.01μF	50V	K
C4318	NCB31HK-103X	C CAP.	0.01μF	50V	K
C4319	QETNLHM-106Z	E CAP.	10μF	50V	M
C4320	NCB31HK-103X	C CAP.	0.01μF	50V	K
C4321	QETNLHM-105Z	E CAP.	1μF	50V	M
C4322	NCB31HK-103X	C CAP.	0.01μF	50V	K
C4323	QETNLHM-106Z	E CAP.	10μF	50V	M
C4324	NCB31HK-103X	C CAP.	0.01μF	50V	K
C4325	NCB31HK-103X	C CAP.	0.01μF	50V	K
C4326	NCB31EK-104X	C CAP.	0.1μF	25V	K
C4327	QETNLHM-225Z	E CAP.	2.2μF	50V	M
C4328	NCB31HK-103X	C CAP.	0.01μF	50V	K
C4329	QETNLHM-225Z	E CAP.	2.2μF	50V	M
C4330	NCB31HK-103X	C CAP.	0.01μF	50V	K
C4331	NCB31EK-104X	C CAP.	0.1μF	25V	K

COIL

L4001	QQL244K-560Z	COIL	56μH	K
L4101	QQL2014-R22	INDUCTOR		
L4113	QQL244K-4R7Z	COIL	4.7μH	K
L4131	QQL244K-150Z	COIL	15μH	K
L4302	QQL244J-6R8Z	COIL	6.8μH	J
L4308	QQL244J-6R8Z	COIL	6.8μH	J
L4304	QQL244J-6R8Z	COIL	6.8μH	J

DIODE

D4301	1SS133-T2	SI DIODE		
-------	-----------	----------	--	--

TRANSISTOR

Q4101	2SC5083/L-P/-T	TRANSISTOR		
Q4131	2SA1037AK/QR/-X	TRANSISTOR		
Q4301	2SD601A/QR/-X	TRANSISTOR		
Q4302	2SD601A/QR/-X	TRANSISTOR		
Q4308	2SD601A/QR/-X	TRANSISTOR		

IC

IC4101	M52342SP	IC		
IC4301	SDA9889X-X	IC		

OTHERS

CF4131	QAX0639-001Z	C TRAP		
CN4002	QGB1505K1-25	B TO B CONNE		
SF4101	CE42589-201	SAW FILTER		
T4111	QQR0907-001	IFT		
TU4001	QAU0273-001	TUNER		

[AV-32360/M , AV-32S36/M]

AV SELECTOR P.W. BOARD ASS'Y (SGE-5002A-M2)

Symbol No.	Part No.	Part Name	Description
RESISTOR			
R5001	NRS463J-105X	MG R	1MΩ 1/16W J
R5002	NRS463J-104X	MG R	100kΩ 1/16W J
R5003	NRS463J-682X	MG R	6.8kΩ 1/16W J
R5004	NRS463J-153X	MG R	15kΩ 1/16W J
R5005	NRS463J-683X	MG R	68kΩ 1/16W J
R5006	NRS463J-684X	MG R	680kΩ 1/16W J
R5007	NRS463J-332X	MG R	3.3kΩ 1/16W J
R5008	NRS463J-332X	MG R	3.3kΩ 1/16W J
R5009	NRS463J-333X	MG R	33kΩ 1/16W J
R5010	NRS463J-392X	MG R	3.9kΩ 1/16W J
R5011	NRS463J-221X	MG R	220Ω 1/16W J
R5012	NRS463J-221X	MG R	220Ω 1/16W J
R5013	NRS463J-0R0X	MG R	0.0Ω 1/16W J
R5211	NRS463J-332X	MG R	3.3kΩ 1/16W J
R5212	NRS463J-103X	MG R	10kΩ 1/16W J
R5213	NRS463J-102X	MG R	1kΩ 1/16W J
R5214	NRS463J-181X	MG R	180Ω 1/16W J
R5215	NRS463J-152X	MG R	1.5kΩ 1/16W J
R5216	NRS463J-182X	MG R	1.8kΩ 1/16W J
R5217	NRS463J-222X	MG R	2.2kΩ 1/16W J
R5240	NRS463J-0R0X	MG R	0.0Ω 1/16W J
R5241	NRS463J-821X	MG R	820Ω 1/16W J
R5242	NRS463J-101X	MG R	100Ω 1/16W J
R5243	NRS463J-101X	MG R	100Ω 1/16W J
R5251	NRS463J-471X	MG R	470Ω 1/16W J
R5253	NRS463J-102X	MG R	1kΩ 1/16W J
R5254	NRS463J-102X	MG R	1kΩ 1/16W J
R5255	NRS463J-681X	MG R	680Ω 1/16W J
R5258	NRS463J-101X	MG R	100Ω 1/16W J
R5259	NRS463J-222X	MG R	2.2kΩ 1/16W J
R5261	NRS463J-101X	MG R	100Ω 1/16W J
R5262	NRS463J-222X	MG R	2.2kΩ 1/16W J
R5263	NRS463J-471X	MG R	470Ω 1/16W J
R5265	NRS463J-102X	MG R	1kΩ 1/16W J
R5269	NRS463J-681X	MG R	680Ω 1/16W J
R5270	NRS463J-102X	MG R	1kΩ 1/16W J
R5384	NRS463J-223X	MG R	22kΩ 1/16W J
R5385	NRS463J-223X	MG R	22kΩ 1/16W J
R5386	NRS463J-223X	MG R	22kΩ 1/16W J
R5387	NRS463J-223X	MG R	22kΩ 1/16W J
R5391	NRS463J-221X	MG R	220Ω 1/16W J
R5392	NRS463J-221X	MG R	220Ω 1/16W J
R5393	NRS463J-823X	MG R	82kΩ 1/16W J
R5394	NRS463J-823X	MG R	82kΩ 1/16W J
R5395	NRS463J-221X	MG R	220Ω 1/16W J
R5396	NRS463J-221X	MG R	220Ω 1/16W J
R5501	NRS463J-221X	MG R	220Ω 1/16W J
R5502	NRS463J-221X	MG R	220Ω 1/16W J
R5503	NRS463J-221X	MG R	220Ω 1/16W J
R5504	NRS463J-221X	MG R	220Ω 1/16W J
R5505	NRS463J-221X	MG R	220Ω 1/16W J
R5507	NRS463J-333X	MG R	33kΩ 1/16W J
R5508	NRS463J-153X	MG R	15kΩ 1/16W J
R5509	NRS463J-221X	MG R	220Ω 1/16W J
R5510	NRS463J-221X	MG R	220Ω 1/16W J
R5511	NRS463J-221X	MG R	220Ω 1/16W J
R5512	NRS463J-221X	MG R	220Ω 1/16W J
R5513	NRS463J-153X	MG R	15kΩ 1/16W J
R5514	NRS463J-103X	MG R	10kΩ 1/16W J
R5515	NRS463J-103X	MG R	10kΩ 1/16W J
R5516	NRS463J-103X	MG R	10kΩ 1/16W J
R5517	NRS463J-103X	MG R	10kΩ 1/16W J
R5519	NRS463J-750X	MG R	75Ω 1/16W J
R5520	NRS463J-750X	MG R	75Ω 1/16W J
R5521	NRS463J-750X	MG R	75Ω 1/16W J
R5522	NRS463J-224X	MG R	220kΩ 1/16W J
R5523	NRS463J-224X	MG R	220kΩ 1/16W J
R5524	NRS463J-224X	MG R	220kΩ 1/16W J
R5532	NRS463J-224X	MG R	220kΩ 1/16W J
R5533	NRS463J-224X	MG R	220kΩ 1/16W J
R5541	NRS463J-221X	MG R	220Ω 1/16W J
R5542	NRS463J-221X	MG R	220Ω 1/16W J
R5543	NRS463J-221X	MG R	220Ω 1/16W J
R5544	NRS463J-331X	MG R	330Ω 1/16W J
R5545	NRS463J-331X	MG R	330Ω 1/16W J
R5546	NRS463J-103X	MG R	10kΩ 1/16W J

Symbol No.	Part No.	Part Name	Description
------------	----------	-----------	-------------

RESISTOR

R5558	NRS463J-0R0X	MG R	0.0Ω 1/16W J
R5559	NRS463J-0R0X	MG R	0.0Ω 1/16W J
R5560	NRS463J-0R0X	MG R	0.0Ω 1/16W J
R5561	NRS463J-0R0X	MG R	0.0Ω 1/16W J

CAPACITOR

C5001	QENCLHM-475Z	E CAP.	4.7μF 50V M
C5002	NCB31HK-562X	C CAP.	5600pF 50V K
C5003	NCB31HK-123X	C CAP.	0.012μF 50V K
C5004	QETNLHM-105Z	E CAP.	1μF 50V M
C5005	QETNLHM-475Z	E CAP.	4.7μF 50V M
C5006	QETNLHM-106Z	E CAP.	10μF 50V M
C5007	QETNLHM-475Z	E CAP.	4.7μF 50V M
C5008	QETNLHM-107Z	E CAP.	100μF 16V M
C5009	QENCLHM-475Z	E CAP.	4.7μF 50V M
C5010	QETNLHM-475Z	E CAP.	4.7μF 50V M
C5011	QENCLHM-475Z	E CAP.	4.7μF 50V M
C5012	NCB31HK-272X	C CAP.	2700pF 50V K
C5013	NCB31HK-473X	C CAP.	0.047μF 50V K
C5014	QENCLHM-475Z	E CAP.	4.7μF 50V M
C5015	QBTCLCK-106Z	TAN.CAP.	10μF 16V K
C5016	QETNLHM-105Z	E CAP.	1μF 50V M
C5017	QENCLHM-105Z	E CAP.	1μF 50V M
C5018	QETNLHM-105Z	E CAP.	1μF 50V M
C5019	NCB31HK-223X	C CAP.	0.022μF 50V K
C5020	NCB31HK-472X	C CAP.	4700pF 50V K
C5021	QENCLHM-475Z	E CAP.	4.7μF 50V M
C5022	NCB31EK-104X	C CAP.	0.1μF 25V K
C5023	NCB31HK-472X	C CAP.	4700pF 50V K
C5024	QENCLHM-475Z	E CAP.	4.7μF 50V M
C5025	NCB31EK-104X	C CAP.	0.1μF 25V K
C5026	QBTCLCK-335Z	TAN.CAP.	3.3μF 16V K
C5208	QETNLEM-476Z	E CAP.	47μF 25V M
C5204	NCB31HK-103X	C CAP.	0.01μF 50V K
C5205	QETNLEM-476Z	E CAP.	47μF 25V M
C5206	NCB31HK-103X	C CAP.	0.01μF 50V K
C5211	QENCLCM-106Z	E CAP.	10μF 16V M
C5212	NDC31HJ-101X	C CAP.	100pF 50V J
C5213	NDC31HJ-470X	C CAP.	47pF 50V J
C5214	NDC31HJ-181X	C CAP.	180pF 50V J
C5215	QETNLHM-474Z	E CAP.	0.47μF 50V M
C5226	NCB31HK-103X	C CAP.	0.01μF 50V K
C5231	QETNLHM-107Z	E CAP.	100μF 16V M
C5232	NCB31HK-103X	C CAP.	0.01μF 50V K
C5233	NCB31HK-103X	C CAP.	0.01μF 50V K
C5234	NCB31HK-103X	C CAP.	0.01μF 50V K
C5235	NCB31HK-103X	C CAP.	0.01μF 50V K
C5236	QETNLHM-107Z	E CAP.	100μF 16V M
C5237	NCB31HK-103X	C CAP.	0.01μF 50V K
C5238	QETNLHM-107Z	E CAP.	100μF 16V M
C5239	NCB31HK-103X	C CAP.	0.01μF 50V K
C5240	NCB31HK-103X	C CAP.	0.01μF 50V K
C5241	NCB31HK-103X	C CAP.	0.01μF 50V K
C5242	QETNLHM-107Z	E CAP.	100μF 16V M
C5243	NCB31HK-103X	C CAP.	0.01μF 50V K
C5246	NDC31HJ-181X	C CAP.	180pF 50V J
C5247	NCB31HK-103X	C CAP.	0.01μF 50V K
C5251	QETNLEM-476Z	E CAP.	47μF 25V M
C5252	NCB31HK-103X	C CAP.	0.01μF 50V K
C5255	NDC31HJ-390X	C CAP.	39pF 50V J
C5263	NDC31HJ-150X	C CAP.	15pF 50V J
C5391	QETNLHM-474Z	E CAP.	0.47μF 50V M
C5392	QETNLHM-474Z	E CAP.	0.47μF 50V M
C5501	QETNLHM-225Z	E CAP.	2.2μF 50V M
C5502	QETNLHM-225Z	E CAP.	2.2μF 50V M
C5503	QETNLEM-106Z	E CAP.	10μF 50V M
C5504	QENCLCM-476Z	E CAP.	47μF 16V M
C5508	QETNLEM-476Z	E CAP.	47μF 25V M
C5509	NCB31HK-103X	C CAP.	0.01μF 50V K
C5520	QETNLHM-225Z	E CAP.	2.2μF 50V M
C5521	QETNLHM-225Z	E CAP.	2.2μF 50V M
C5531	NCB31HK-103X	C CAP.	0.01μF 50V K
C5532	QETNLEM-476Z	E CAP.	47μF 25V M
C5533	NCB31HK-103X	C CAP.	0.01μF 50V K
C5534	QENCLCM-476Z	E CAP.	47μF 16V M

[AV-32360/M , AV-32S36/M]

Symbol No.	Part No.	Part Name	Description
COIL			
L5202	QQL244K-150Z	COIL	15μH K
L5211	QQL244K-4R7Z	COIL	4.7μH K
L5241	QQL244K-4R7Z	COIL	4.7μH K
L5242	QQL244K-4R7Z	COIL	4.7μH K
L5243	QQL244K-4R7Z	COIL	4.7μH K
L5244	QQL244K-4R7Z	COIL	4.7μH K
L5245	QQL244K-4R7Z	COIL	4.7μH K
L5261	QQL244K-150Z	COIL	15μH K

Symbol No.	Part No.	Part Name	Description
DIODE			
D5391	MTZJ9.1C-T2	Z DIODE	
D5392	MTZJ9.1C-T2	Z DIODE	
D5501	MTZJ9.1C-T2	Z DIODE	
D5502	MTZJ9.1C-T2	Z DIODE	
D5503	MTZJ9.1C-T2	Z DIODE	
D5504	MTZJ9.1C-T2	Z DIODE	
D5505	MTZJ9.1C-T2	Z DIODE	
D5507	MTZJ9.1C-T2	Z DIODE	
D5508	MTZJ9.1C-T2	Z DIODE	
D5510	MTZJ9.1C-T2	Z DIODE	
D5511	MTZJ9.1C-T2	Z DIODE	
D5512	MTZJ9.1C-T2	Z DIODE	
D5513	MTZJ9.1C-T2	Z DIODE	

Symbol No.	Part No.	Part Name	Description
TRANSISTOR			
Q5211	2SD601A/QR/-X	TRANSISTOR	
Q5212	2SD601A/QR/-X	TRANSISTOR	
Q5251	2SD601A/QR/-X	TRANSISTOR	
Q5252	2SB709A/QR/-X	TRANSISTOR	
Q5253	2SD601A/QR/-X	TRANSISTOR	
Q5261	2SD601A/QR/-X	TRANSISTOR	
Q5262	2SD601A/QR/-X	TRANSISTOR	
Q5263	2SB709A/QR/-X	TRANSISTOR	
Q5384	DTC323TK-X	DIGI TRANSISTOR	
Q5385	DTC323TK-X	DIGI TRANSISTOR	
Q5386	DTC323TK-X	DIGI TRANSISTOR	
Q5387	DTC323TK-X	DIGI TRANSISTOR	

Symbol No.	Part No.	Part Name	Description
IC			
IC5001	CXA2134Q	IC	
IC5201	TC90A49P	IC	
IC5501	TA1218AN	IC	

Symbol No.	Part No.	Part Name	Description
OTHERS			
CN5001	QGB1505K1-35	B TO B CONNE	
CN5006	QGA2501C5-05Z	W TO B CONNE	
J5501	QNZ0454-001	AV JACK	
J5502	QNN0348-001	PIN JACK	
J5503	QNN0348-001	PIN JACK	

FRONT AV IN P.W. BOARD ASS'Y (SGE-6002A-M2)

Symbol No.	Part No.	Part Name	Description
RESISTOR			
R6401	NRS463J-750X	MG R	75Ω 1/16W J
R6402	NRS463J-224X	MG R	220kΩ 1/16W J
R6403	NRS463J-224X	MG R	220kΩ 1/16W J

Symbol No.	Part No.	Part Name	Description
CAPACITOR			
C6401	QETN1CM-476Z	E CAP.	47μF 16V M
C6402	QETN1HM-225Z	E CAP.	2.2μF 50V M
C6403	QETN1HM-225Z	E CAP.	2.2μF 50V M

Symbol No.	Part No.	Part Name	Description
OTHERS			
CN6006	QJB003-054010	SIN ID C-B WIRE	
J6401	CEM041-001	PIN JACK	
LC6401	QQR1199-001	EMI FILTER	

FRONT CONTROL P.W. BOARD ASS'Y (SGE-7002A-M2)

Symbol No.	Part No.	Part Name	Description
RESISTOR			
R7702	NRS463J-102X	MG R	1kΩ 1/16W J
R7703	NRS463J-102X	MG R	1kΩ 1/16W J
R7704	NRS463J-152X	MG R	1.5kΩ 1/16W J
R7705	NRS463J-272X	MG R	2.7kΩ 1/16W J
R7706	NRS463J-562X	MG R	5.6kΩ 1/16W J
R7708	NRS463J-681X	MG R	68Ω 1/16W J
R7709	NRS463J-561X	MG R	56Ω 1/16W J
R7710	NRS463J-101X	MG R	68Ω 1/16W J
R7711	NRS463J-101X	MG R	56Ω 1/16W J

Symbol No.	Part No.	Part Name	Description
CAPACITOR			
C7701	QETN1EM-476Z	E CAP.	47μF 25V M

Symbol No.	Part No.	Part Name	Description
DIODE			
D7701	GL2PR6	LED	

Symbol No.	Part No.	Part Name	Description
TRANSISTOR			
Q7702	UN2112-X	DIGI TRANSISTOR	

Symbol No.	Part No.	Part Name	Description
IC			
IC701	GP1U281Q	IR DETECT UNIT	

Symbol No.	Part No.	Part Name	Description
OTHERS			
CN7007	CM46978-A01-H	LED HOLDER	
S7701	QJB003-074826	SIN ID C-B WIRE	
S7702	QSW0707-001Z	TACT SWITCH	POWER
S7703	QSW0707-001Z	TACT SWITCH	MENU
S7704	QSW0707-001Z	TACT SWITCH	CH-
S7705	QSW0707-001Z	TACT SWITCH	CH+
S7706	QSW0707-001Z	TACT SWITCH	VOL-
S7707	QSW0707-001Z	TACT SWITCH	VOL+

[AV-32360/R, AV-32S36/R]

PRINTED WIRING BOARD PARTS LIST

MAIN P.W. BOARD ASS'Y (SGE-1037A-M2)

Symbol No.	Part No.	Part Name	Description
RESISTOR			
R002	NRS463J-0R0X	MG R	0.00 1/16W J
R003	NRS463J-101X	MG R	100Ω 1/16W J
R004	NRS463J-101X	MG R	100Ω 1/16W J
R005	NRS463J-0R0X	MG R	0.00 1/16W J
R008	NRS463J-820X	MG R	82Ω 1/16W J
R009	NRS463J-682X	MG R	6.8kΩ 1/16W J
R101	NRS463J-562X	MG R	5.6kΩ 1/16W J
R102	NRS463J-182X	MG R	1.8kΩ 1/16W J
R103	QRE121J-101Y	C R	100Ω 1/2W J
R104	NRS463J-180X	MG R	18Ω 1/16W J
R105	NRS463J-270X	MG R	27Ω 1/16W J
R111	NRS463J-394X	MG R	390kΩ 1/16W J
R112	NRS463J-334X	MG R	330kΩ 1/16W J
R113	NRS463J-101X	MG R	100Ω 1/16W J
R115	NRS463J-101X	MG R	100Ω 1/16W J
R116	NRS463J-680X	MG R	68Ω 1/16W J
R117	NRS463J-273X	MG R	27kΩ 1/16W J
R118	NRS463J-223X	MG R	22kΩ 1/16W J
R131	NRS463J-102X	MG R	1kΩ 1/16W J
R132	NRS463J-331X	MG R	330Ω 1/16W J
R133	NRS463J-821X	MG R	820Ω 1/16W J
R134	NRS463J-561X	MG R	560Ω 1/16W J
R135	NRS463J-102X	MG R	1kΩ 1/16W J
R161	NRS463J-332X	MG R	3.3kΩ 1/16W J
R162	NRS463J-0R0X	MG R	0.00 1/16W J
R163	NRS463J-223X	MG R	22kΩ 1/16W J
R164	NRS463J-102X	MG R	1kΩ 1/16W J
R165	NRS463J-223X	MG R	22kΩ 1/16W J
R166	NRS463J-103X	MG R	10kΩ 1/16W J
R167	NRS463J-102X	MG R	1kΩ 1/16W J
R168	NRS463J-101X	MG R	100Ω 1/16W J
R169	NRS463J-561X	MG R	560Ω 1/16W J
R171	NRS463J-103X	MG R	10kΩ 1/16W J
R201	NRS463J-223X	MG R	22kΩ 1/16W J
R212	NRS463J-272X	MG R	2.7kΩ 1/16W J
R215	NRS463J-562X	MG R	5.6kΩ 1/16W J
R216	NRS463J-562X	MG R	5.6kΩ 1/16W J
R217	NRS463J-102X	MG R	1kΩ 1/16W J
R222	NRS463J-0R0X	MG R	0.00 1/16W J
R227	NRS463J-104X	MG R	100kΩ 1/16W J
R231	NRS463J-182X	MG R	1.8kΩ 1/16W J
R237	NRS463J-392X	MG R	3.9kΩ 1/16W J
R238	NRS463J-473X	MG R	47kΩ 1/16W J
R241	NRS463J-332X	MG R	3.3kΩ 1/16W J
R243	NRS463J-152X	MG R	1.5kΩ 1/16W J
R281	NRS463J-182X	MG R	1.8kΩ 1/16W J
R282	NRS463J-392X	MG R	3.9kΩ 1/16W J
R283	NRS463J-681X	MG R	680Ω 1/16W J
R286	NRS463J-472X	MG R	4.7kΩ 1/16W J
R287	NRS463J-101X	MG R	100Ω 1/16W J
R288	NRS463J-471X	MG R	470Ω 1/16W J
R289	NRS463J-154X	MG R	150kΩ 1/16W J
R290	NRS463J-561X	MG R	560Ω 1/16W J
R292	NRS463J-124X	MG R	120kΩ 1/16W J
R293	NRS463J-224X	MG R	220kΩ 1/16W J
R301	NRS463J-222X	MG R	2.2kΩ 1/16W J
R302	NRS463J-222X	MG R	2.2kΩ 1/16W J
R303	NRS463J-222X	MG R	2.2kΩ 1/16W J
R304	NRS463J-101X	MG R	100Ω 1/16W J
R305	NRS463J-101X	MG R	100Ω 1/16W J
R306	NRS463J-101X	MG R	100Ω 1/16W J
R354	NRS463J-0R0X	MG R	0.00 1/16W J
R355	NRS463J-0R0X	MG R	0.00 1/16W J
R356	NRS463J-123X	MG R	12kΩ 1/16W J
R359	NRS463J-103X	MG R	10kΩ 1/16W J
R360	NCB31HK-103X	C CAP.	0.01μF 50V K
R421	NRS463J-822X	MG R	8.2kΩ 1/16W J
R423	NRS463J-393X	MG R	39kΩ 1/16W J
R424	NRS463J-393X	MG R	39kΩ 1/16W J
R426	NRS463J-183X	MG R	18kΩ 1/16W J
R427	QRT029J-1R5	MF R	1.5Ω 2W J
R429	NRS463J-272X	MG R	2.7kΩ 1/16W J
R430	NRS463J-0R0X	MG R	0.00 1/16W J

Symbol No.	Part No.	Part Name	Description
RESISTOR			
R433	NRS463J-681X	MG R	680Ω 1/16W J
R434	QRL029J-181	OM R	180Ω 2W J
R435	QRE121J-102Y	C R	1kΩ 1/2W J
R441	NRS463J-0R0X	MG R	0.00 1/16W J
R447	NRS463J-104X	MG R	100kΩ 1/16W J
R448	NRS463J-473X	MG R	47kΩ 1/16W J
R449	NRS463J-103X	MG R	10kΩ 1/16W J
R501	NRS463J-0R0X	MG R	0.00 1/16W J
R502	NRS463J-271X	MG R	270Ω 1/16W J
R503	QRE121J-103Y	C R	10kΩ 1/2W J
R504	QRL039J-102	OM R	1kΩ 3W J
R505	QRL039J-102	OM R	1kΩ 3W J
R511	QRE121J-220Y	C R	22Ω 1/2W J
R512	QRE121J-681Y	C R	680Ω 1/2W J
R523	QRJ146J-333X	C R	33kΩ 1/4W J
R526	QRE121J-272Y	C R	2.7kΩ 1/2W J
R527	QRE121J-154Y	C R	150kΩ 1/2W J
R528	QRE121J-154Y	C R	150kΩ 1/2W J
R529	NRS463J-331X	MG R	330Ω 1/16W J
R531	QRJ146J-391X	C R	39kΩ 1/4W J
R532	NRS463J-273X	MG R	27kΩ 1/16W J
R533	NRS463J-123X	MG R	12kΩ 1/16W J
R534	NRS463J-123X	MG R	12kΩ 1/16W J
R535	NRV402D-222X	MF R	2.2kΩ 1/10W D
R537	NRV402D-752X	MF R	7.5kΩ 1/10W D
R538	NRS463J-333X	MG R	33kΩ 1/16W J
R543	QRE121J-122Y	C R	1.2kΩ 1/2W J
R544	QRE121J-392Y	C R	3.9kΩ 1/2W J
R545	QRE121J-822Y	C R	8.2kΩ 1/2W J
R546	NRS463J-331X	MG R	330Ω 1/16W J
R547	NRS463J-104X	MG R	100kΩ 1/16W J
R548	QRE121J-152Y	C R	1.5kΩ 1/2W J
R553	QRL039J-180	OM R	18Ω 3W J
R554	QRK126J-150X	C R	15Ω 1/2W J
R555	QRX029J-3R3	MF R	3.3Ω 2W J
R601	NRS463J-750X	MG R	75Ω 1/16W J
R602	NRS463J-750X	MG R	75Ω 1/16W J
R603	NRS463J-750X	MG R	75Ω 1/16W J
R614	NRS463J-682X	MG R	6.8kΩ 1/16W J
R615	NRS463J-332X	MG R	3.3kΩ 1/16W J
R621	NRS463J-682X	MG R	6.8kΩ 1/16W J
R622	NRS463J-681X	MG R	680Ω 1/16W J
R623	NRS463J-682X	MG R	6.8kΩ 1/16W J
R624	NRS463J-681X	MG R	680Ω 1/16W J
R626	NRS463J-223X	MG R	22kΩ 1/16W J
R627	NRS463J-223X	MG R	22kΩ 1/16W J
R631	NRS463J-333X	MG R	33kΩ 1/16W J
R632	NRS463J-223X	MG R	22kΩ 1/16W J
R638	NRS463J-0R0X	MG R	0.00 1/16W J
R639	NRS463J-0R0X	MG R	0.00 1/16W J
R651	NRS463J-0R0X	MG R	0.00 1/16W J
R652	NRS463J-0R0X	MG R	0.00 1/16W J
R653	NRS463J-0R0X	MG R	0.00 1/16W J
R655	NRS463J-153X	MG R	15kΩ 1/16W J
R700	NRS463J-102X	MG R	1kΩ 1/16W J
R701	NRS463J-103X	MG R	10kΩ 1/16W J
R702	NRS463J-102X	MG R	1kΩ 1/16W J
R704	NRS463J-472X	MG R	4.7kΩ 1/16W J
R705	NRS463J-472X	MG R	4.7kΩ 1/16W J
R706	NRS463J-472X	MG R	4.7kΩ 1/16W J
R707	NRS463J-103X	MG R	10kΩ 1/16W J
R708	NRS463J-101X	MG R	100Ω 1/16W J
R709	NRS463J-101X	MG R	100Ω 1/16W J
R714	NRS463J-823X	MG R	82kΩ 1/16W J
R715	NRS463J-103X	MG R	10kΩ 1/16W J
R718	NRS463J-223X	MG R	22kΩ 1/16W J
R721	NRS463J-102X	MG R	1kΩ 1/16W J
R728	NRS463J-102X	MG R	1kΩ 1/16W J
R729	NRS463J-223X	MG R	22kΩ 1/16W J
R731	NRS463J-101X	MG R	100Ω 1/16W J
R732	NRS463J-101X	MG R	100Ω 1/16W J

[AV-32360/R, AV-32S36/R]

Symbol No.	Part No.	Part Name	Description
RESISTOR			
R733	NRSA63J-472X	MG R	4.7kΩ 1/16W J
R734	NRSA63J-472X	MG R	4.7kΩ 1/16W J
R737	NRSA63J-472X	MG R	4.7kΩ 1/16W J
R739	NRSA63J-0R0X	MG R	0.0Ω 1/16W J
R740	NRSA63J-103X	MG R	10kΩ 1/16W J
R754	NRSA63J-472X	MG R	4.7kΩ 1/16W J
R755	NRSA63J-153X	MG R	15kΩ 1/16W J
R756	NRSA63J-103X	MG R	10kΩ 1/16W J
R764	NRSA63J-221X	MG R	220Ω 1/16W J
R765	NRSA63J-221X	MG R	220Ω 1/16W J
R766	NRSA63J-221X	MG R	220Ω 1/16W J
R767	NRSA63J-221X	MG R	220Ω 1/16W J
R769	NRSA63J-682X	MG R	6.8kΩ 1/16W J
R772	NRSA63J-103X	MG R	10kΩ 1/16W J
R775	NRSA63J-473X	MG R	47kΩ 1/16W J
R776	NRSA63J-103X	MG R	10kΩ 1/16W J
R811	NRSA63J-473X	MG R	47kΩ 1/16W J
R812	NRSA63J-102X	MG R	1kΩ 1/16W J
R816	NRSA63J-124X	MG R	120kΩ 1/16W J
R821	NRSA63J-184X	MG R	180kΩ 1/16W J
R822	NRSA63J-124X	MG R	120kΩ 1/16W J
R827	NRSA63J-102X	MG R	1kΩ 1/16W J
R855	QRG09J-100	OM R	10Ω 3W J
R857	QRL029J-270	OM R	27Ω 2W J
R858	QRL029J-180	OM R	18Ω 2W J
R901	QRF074K-R47	UNF R	0.47Ω 7W K
R909	QRG01GJ-470	OM R	47Ω 1W J
R911	QRE121J-223Y	C R	22kΩ 1/2W J
R912	QRT029J-R22	MF R	0.22Ω 2W J
R913	QRT029J-R22	MF R	0.22Ω 2W J
R914	QRK126J-681X	C R	680Ω 1/2W J
R915	QRK129J-6R8	C R	6.8Ω 1/2W J
R917	QRK126J-332X	C R	3.3kΩ 1/2W J
R918	QRE121J-222Y	C R	2.2kΩ 1/2W J
R919	QRE121J-684Y	C R	680kΩ 1/2W J
R924	QRE121J-222Y	C R	2.2kΩ 1/2W J
R930	QRE121J-223Y	C R	22kΩ 1/2W J
R939	QRT09J-2R2	MF R	2.2Ω 3W J
R940	QRE121J-181Y	C R	180Ω 1/2W J
R941	QRL029J-183	OM R	18kΩ 2W J
R950	NRSA63J-0R0X	MG R	0.0Ω 1/16W J
R951	NRSA63J-473X	MG R	47kΩ 1/16W J
R952	NRSA63J-102X	MG R	1kΩ 1/16W J
R953	QRE121J-820Y	C R	82Ω 1/2W J
R973	QRE121J-272Y	C R	2.7kΩ 1/2W J
R975	QRE121J-223Y	C R	22kΩ 1/2W J
R977	QRE121J-473Y	C R	47kΩ 1/2W J
R978	NRSA63J-333X	MG R	33kΩ 1/16W J
R979	QRT029J-1R2	MF R	1.2Ω 2W J
R980	QRT029J-1R2	MF R	1.2Ω 2W J
R998	QRZ904I-275	C R	2.7MΩ 1/2W K
R999	QRE121J-121Y	C R	120Ω 1/2W J

Symbol No.	Part No.	Part Name	Description
CAPACITOR			
C001	QETNLHM-475Z	E CAP.	4.7μF 50V M
C003	QETNLHM-106Z	E CAP.	10μF 50V M
C004	QETNLHM-108Z	E CAP.	1000μF 16V M
C006	QETNLHM-476Z	E CAP.	47μF 25V M
C101	NCB31HK-103X	C CAP.	0.01μF 50V K
C102	NCB31HK-103X	C CAP.	0.01μF 50V K
C104	NCB31HK-103X	C CAP.	0.01μF 50V K
C105	NCB31HK-103X	C CAP.	0.01μF 50V K
C106	QETNLHM-476Z	E CAP.	47μF 25V M
C107	NCB31HK-103X	C CAP.	0.01μF 50V K
C113	NCB31HK-103X	C CAP.	0.01μF 50V K
C114	NCB31HK-103X	C CAP.	0.01μF 50V K
C116	QFVFLHJ-224Z	MF CAP.	0.22μF 50V J
C117	QETNLHM-476Z	E CAP.	47μF 25V M
C118	NCB31HK-103X	C CAP.	0.01μF 50V K
C119	NDC31HJ-681X	C CAP.	680pF 50V J
C120	QETNLHM-474Z	E CAP.	0.47μF 50V M
C124	NCB31HK-103X	C CAP.	0.01μF 50V K
C131	NCB31HK-103X	C CAP.	0.01μF 50V K
C161	QETNLHM-106Z	E CAP.	10μF 50V M
C163	NDC31HJ-470X	C CAP.	47pF 50V J
C164	NDC31HJ-470X	C CAP.	47pF 50V J
C165	NCB31HK-103X	C CAP.	0.01μF 50V K

Symbol No.	Part No.	Part Name	Description
CAPACITOR			
C166	NCB31HK-103X	C CAP.	0.01μF 50V K
C202	QETNLHM-105Z	E CAP.	1μF 50V M
C203	NCB31HK-152X	C CAP.	1500pF 50V K
C211	QENCLCM-106Z	E CAP.	10μF 16V M
C212	NDC31HJ-100X	C CAP.	10pF 50V J
C221	QETNLHM-106Z	E CAP.	10μF 50V M
C222	QFVFLHJ-104Z	MF CAP.	0.1μF 50V J
C223	NCB31HK-103X	C CAP.	0.01μF 50V K
C233	NDC31HJ-680X	C CAP.	68pF 50V J
C237	NCB31HK-103X	C CAP.	0.01μF 50V K
C241	NCB31HK-103X	C CAP.	0.01μF 50V K
C242	QETNLHM-225Z	E CAP.	2.2μF 50V M
C243	QETNLHM-107Z	E CAP.	100μF 16V M
C244	NCB31HK-103X	C CAP.	0.01μF 50V K
C281	QFVFLHJ-474Z	MF CAP.	0.47μF 50V J
C282	QETNLHM-107Z	E CAP.	100μF 16V M
C283	NCB31HK-103X	C CAP.	0.01μF 50V K
C284	QETNLHM-225Z	E CAP.	2.2μF 50V M
C285	NCB31HK-103X	C CAP.	0.01μF 50V K
C286	QETNLHM-106Z	E CAP.	10μF 50V M
C287	QETNLHM-107Z	E CAP.	100μF 16V M
C288	NCB31HK-103X	C CAP.	0.01μF 50V K
C352	QETNLHM-336Z	E CAP.	33μF 16V M
C354	NCB31HK-103X	C CAP.	0.01μF 50V K
C391	QETNLHM-107Z	E CAP.	100μF 16V M
C392	NCB31HK-103X	C CAP.	0.01μF 50V K
C422	QFLCZAJ-102Z	M CAP.	1000pF 100V J
C424	QETNLHM-107Z	E CAP.	100μF 35V M
C425	QETNLHM-477Z	E CAP.	470μF 35V M
C427	QETNLHM-105Z	E CAP.	1μF 50V M
C428	QETNLHM-228	E CAP.	2200μF 25V M
C431	QFLCZAK-563Z	M CAP.	0.056μF 100V K
C432	QETNLHM-476Z	E CAP.	47μF 25V M
C433	QETNLHM-476Z	E CAP.	47μF 25V M
C435	NCB31HK-183X	C CAP.	0.018μF 50V K
C440	QCS32HJ-220Z	C CAP.	22pF 500V J
C501	QCB32HK-151Z	C CAP.	150pF 500V K
C502	QCB32HK-331Z	C CAP.	330pF 500V K
C503	QEHRCM-105Z	E CAP.	1μF 160V M
C504	QEZO203-107	E CAP.	100μF 160V M
C507	QEM6LHK-475Z	E CAP.	4.7μF 50V K
C508	QEM6LHK-475Z	E CAP.	4.7μF 50V K
C510	QFZO196-532	MPP CAP.	5300pF 1.5kVH ±3%
C510	or QFZO200-532	MPP CAP.	5300pF 1.5kVH ±3%
C513	QFZO198-133	MPP CAP.	0.013μF 1.5kVH ±3%
C514	QFP32GJ-183	PP CAP.	0.018μF 400V J
C515	QFZO197-564	MPP CAP.	0.56μF 250V J
C515	or QFZO199-564	MPP CAP.	0.56μF 250V J
C516	QCB32HK-561Z	C CAP.	560pF 500V K
C521	QETNLHM-106Z	E CAP.	10μF 250V M
C523	QEHRLVM-108Z	E CAP.	1000μF 35V M
C525	QETNLHM-107Z	E CAP.	100μF 35V M
C526	QFV21HJ-824Z	MF CAP.	0.82μF 50V J
C527	QFLCZAJ-103Z	M CAP.	0.01μF 100V J
C531	QCB32HK-102Z	C CAP.	1000pF 500V K
C533	QETNLHM-106Z	E CAP.	10μF 50V M
C601	QETNLHM-476Z	E CAP.	47μF 25V M
C602	QETNLHM-476Z	E CAP.	47μF 25V M
C603	QETNLHM-476Z	E CAP.	47μF 25V M
C604	NCB31EK-104X	C CAP.	0.01μF 25V K
C605	NCB31EK-104X	C CAP.	0.1μF 25V K
C606	NCB31EK-104X	C CAP.	0.1μF 25V K
C607	QETNLHM-477Z	E CAP.	470μF 10V M
C608	NCB31HK-103X	C CAP.	0.01μF 50V K
C609	QFVFLHJ-104Z	MF CAP.	0.1μF 50V J
C610	QFVFLHJ-104Z	MF CAP.	0.1μF 50V J
C611	QFVFLHJ-104Z	MF CAP.	0.1μF 50V J
C621	NCB31HK-102X	C CAP.	1000pF 50V K
C622	NCF21CZ-105X	C CAP.	1μF 16V Z
C623	NCB31HK-102X	C CAP.	1000pF 50V K
C624	NCF21CZ-105X	C CAP.	1μF 16V Z
C625	QETNLHM-107Z	E CAP.	100μF 16V M
C626	QETNLHM-108Z	E CAP.	1000μF 25V M
C627	QETNLHM-474Z	E CAP.	0.47μF 50V M
C628	QETNLHM-108Z	E CAP.	1000μF 25V M
C629	QETNLHM-108Z	E CAP.	1000μF 25V M
C636	QETNLHM-105Z	E CAP.	1μF 50V M
C637	QETNLHM-105Z	E CAP.	1μF 50V M
C652	NCB31EK-104X	C CAP.	0.01μF 25V K

[AV-32360/R, AV-32S36/R]

Symbol No.	Part No.	Part Name	Description
CAPACITOR			
C653	NCB31EK-104X	C CAP.	0.1 μ F 25V K
C654	NCB31EK-104X	C CAP.	0.1 μ F 25V K
C655	NCB31HK-103X	C CAP.	0.01 μ F 50V K
C656	NDC31HJ-150X	C CAP.	15pF 50V J
C657	NDC31HJ-150X	C CAP.	15pF 50V J
C658	NDC31HJ-150X	C CAP.	15pF 50V J
C700	NCB31HK-102X	C CAP.	1000pF 50V K
C701	QETN1HM-106Z	E CAP.	10 μ F 50V M
C702	QETN1HM-106Z	E CAP.	10 μ F 50V M
C703	QETN1HM-106Z	E CAP.	10 μ F 50V M
C704	QETN1CM-107Z	E CAP.	100 μ F 16V M
C705	NCB31HK-103X	C CAP.	0.01 μ F 50V K
C706	QETN1HM-105Z	E CAP.	1 μ F 50V M
C708	NDC31HJ-220X	C CAP.	22pF 50V J
C709	NDC31HJ-220X	C CAP.	22pF 50V J
C711	QETN1CM-107Z	E CAP.	100 μ F 16V M
C712	NCB31HK-103X	C CAP.	0.01 μ F 50V K
C716	QETN1HM-106Z	E CAP.	10 μ F 50V M
C721	NCB31HK-103X	C CAP.	0.01 μ F 50V K
C726	NDC31HJ-5611X	C CAP.	560pF 50V J
C728	NCB31HK-103X	C CAP.	0.01 μ F 50V K
C807	QETN1AM-477Z	E CAP.	470 μ F 10V M
C813	NCB31HK-102X	C CAP.	1000pF 50V K
C815	NCB31HK-103X	C CAP.	0.01 μ F 50V K
C853	QETN1CM-227Z	E CAP.	220 μ F 16V M
C854	QETN1CM-227Z	E CAP.	220 μ F 16V M
C856	QETN1CM-227Z	E CAP.	220 μ F 16V M
C857	QETN1CM-477Z	E CAP.	470 μ F 16V M
△ C901	QFZ9067-104	MF CAP.	0.1 μ FAC275V M
△ C902	QFZ9075-473	MPP CAP.	0.047 μ FAC275V K
△ C902	or QFZ9072-473	MF CAP.	0.047 μ FAC275V K
△ C904	QCZ9054-102	C CAP.	1000pFAC250V Z
△ C905	QCZ9054-102	C CAP.	1000pFAC250V Z
△ C906	QCZ9054-102	C CAP.	1000pFAC250V Z
△ C907	QEZ0169-477	E CAP.	470 μ F 200V M
△ C908	QCZ9054-102	C CAP.	1000pFAC250V M
△ C908	or QCZ9079-102	C CAP.	1000pFAC250V M
△ C912	QCZ0340-22Z	C CAP.	2200pF 2kV K
△ C913	QFLC1HJ-471Z	M CAP.	470pF 50V J
△ C914	QETN1HM-107Z	E CAP.	100 μ F 50V M
△ C916	NDC31HJ-331X	C CAP.	330pF 50V J
△ C917	NCB31HK-182X	C CAP.	1800pF 50V K
△ C918	NCB21HK-104X	C CAP.	0.1 μ F 50V K
△ C919	QFP32GJ-103	PP CAP.	0.01 μ F 400V J
△ C931	QEZ0203-107	E CAP.	100 μ F 160V M
△ C933	QETN1CM-108Z	E CAP.	1000 μ F 16V M
△ C934	NDC31HJ-1511X	C CAP.	150pF 50V J
△ C935	QETN1EM-108Z	E CAP.	1000 μ F 25V M
△ C937	QCZ0340-102	C CAP.	1000pF 2kV K
△ C938	QETN1CM-477Z	E CAP.	470 μ F 16V M
△ C939	QCB32HK-152Z	C CAP.	1500pF 500V K
△ C941	QCB32HK-102Z	C CAP.	1000pF 500V K
△ C942	QEHR1HM-105Z	E CAP.	1 μ F 50V M
△ C951	QETN1EM-477Z	E CAP.	470 μ F 25V M
△ C952	QETN1CM-227Z	E CAP.	220 μ F 16V M
△ C971	QETN1CM-107Z	E CAP.	100 μ F 16V M
△ C972	QETN1EM-476Z	E CAP.	47 μ F 25V M
△ C973	QETN1HM-106Z	E CAP.	10 μ F 50V M
△ C997	QCZ9052-102	C CAP.	1000pFAC125V M
△ C998	QCZ9074-103	C CAP.	0.01 μ FAC250V M
△ C999	QCZ9074-103	C CAP.	0.01 μ FAC250V M

TRANSF

T111	QQR0907-001	IFT	
T501	CE42034-002	HOR DRIVE TRANS	
△ T502	QQH0121-001	FB TRANSF	
△ T921	QOS0138-001	SW TRANSF	
△ T951	QQT0355-001	POWER TRANSF	or QQT0372-001

COIL

L001	QQL244K-560Z	COIL	5 μ H K
L101	QQL2014-R22	INDUCTOR	
L113	QQL244K-4R7Z	COIL	4.7 μ H K
L131	QQL244K-150Z	COIL	15 μ H K
L161	QQL244K-220Z	INDUCTOR	
L232	QQL244K-560Z	COIL	5 μ H K
L241	QQL244K-220Z	INDUCTOR	
L391	QQL244K-220Z	INDUCTOR	

Symbol No.	Part No.	Part Name	Description
COIL			
△ L511	CE41029-00A	LINEARITY COIL	
L512	QQL2036-821	INDUCTOR	or QQL2027-821
△ L521	QQL2026-540	INDUCTOR	
L701	QQL244K-220Z	INDUCTOR	
L702	QQL244K-220Z	INDUCTOR	
L703	QQL244K-220Z	INDUCTOR	
L704	QQL244K-220Z	INDUCTOR	
L705	QQL244K-220Z	INDUCTOR	
L931	QQL26AK-470Z	COIL	47 μ H K
L933	QQL26AK-470Z	COIL	47 μ H K
L940	QQR0582-001Z	FERRITE BEADS	

DIODE

D305	1S5133-T2	SI DIODE	
D306	1S5133-T2	SI DIODE	
D307	1S5133-T2	SI DIODE	
D308	1S5133-T2	SI DIODE	
D309	1S5133-T2	SI DIODE	
D310	1S5133-T2	SI DIODE	
D352	MTZJ9.1C-T2	Z DIODE	
D353	1S5133-T2	SI DIODE	
D354	MTZJ3.3A-T2	Z DIODE	
D421	1N4003-T2	SI DIODE	
D422	MTZJ75-T2	Z DIODE	
D432	1S5133-T2	SI DIODE	
D501	RH3G-F1	SI DIODE	
△ D502	RU3AM-LFC4	SI DIODE	
D521	RH1S-T3	SI DIODE	
D523	RGPI0J-5025-T3	SI DIODE	
D525	1S581-T5	SI DIODE	
D526	1S581-T5	SI DIODE	
D527	1SR124-400A-T2	SI DIODE	
D529	MTZJ5.1C-T2	Z DIODE	
△ D531	MA4068N/Z1/-T2	Z DIODE	
D535	1S5133-T2	SI DIODE	
D537	1SR35-400A-T2	SI DIODE	
D601	MTZJ9.1C-T2	Z DIODE	
D602	MTZJ9.1C-T2	Z DIODE	
D603	MTZJ9.1C-T2	Z DIODE	
D653	1S5133-T2	SI DIODE	
D654	1S5133-T2	SI DIODE	
D700	MTZJ5.6B-T2	Z DIODE	
D701	1S5133-T2	SI DIODE	
D703	MTZJ5.6B-T2	Z DIODE	
D704	MTZJ5.6B-T2	Z DIODE	
D705	1S5133-T2	SI DIODE	
D706	MTZJ5.6B-T2	Z DIODE	
D707	MTZJ5.6B-T2	Z DIODE	
D708	MTZJ5.6B-T2	Z DIODE	
D709	MTZJ5.6B-T2	Z DIODE	
D721	1S5133-T2	SI DIODE	
D722	1S5133-T2	SI DIODE	
D723	MTZJ5.6B-T2	Z DIODE	
D810	MTZJ5.6B-T2	Z DIODE	
△ D901	GS1B460-S1	BRIDGE DIODE	
D910	MA700A-T2	SB DIODE	
△ D911	RGPI0J-5025-T3	SI DIODE	
△ D912	RGPI0J-5025-T3	SI DIODE	
△ D913	RGPI0J-5025-T3	SI DIODE	
D914	1S5133-T2	SI DIODE	
D915	SARS01-T2	SI DIODE	
D917	MTZJ30A-T2	Z DIODE	
D918	MTZJ5.1C-T2	Z DIODE	
D920	1S5133-T2	SI DIODE	
D931	RU30A-F1	SI DIODE	
D933	RU3YK-LFC4	SI DIODE	
D935	RU3YK-LFC4	SI DIODE	
D941	MTZJ33A-T2	Z DIODE	
D945	MTZJ9.1B-T2	Z DIODE	
D952	1S5133-T2	SI DIODE	
D953	1S5133-T2	SI DIODE	
D954	1N4002G-T2	SI DIODE	
D955	1N4002G-T2	SI DIODE	
D956	1N4002G-T2	SI DIODE	
D957	1N4002G-T2	SI DIODE	
D972	MTZJ15C-T2	Z DIODE	
D973	1S5133-T2	SI DIODE	

TRANSISTOR

Q001	UN212-X	DIGI TRANSISTOR	
Q101	2SC5083/L-P/-T	TRANSISTOR	
Q131	2SB709A/QR/-X	TRANSISTOR	

[AV-32360/R, AV-32S36/R]

Symbol No.	Part No.	Part Name	Description
TRANSISTOR			
Q161	2SD601A/QR/-X	TRANSISTOR	
Q211	2SD601A/QR/-X	TRANSISTOR	
Q232	2SD601A/QR/-X	TRANSISTOR	
Q233	2SD601A/QR/-X	TRANSISTOR	
Q352	2SD601A/QR/-X	TRANSISTOR	
Q431	UN2212-X	DIGI TRANSISTOR	
Q501	2SC4212/Z1/	TRANSISTOR	
Q511	2SD2645-YD	POWER TRANSISTO	H. OUT
Q531	2SC2785/JH/-T	SI TRANSISTOR	
Q532	2SB709A/QR/-X	TRANSISTOR	
Q541	2SB709A/QR/-X	TRANSISTOR	
Q542	2SB709A/QR/-X	TRANSISTOR	
Q543	2SD1408/OY/-LB	POW TRANSISTOR	
Q622	2SD601A/QR/-X	TRANSISTOR	
Q623	UN2212-X	DIGI TRANSISTOR	
Q700	2SD601A/QR/-X	TRANSISTOR	
Q701	2SB709A/QR/-X	TRANSISTOR	
Q705	2SD601A/QR/-X	TRANSISTOR	
Q951	2SD1383K/AB/-X	TRANSISTOR	
Q971	2SA1208/ST/Z1-T	TRANSISTOR	
IC			
IC101	M52342SP	IC	
IC201	TM8812CSBNG3U68	IC	
IC421	LA7841	IC	
IC601	TA1287F-X	IC	
IC621	LA4485	IC	
IC702	AT24C08-32D50B	IC	(SERVICE)
IC703	S-80840ANY-T	IC	
IC704	AN78L05-T	IC	
IC852	AN7809F	IC	
IC852	or BA17809T	IC	or BA17809T
IC853	AN7805F	IC	
IC853	or BA17805T	IC	or BA17805T
IC911	STR-G6624/F8	IC	
IC921	SE135N	I C	
OTHERS			
CF001	QAX0349-001	C TRAP	
CF131	QAX0639-001Z	C TRAP	
CF161	QAX0642-001Z	C FILTER	
CN001	QGB1505J1-35	B TO B CONNE	
CN002	QGB1505J1-25	B TO B CONNE	
CN004	QGA2501C5-05Z	W TO B CONNE	
CN005	QGA2501C5-04Z	W TO B CONNE	
CN007	QGA2501C5-07Z	W TO B CONNE	
CN0PW	QMPD890-200-JS	POWER CORD	or QMPD200-200-JC
CP932	ICP-N70-T	C PROTECTOR	
CP936	ICP-N70-T	C PROTECTOR	
F901	QMF0007-5R0J1	FUSE	or QMF51U1-5R0-J8
F905	QMF2034-5R0Z-J1	FUSE	5.0A
FC901	CEM002-001Z	FUSE CLIP	
FC902	CEM002-001Z	FUSE CLIP	
FR525	QRZ9017-4R7	F R	4.7 Ω 1/4W J
FR527	QRZ9011-470	F R	47Ω 1/2W J
J601	QNN0349-002	PIN JACK	
J810	QNS001-001	JACK	
K401	QQR0621-002Z	FERRITE BEADS	
K912	QQR0582-001Z	FERRITE BEADS	
K916	QQR0582-001Z	FERRITE BEADS	
K917	QQR0582-001Z	FERRITE BEADS	
K918	QQR0582-001Z	FERRITE BEADS	
K931	QQR0582-001Z	FERRITE BEADS	
K932	QQR0582-001Z	FERRITE BEADS	
K933	QQR0621-002Z	FERRITE BEADS	
K935	QQR0582-001Z	FERRITE BEADS	
LC601	QQR1199-001	EMI FILTER	
LC602	QQR1199-001	EMI FILTER	
LC608	QQR1199-001	EMI FILTER	
LF901	QQR1085-003	LINE FILTER	or QQR0527-003
PC921	TLP421F/D4-GR/	IC (PHOTO COUPLE	
RY951	QSK0086-001	RELAY	
RY951	or QSK0085-001	RELAY	
RY951	or QSK0130-001	RELAY	
S421	QSL4413-C02	LEVER SWITCH	V. CENTER SW
SF101	QAX0723-001	SAW FILTER	
TH901	QAD0132-3R0	P THERMISTOR	
TU001	QAU0272-001	TUNER	
VA901	ERZ1V10V621CS	ZNR	
X701	QAX0717-001Z	CRYSTAL	

CRT SOCKET P.W. BOARD ASS'Y (SGE-3007A-M2)

Symbol No.	Part No.	Part Name	Description
RESISTOR			
R3354	NRS463J-221X	MG R	220Ω 1/16W J
R3355	NRS463J-221X	MG R	220Ω 1/16W J
R3356	NRS463J-221X	MG R	220Ω 1/16W J
R3357	NRS463J-101X	MG R	100Ω 1/16W J
R3358	NRS463J-101X	MG R	100Ω 1/16W J
R3359	NRS463J-101X	MG R	100Ω 1/16W J
R3360	QRZ0111-152	C R	1.5kΩ 1/2W K
R3361	QRZ0111-152	C R	1.5kΩ 1/2W K
R3362	QRZ0111-152	C R	1.5kΩ 1/2W K
R3363	QRG029J-103	OM R	10kΩ 2W J
R3364	QRG029J-103	OM R	10kΩ 2W J
R3365	QRG029J-103	OM R	10kΩ 2W J
R3366	NRS463J-182X	MG R	1.8kΩ 1/16W J
R3367	NRS463J-182X	MG R	1.8kΩ 1/16W J
R3368	NRS463J-182X	MG R	1.8kΩ 1/16W J
R3372	NRS463J-221X	MG R	220Ω 1/16W J
R3373	NRS463J-221X	MG R	220Ω 1/16W J
R3374	NRS463J-221X	MG R	220Ω 1/16W J
R3375	NRS463J-0R0X	MG R	0.0Ω 1/16W J
R3376	NRS463J-0R0X	MG R	0.0Ω 1/16W J
R3377	NRS463J-0R0X	MG R	0.0Ω 1/16W J
R3381	QRE121J-394Y	C R	390kΩ 1/2W J
R3391	NRS463J-152X	MG R	1.5kΩ 1/16W J
R3392	NRS463J-392X	MG R	3.9kΩ 1/16W J
R3393	NRS463J-102X	MG R	1kΩ 1/16W J
R3394	NRS463J-102X	MG R	1kΩ 1/16W J
R3395	NRS463J-102X	MG R	1kΩ 1/16W J
CAPACITOR			
C3354	NDC31HJ-331X	C CAP.	330pF 50V J
C3355	NDC31HJ-331X	C CAP.	330pF 50V J
C3356	NDC31HJ-391X	C CAP.	390pF 50V J
C3357	QETNLCH-107Z	E CAP.	100μF 16V M
C3382	QCZ0121-102	C CAP.	1000pF 3kV Z
C3391	QETNLAM-227Z	E CAP.	220μF 10V M
C3392	NDC31HJ-101X	C CAP.	100pF 50V J
COIL			
L3381	QQL244K-101Z	PEAKING COIL	
DIODE			
D3391	1SS133-T2	SI DIODE	
TRANSISTOR			
Q3351	2SC4544-LB	POW TRANSISTOR	
Q3352	2SC4544-LB	POW TRANSISTOR	
Q3353	2SC4544-LB	POW TRANSISTOR	
Q3391	2SA933AS/QR/-T	TRANSISTOR	
OTHERS			
CN3004	QJ8003-054010	SIN ID C-B WIRE	
CN3005	WJA0027-002A	E-S ID WIRE	
SK3351	QNZ0537-001	CRT SOCKET	or QNZ0536-001

[AV-32360/R, AV-32S36/R]

PIP P.W. BOARD ASS'Y (SGE-4001A-M2)

Refer to PARTS LIST in page 44 for this P.W. board

AV SELECTOR P.W. BOARD ASS'Y (SGE-5002A-M2)

Refer to PARTS LIST in page 45 for this P.W. board

FRONT AV IN P.W. BOARD ASS'Y (SGE-6002A-M2)

Refer to PARTS LIST in page 46 for this P.W. board

**FRONT CONTROL P.W. BOARD ASS'Y
(SGE-7002A-M2)**

Refer to PARTS LIST in page 46 for this P.W. board

[AV-32360/Y, AV-32S36/Y]

PRINTED WIRING BOARD PARTS LIST

MAIN P.W. BOARD ASS'Y (SGE-1009A-M2)

Symbol No.	Part No.	Part Name	Description
RESISTOR			
R002	NRSA63J-0R0X	MG R	0.0Ω 1/16W J
R003	NRSA63J-101X	MG R	100Ω 1/16W J
R004	NRSA63J-101X	MG R	100Ω 1/16W J
R005	NRSA63J-0R0X	MG R	0.0Ω 1/16W J
R008	NRSA63J-820X	MG R	82Ω 1/16W J
R009	NRSA63J-682X	MG R	6.8kΩ 1/16W J
R101	NRSA63J-562X	MG R	5.6kΩ 1/16W J
R102	NRSA63J-182X	MG R	1.8kΩ 1/16W J
R103	QRE121J-101Y	C R	100Ω 1/2W J
R104	NRSA63J-180X	MG R	18Ω 1/16W J
R105	NRSA63J-270X	MG R	27Ω 1/16W J
R111	NRSA63J-394X	MG R	390kΩ 1/16W J
R112	NRSA63J-334X	MG R	330kΩ 1/16W J
R113	NRSA63J-101X	MG R	100Ω 1/16W J
R115	NRSA63J-101X	MG R	100Ω 1/16W J
R116	NRSA63J-680X	MG R	68Ω 1/16W J
R117	NRSA63J-273X	MG R	27kΩ 1/16W J
R118	NRSA63J-223X	MG R	22kΩ 1/16W J
R131	NRSA63J-102X	MG R	1kΩ 1/16W J
R132	NRSA63J-331X	MG R	330Ω 1/16W J
R133	NRSA63J-821X	MG R	820Ω 1/16W J
R134	NRSA63J-561X	MG R	560Ω 1/16W J
R135	NRSA63J-102X	MG R	1kΩ 1/16W J
R161	NRSA63J-332X	MG R	3.3kΩ 1/16W J
R162	NRSA63J-0R0X	MG R	0.0Ω 1/16W J
R163	NRSA63J-223X	MG R	22kΩ 1/16W J
R164	NRSA63J-102X	MG R	1kΩ 1/16W J
R165	NRSA63J-223X	MG R	22kΩ 1/16W J
R166	NRSA63J-103X	MG R	10kΩ 1/16W J
R167	NRSA63J-102X	MG R	1kΩ 1/16W J
R168	NRSA63J-101X	MG R	100Ω 1/16W J
R169	NRSA63J-561X	MG R	560Ω 1/16W J
R171	NRSA63J-103X	MG R	10kΩ 1/16W J
R201	NRSA63J-223X	MG R	22kΩ 1/16W J
R212	NRSA63J-272X	MG R	2.7kΩ 1/16W J
R215	NRSA63J-562X	MG R	5.6kΩ 1/16W J
R216	NRSA63J-562X	MG R	5.6kΩ 1/16W J
R217	NRSA63J-102X	MG R	1kΩ 1/16W J
R222	NRSA63J-0R0X	MG R	0.0Ω 1/16W J
R227	NRSA63J-104X	MG R	100kΩ 1/16W J
R231	NRSA63J-182X	MG R	1.8kΩ 1/16W J
R237	NRSA63J-392X	MG R	3.9kΩ 1/16W J
R238	NRSA63J-473X	MG R	47kΩ 1/16W J
R241	NRSA63J-332X	MG R	3.3kΩ 1/16W J
R243	NRSA63J-152X	MG R	1.5kΩ 1/16W J
R281	NRSA63J-182X	MG R	1.8kΩ 1/16W J
R282	NRSA63J-392X	MG R	3.9kΩ 1/16W J
R283	NRSA63J-681X	MG R	680Ω 1/16W J
R286	NRSA63J-472X	MG R	4.7kΩ 1/16W J
R287	NRSA63J-101X	MG R	100Ω 1/16W J
R288	NRSA63J-471X	MG R	470Ω 1/16W J
R289	NRSA63J-154X	MG R	150kΩ 1/16W J
R290	NRSA63J-561X	MG R	560Ω 1/16W J
R292	NRSA63J-124X	MG R	120kΩ 1/16W J
R293	NRSA63J-224X	MG R	220kΩ 1/16W J
R301	NRSA63J-222X	MG R	2.2kΩ 1/16W J
R302	NRSA63J-222X	MG R	2.2kΩ 1/16W J
R303	NRSA63J-222X	MG R	2.2kΩ 1/16W J
R304	NRSA63J-101X	MG R	100Ω 1/16W J
R305	NRSA63J-101X	MG R	100Ω 1/16W J
R306	NRSA63J-101X	MG R	100Ω 1/16W J
R354	NRSA63J-0R0X	MG R	0.0Ω 1/16W J
R355	NRSA63J-0R0X	MG R	0.0Ω 1/16W J
R356	NRSA63J-123X	MG R	12kΩ 1/16W J
R359	NRSA63J-103X	MG R	10kΩ 1/16W J
R360	NCB31HK-103X	C CAP	0.01μF 50V K
R421	NRSA63J-822X	MG R	8.2kΩ 1/16W J
R423	NRSA63J-393X	MG R	39kΩ 1/16W J
R424	NRSA63J-393X	MG R	39kΩ 1/16W J
R426	NRSA63J-183X	MG R	18kΩ 1/16W J
R427	QRT029J-1R5	MF R	1.5Ω 2W J
R429	NRSA63J-272X	MG R	2.7kΩ 1/16W J
R430	NRSA63J-0R0X	MG R	0.0Ω 1/16W J
R431	NRSA63J-152X	MG R	1.5kΩ 1/16W J

Symbol No.	Part No.	Part Name	Description
RESISTOR			
R432	NRSA63J-101X	MG R	100Ω 1/16W J
R433	NRSA63J-681X	MG R	68Ω 1/16W J
R434	QRL029J-181	OM R	180Ω 2W J
R435	QRE121J-102Y	C R	1kΩ 1/2W J
R441	NRSA63J-0R0X	MG R	0.0Ω 1/16W J
R447	NRSA63J-104X	MG R	100kΩ 1/16W J
R448	NRSA63J-473X	MG R	47kΩ 1/16W J
R449	NRSA63J-103X	MG R	10kΩ 1/16W J
R501	NRSA63J-0R0X	MG R	0.0Ω 1/16W J
R502	NRSA63J-271X	MG R	27Ω 1/16W J
R503	QRE121J-103Y	C R	10kΩ 1/2W J
R504	QRL029J-102	OM R	1kΩ 3W J
R505	QRL029J-102	OM R	1kΩ 3W J
R511	QRE121J-220Y	C R	22Ω 1/2W J
R512	QRE121J-681Y	C R	68Ω 1/2W J
R523	QRJ146J-333X	C R	33kΩ 1/4W J
R526	QRE121J-272Y	C R	2.7kΩ 1/2W J
R527	QRE121J-154Y	C R	150kΩ 1/2W J
R528	QRE121J-154Y	C R	150kΩ 1/2W J
R529	NRSA63J-331X	MG R	33Ω 1/16W J
R531	QRJ146J-391X	C R	39Ω 1/4W J
R532	NRSA63J-273X	MG R	27kΩ 1/16W J
R533	NRSA63J-123X	MG R	12kΩ 1/16W J
R534	NRSA63J-123X	MG R	12kΩ 1/16W J
Δ R535	NRVA02D-222X	MF R	2.2kΩ 1/10W D
Δ R537	NRVA02D-752X	MF R	7.5kΩ 1/10W D
R538	NRSA63J-333X	MG R	33Ω 1/16W J
R543	QRE121J-122Y	C R	1.2kΩ 1/2W J
R544	QRE121J-392Y	C R	3.9kΩ 1/2W J
R545	QRE121J-822Y	C R	8.2kΩ 1/2W J
R546	NRSA63J-331X	MG R	33Ω 1/16W J
R547	NRSA63J-104X	MG R	100kΩ 1/16W J
R548	QRE121J-152Y	C R	1.5kΩ 1/2W J
R553	QRL029J-180	OM R	18Ω 3W J
Δ R554	QRK126J-150X	C R	15Ω 1/2W J
R555	QRX029J-3R3	MF R	3.3Ω 2W J
R601	NRSA63J-750X	MG R	75Ω 1/16W J
R602	NRSA63J-750X	MG R	75Ω 1/16W J
R603	NRSA63J-750X	MG R	75Ω 1/16W J
R614	NRSA63J-682X	MG R	6.8kΩ 1/16W J
R615	NRSA63J-332X	MG R	3.3kΩ 1/16W J
R621	NRSA63J-682X	MG R	6.8kΩ 1/16W J
R622	NRSA63J-681X	MG R	68Ω 1/16W J
R623	NRSA63J-682X	MG R	6.8kΩ 1/16W J
R624	NRSA63J-681X	MG R	68Ω 1/16W J
R626	NRSA63J-223X	MG R	22kΩ 1/16W J
R627	NRSA63J-223X	MG R	22kΩ 1/16W J
R631	NRSA63J-333X	MG R	33Ω 1/16W J
R632	NRSA63J-223X	MG R	22kΩ 1/16W J
R638	NRSA63J-0R0X	MG R	0.0Ω 1/16W J
R639	NRSA63J-0R0X	MG R	0.0Ω 1/16W J
R651	NRSA63J-0R0X	MG R	0.0Ω 1/16W J
R652	NRSA63J-0R0X	MG R	0.0Ω 1/16W J
R653	NRSA63J-0R0X	MG R	0.0Ω 1/16W J
R655	NRSA63J-153X	MG R	15kΩ 1/16W J
R700	NRSA63J-102X	MG R	1kΩ 1/16W J
R701	NRSA63J-103X	MG R	10kΩ 1/16W J
R702	NRSA63J-102X	MG R	1kΩ 1/16W J
R704	NRSA63J-472X	MG R	4.7kΩ 1/16W J
R705	NRSA63J-472X	MG R	4.7kΩ 1/16W J
R706	NRSA63J-472X	MG R	4.7kΩ 1/16W J
R707	NRSA63J-103X	MG R	10kΩ 1/16W J
R708	NRSA63J-101X	MG R	100Ω 1/16W J
R709	NRSA63J-101X	MG R	100Ω 1/16W J
R714	NRSA63J-823X	MG R	82kΩ 1/16W J
R715	NRSA63J-103X	MG R	10kΩ 1/16W J
R718	NRSA63J-223X	MG R	22kΩ 1/16W J
R721	NRSA63J-102X	MG R	1kΩ 1/16W J
R728	NRSA63J-102X	MG R	1kΩ 1/16W J
R729	NRSA63J-223X	MG R	22kΩ 1/16W J
R731	NRSA63J-101X	MG R	100Ω 1/16W J
R732	NRSA63J-101X	MG R	100Ω 1/16W J
R733	NRSA63J-472X	MG R	4.7kΩ 1/16W J
R734	NRSA63J-472X	MG R	4.7kΩ 1/16W J

[AV-32360/Y, AV-32S36/Y]

Symbol No.	Part No.	Part Name	Description
RESISTOR			
R737	NRS463J-472X	MG R	4.7kΩ 1/16W J
R739	NRS463J-0R0X	MG R	0.0Ω 1/16W J
R740	NRS463J-103X	MG R	10kΩ 1/16W J
R754	NRS463J-472X	MG R	4.7kΩ 1/16W J
R755	NRS463J-153X	MG R	15kΩ 1/16W J
R756	NRS463J-103X	MG R	10kΩ 1/16W J
R764	NRS463J-221X	MG R	220Ω 1/16W J
R765	NRS463J-221X	MG R	220Ω 1/16W J
R766	NRS463J-221X	MG R	220Ω 1/16W J
R767	NRS463J-221X	MG R	220Ω 1/16W J
R769	NRS463J-682X	MG R	6.8kΩ 1/16W J
R772	NRS463J-103X	MG R	10kΩ 1/16W J
R775	NRS463J-473X	MG R	47kΩ 1/16W J
R776	NRS463J-103X	MG R	10kΩ 1/16W J
R811	NRS463J-473X	MG R	47kΩ 1/16W J
R812	NRS463J-102X	MG R	1kΩ 1/16W J
R816	NRS463J-124X	MG R	120kΩ 1/16W J
R821	NRS463J-184X	MG R	180kΩ 1/16W J
R822	NRS463J-124X	MG R	120kΩ 1/16W J
R827	NRS463J-102X	MG R	1kΩ 1/16W J
R855	QRG09J-100	OM R	10Ω 3W J
△ R857	QRL029J-270	OM R	27Ω 2W J
△ R858	QRL029J-180	OM R	18Ω 2W J
△ R901	QRF074K-R47	UNF R	0.47Ω 7W K
△ R909	QRG01GJ-470	OM R	47Ω 1W J
R911	QRE121J-223Y	C R	22kΩ 1/2W J
R912	QRT029J-R22	MF R	0.22Ω 2W J
R913	QRT029J-R22	MF R	0.22Ω 2W J
R914	QRK126J-681X	C R	680Ω 1/2W J
R915	QRK129J-68R	C R	6.8Ω 1/2W J
R917	QRK126J-332X	C R	3.3kΩ 1/2W J
R918	QRE121J-222Y	C R	2.2kΩ 1/2W J
R919	QRE121J-684Y	C R	680kΩ 1/2W J
R924	QRE121J-222Y	C R	2.2kΩ 1/2W J
R930	QRE121J-223Y	C R	22kΩ 1/2W J
R939	QRT09J-2R2	MF R	2.2Ω 3W J
R940	QRE121J-181Y	C R	180Ω 1/2W J
R941	QRL029J-183	OM R	18kΩ 2W J
R950	NRS463J-0R0X	MG R	0.0Ω 1/16W J
R951	NRS463J-473X	MG R	47kΩ 1/16W J
R952	NRS463J-102X	MG R	1kΩ 1/16W J
R953	QRE121J-820Y	C R	82Ω 1/2W J
R973	QRE121J-272Y	C R	2.7kΩ 1/2W J
R975	QRE121J-223Y	C R	22kΩ 1/2W J
R977	QRE121J-473Y	C R	47kΩ 1/2W J
R978	NRS463J-333X	MG R	33kΩ 1/16W J
R979	QRT029J-1R2	MF R	1.2Ω 2W J
R980	QRT029J-1R2	MF R	1.2Ω 2W J
△ R998	QRZ904I-275	C R	2.7kΩ 1/2W K
R999	QRE121J-121Y	C R	120Ω 1/2W J

CAPACITOR

C001	QETNLHM-475Z	E CAP.	4.7μF 50V M
C003	QETNLHM-106Z	E CAP.	10μF 50V M
C004	QETNLHM-108Z	E CAP.	1000pF 16V M
C006	QETNLEM-476Z	E CAP.	47μF 25V M
C101	NCB31HK-103X	C CAP.	0.01μF 50V K
C102	NCB31HK-103X	C CAP.	0.01μF 50V K
C104	NCB31HK-103X	C CAP.	0.01μF 50V K
C105	NCB31HK-103X	C CAP.	0.01μF 50V K
C106	QETNLEM-476Z	E CAP.	47μF 25V M
C107	NCB31HK-103X	C CAP.	0.01μF 50V K
C113	NCB31HK-103X	C CAP.	0.01μF 50V K
C114	NCB31HK-103X	C CAP.	0.01μF 50V K
C116	QFVFIHJ-224Z	MF CAP.	0.22μF 50V J
C117	QETNLEM-476Z	E CAP.	47μF 25V M
C118	NCB31HK-103X	C CAP.	0.01μF 50V K
C119	NDC31HJ-681X	C CAP.	680pF 50V J
C120	QETNLHM-474Z	E CAP.	0.47μF 50V M
C124	NCB31HK-103X	C CAP.	0.01μF 50V K
C131	NCB31HK-103X	C CAP.	0.01μF 50V K
C161	QETNLHM-106Z	E CAP.	10μF 50V M
C163	NDC31HJ-470X	C CAP.	47pF 50V J
C164	NDC31HJ-470X	C CAP.	47pF 50V J
C165	NCB31HK-103X	C CAP.	0.01μF 50V K
C166	NCB31HK-103X	C CAP.	0.01μF 50V K

CAPACITOR

C202	QETNLHM-105Z	E CAP.	1μF 50V M
C203	NCB31HK-152X	C CAP.	1500pF 50V K
C211	QENCLCM-106Z	E CAP.	10μF 16V M
C212	NDC31HJ-100X	C CAP.	10pF 50V J
C221	QETNLHM-106Z	E CAP.	10μF 50V M
C222	QFVFIHJ-104Z	MF CAP.	0.1μF 50V J
C223	NCB31HK-103X	C CAP.	0.01μF 50V K
C233	NDC31HJ-680X	C CAP.	68pF 50V J
C237	NCB31HK-103X	C CAP.	0.01μF 50V K
C241	NCB31HK-103X	C CAP.	0.01μF 50V K
C242	QETNLHM-225Z	E CAP.	2.2μF 50V M
C243	QETNLHM-107Z	E CAP.	100μF 16V M
C244	NCB31HK-103X	C CAP.	0.01μF 50V K
C281	QFVFIHJ-474Z	MF CAP.	0.47μF 50V J
C282	QETNLHM-107Z	E CAP.	100μF 16V M
C283	NCB31HK-103X	C CAP.	0.01μF 50V K
C284	QETNLHM-225Z	E CAP.	2.2μF 50V M
C285	NCB31HK-103X	C CAP.	0.01μF 50V K
C286	QETNLHM-106Z	E CAP.	10μF 50V M
C287	QETNLHM-107Z	E CAP.	100μF 16V M
C288	NCB31HK-103X	C CAP.	0.01μF 50V K
C352	QETNLHM-336Z	E CAP.	33μF 16V M
C354	NCB31HK-103X	C CAP.	0.01μF 50V K
C391	QETNLHM-107Z	E CAP.	100μF 16V M
C392	NCB31HK-103X	C CAP.	0.01μF 50V K
C422	QFLCZAJ-102Z	M CAP.	1000pF 100V J
C424	QETNLHM-107Z	E CAP.	100μF 35V M
C425	QETNLHM-477Z	E CAP.	470μF 35V M
C427	QETNLHM-105Z	E CAP.	1μF 50V M
C428	QETNLEM-228	E CAP.	2200μF 25V M
C431	QFLCZAK-563Z	M CAP.	0.056μF 100V K
C432	QETNLEM-476Z	E CAP.	47μF 25V M
C433	QETNLEM-476Z	E CAP.	47μF 25V M
C435	NCB31HK-183X	C CAP.	0.018μF 50V K
C440	QCS32HJ-220Z	C CAP.	22pF 500V J
C501	QCB32HK-151Z	C CAP.	150pF 500V K
C502	QCB32HK-331Z	C CAP.	330pF 500V K
C503	QEHRCM-105Z	E CAP.	1μF 160V M
C504	QEZ0203-107	E CAP.	100μF 160V M
C507	QEM6LHK-475Z	E CAP.	4.7μF 50V K
C508	QEM6LHK-475Z	E CAP.	4.7μF 50V K
△ C510	QFZ0196-53Z	MPP CAP.	5300pF 1.5kVH±3%
△ C510	or QFZ0200-53Z	MPP CAP.	5300pF 1.5kVH±3%
△ C513	QFZ0198-133	MPP CAP.	0.013μF 1.5kVH±3%
△ C514	QFP32GJ-183	PP CAP.	0.018μF 400V J
△ C515	QFZ0197-564	MPP CAP.	0.56μF 250V J
△ C515	or QFZ0199-564	MPP CAP.	0.56μF 250V J
C516	QCB32HK-561Z	C CAP.	560pF 500V K
C521	QETNLEM-106Z	E CAP.	10μF 250V M
C523	QEHRLVM-108Z	E CAP.	1000μF 35V M
C525	QETNLHM-107Z	E CAP.	100μF 35V M
C526	QFV21HJ-824Z	MF CAP.	0.82μF 50V J
C527	QFLCZAJ-103Z	M CAP.	0.01μF 100V J
C531	QCB32HK-102Z	C CAP.	1000pF 500V K
C533	QETNLHM-106Z	E CAP.	10μF 50V M
C601	QETNLEM-476Z	E CAP.	47μF 25V M
C602	QETNLEM-476Z	E CAP.	47μF 25V M
C603	QETNLEM-476Z	E CAP.	47μF 25V M
C604	NCB31EK-104X	C CAP.	0.01μF 25V K
C605	NCB31EK-104X	C CAP.	0.01μF 25V K
C606	NCB31EK-104X	C CAP.	0.01μF 25V K
C607	QETNLAM-477Z	E CAP.	470μF 10V M
C608	NCB31HK-103X	C CAP.	0.01μF 50V K
C609	QFVFIHJ-104Z	MF CAP.	0.1μF 50V J
C610	QFVFIHJ-104Z	MF CAP.	0.1μF 50V J
C611	QFVFIHJ-104Z	MF CAP.	0.1μF 50V J
C621	NCB31HK-102X	C CAP.	1000pF 50V K
C622	NCF21CZ-105X	C CAP.	1μF 16V Z
C623	NCB31HK-102X	C CAP.	1000pF 50V K
C624	NCF21CZ-105X	C CAP.	1μF 16V Z
C625	QETNLHM-107Z	E CAP.	100μF 16V M
C626	QETNLEM-108Z	E CAP.	1000μF 25V M
C627	QETNLHM-474Z	E CAP.	0.47μF 50V M
C628	QETNLEM-108Z	E CAP.	1000μF 25V M
C629	QETNLEM-108Z	E CAP.	1000μF 25V M
C636	QETNLHM-105Z	E CAP.	1μF 50V M
C637	QETNLHM-105Z	E CAP.	1μF 50V M
C652	NCB31EK-104X	C CAP.	0.01μF 25V K

[AV-32360/Y, AV-32S36/Y]

Symbol No.	Part No.	Part Name	Description
CAPACITOR			
C653	NCB31EK-104X	C CAP.	0.1 μ F 25V K
C654	NCB31EK-104X	C CAP.	0.1 μ F 25V K
C655	NCB31HK-103X	C CAP.	0.01 μ F 50V K
C656	NDC31HJ-150X	C CAP.	15 μ F 50V J
C657	NDC31HJ-150X	C CAP.	15 μ F 50V J
C658	NDC31HJ-150X	C CAP.	15 μ F 50V J
C700	NCB31HK-102X	C CAP.	100 μ F 50V K
C701	QETN1HM-106Z	E CAP.	10 μ F 50V M
C702	QETN1HM-106Z	E CAP.	10 μ F 50V M
C703	QETN1HM-106Z	E CAP.	10 μ F 50V M
C704	QETN1CM-107Z	E CAP.	100 μ F 16V M
C705	NCB31HK-103X	C CAP.	0.01 μ F 50V K
C706	QETN1HM-105Z	E CAP.	1 μ F 50V M
C708	NDC31HJ-220X	C CAP.	22 μ F 50V J
C709	NDC31HJ-220X	C CAP.	22 μ F 50V J
C711	QETN1CM-107Z	E CAP.	100 μ F 16V M
C712	NCB31HK-103X	C CAP.	0.01 μ F 50V K
C716	QETN1HM-106Z	E CAP.	10 μ F 50V M
C721	NCB31HK-103X	C CAP.	0.01 μ F 50V K
C726	NDC31HJ-561X	C CAP.	560 μ F 50V J
C728	NCB31HK-103X	C CAP.	0.01 μ F 50V K
C807	QETN1AM-477Z	E CAP.	470 μ F 10V M
C813	NCB31HK-102X	C CAP.	100 μ F 50V K
C815	NCB31HK-103X	C CAP.	0.01 μ F 50V K
C853	QETN1CM-227Z	E CAP.	220 μ F 16V M
C854	QETN1CM-227Z	E CAP.	220 μ F 16V M
C856	QETN1CM-227Z	E CAP.	220 μ F 16V M
C857	QETN1CM-477Z	E CAP.	470 μ F 16V M
△ C901	QFZ9067-104	MF CAP.	0.1 μ FAC275V M
△ C902	QFZ9075-473	MPP CAP.	0.047 μ FAC275V K
△ C902	or QFZ9072-473	MF CAP.	0.047 μ FAC275V K
△ C904	QCZ9054-102	C CAP.	100 μ FAC250V Z
△ C905	QCZ9054-102	C CAP.	100 μ FAC250V Z
△ C906	QCZ9054-102	C CAP.	100 μ FAC250V Z
△ C907	QEZ0169-477	E CAP.	470 μ F 200V M
△ C908	QCZ9054-102	C CAP.	100 μ FAC250V M
△ C908	or QCZ9079-102	C CAP.	100 μ FAC250V M
△ C912	QCZ0340-222	C CAP.	220 μ F 2kV K
△ C913	QFLC1HJ-471Z	M CAP.	470 μ F 50V J
△ C914	QETN1HM-107Z	E CAP.	100 μ F 50V M
△ C916	NDC31HJ-331X	C CAP.	330 μ F 50V J
△ C917	NCB31HK-182X	C CAP.	180 μ F 50V K
△ C918	NCB21HK-104X	C CAP.	0.1 μ F 50V K
△ C919	QFP32GJ-103	PP CAP.	0.01 μ F 400V J
△ C931	QEZ0203-107	E CAP.	100 μ F 160V M
△ C933	QETN1CM-108Z	E CAP.	100 μ F 16V M
△ C934	NDC31HJ-151X	C CAP.	150 μ F 50V J
△ C935	QETN1EM-108Z	E CAP.	1000 μ F 25V M
△ C937	QCZ0340-102	C CAP.	100 μ F 2kV K
△ C938	QETN1CM-477Z	E CAP.	470 μ F 16V M
△ C939	QCB32HK-152Z	C CAP.	150 μ F 500V K
△ C941	QCB32HK-102Z	C CAP.	100 μ F 500V K
△ C942	QEHL1HM-105Z	E CAP.	1 μ F 50V M
△ C951	QETN1EM-477Z	E CAP.	470 μ F 25V M
△ C952	QETN1CM-227Z	E CAP.	220 μ F 16V M
△ C971	QETN1CM-107Z	E CAP.	100 μ F 16V M
△ C972	QETN1EM-476Z	E CAP.	47 μ F 25V M
△ C973	QETN1HM-106Z	E CAP.	10 μ F 50V M
△ C997	QCZ9052-102	C CAP.	100 μ FAC125V M
△ C998	QCZ9074-103	C CAP.	0.01 μ FAC250V M
△ C999	QCZ9074-103	C CAP.	0.01 μ FAC250V M

Symbol No.	Part No.	Part Name	Description
TRANSF			
T111	QQR0907-001	IFT	
T501	CE42034-002	HOR DRIVE TRANS	
△ T502	QQH0121-001	FB TRANSF	
△ T921	QOS0138-001	SW TRANSF	
△ T951	QQT0355-001	POWER TRANSF	or QQT0372-001

Symbol No.	Part No.	Part Name	Description
COIL			
L001	QQL244K-560Z	COIL	56 μ H K
L101	QQL2014-R22	INDUCTOR	
L113	QQL244K-4R7Z	COIL	4.7 μ H K
L131	QQL244K-150Z	COIL	15 μ H K
L161	QQL244K-220Z	INDUCTOR	

Symbol No.	Part No.	Part Name	Description
COIL			
L232	QQL244K-560Z	COIL	56 μ H K
L241	QQL244K-220Z	INDUCTOR	
L391	QQL244K-220Z	INDUCTOR	
△ L511	QQR1027-003	LINEARITY COIL	
L512	QQL2036-821	INDUCTOR	or QQL2027-821
△ L521	QQL2026-560	INDUCTOR	
L701	QQL244K-220Z	INDUCTOR	
L702	QQL244K-220Z	INDUCTOR	
L703	QQL244K-220Z	INDUCTOR	
L704	QQL244K-220Z	INDUCTOR	
L705	QQL244K-220Z	INDUCTOR	
L931	QQL26AK-470Z	COIL	47 μ H K
L933	QQL26AK-470Z	COIL	47 μ H K
L940	QQR0582-001Z	FERRITE BEADS	

Symbol No.	Part No.	Part Name	Description
DIODE			
D305	1SS133-T2	SI DIODE	
D306	1SS133-T2	SI DIODE	
D307	1SS133-T2	SI DIODE	
D308	1SS133-T2	SI DIODE	
D309	1SS133-T2	SI DIODE	
D310	1SS133-T2	SI DIODE	
D352	MTZJ9-1C-T2	Z DIODE	
D353	1SS133-T2	SI DIODE	
D354	MTZJ3-3A-T2	Z DIODE	
D421	1N4003-T2	SI DIODE	
D422	MTZJ75-T2	Z DIODE	
D432	1SS133-T2	SI DIODE	
D501	RH3G-F1	SI DIODE	
△ D502	RU3AM-LFC4	SI DIODE	
D521	RH1S-T3	SI DIODE	
D523	RGPI0J-5025-T3	SI DIODE	
D525	1SS81-T5	SI DIODE	
D526	1SS81-T5	SI DIODE	
D527	1SR124-400A-T2	SI DIODE	
D529	MTZJ5-1C-T2	Z DIODE	
△ D531	MA4068N/Z1/-T2	Z DIODE	
D535	1SS133-T2	SI DIODE	
D537	1SR35-400A-T2	SI DIODE	
D601	MTZJ9-1C-T2	Z DIODE	
D602	MTZJ9-1C-T2	Z DIODE	
D603	MTZJ9-1C-T2	Z DIODE	
D653	1SS133-T2	SI DIODE	
D654	1SS133-T2	SI DIODE	
D700	MTZJ5-6B-T2	Z DIODE	
D701	1SS133-T2	SI DIODE	
D703	MTZJ5-6B-T2	Z DIODE	
D704	MTZJ5-6B-T2	Z DIODE	
D705	1SS133-T2	SI DIODE	
D706	MTZJ5-6B-T2	Z DIODE	
D707	MTZJ5-6B-T2	Z DIODE	
D708	MTZJ5-6B-T2	Z DIODE	
D709	MTZJ5-6B-T2	Z DIODE	
D721	1SS133-T2	SI DIODE	
D722	1SS133-T2	SI DIODE	
D723	MTZJ5-6B-T2	Z DIODE	
D810	MTZJ5-6B-T2	Z DIODE	
△ D901	GS1B460-S1	BRIDGE DIODE	
△ D910	MA700A-T2	SB DIODE	
△ D911	RGPI0J-5025-T3	SI DIODE	
△ D912	RGPI0J-5025-T3	SI DIODE	
△ D913	RGPI0J-5025-T3	SI DIODE	
△ D914	1SS133-T2	SI DIODE	
△ D915	SARS01-T2	SI DIODE	
△ D917	MTZJ30A-T2	Z DIODE	
△ D918	MTZJ5-1C-T2	Z DIODE	
△ D920	1SS133-T2	SI DIODE	
△ D931	RU30A-F1	SI DIODE	
△ D933	RU3YX-LFC4	SI DIODE	
△ D935	RU3YX-LFC4	SI DIODE	
△ D941	MTZJ33A-T2	Z DIODE	
△ D945	MTZJ9-1B-T2	Z DIODE	
△ D952	1SS133-T2	SI DIODE	
△ D953	1SS133-T2	SI DIODE	
△ D954	1N4002G-T2	SI DIODE	
△ D955	1N4002G-T2	SI DIODE	
△ D956	1N4002G-T2	SI DIODE	
△ D957	1N4002G-T2	SI DIODE	
△ D972	MTZJ15C-T2	Z DIODE	
△ D973	1SS133-T2	SI DIODE	

[AV-32360/Y, AV-32S36/Y]

Symbol No.	Part No.	Part Name	Description
TRANSISTOR			
Q001	UN2212-X	DIGI TRANSISTOR	
Q101	25C5083/L-P/-T	TRANSISTOR	
Q131	25B709A/QR/-X	TRANSISTOR	
Q161	25D601A/QR/-X	TRANSISTOR	
Q211	25D601A/QR/-X	TRANSISTOR	
Q232	25D601A/QR/-X	TRANSISTOR	
Q233	25D601A/QR/-X	TRANSISTOR	
Q352	25D601A/QR/-X	TRANSISTOR	
Q431	UN2212-X	DIGI TRANSISTOR	
Q501	25C4212/Z1/	TRANSISTOR	
△ Q511	25D2645-YD	POWER TRANSISTO	H. OUT
Q531	25C2785/JH/-T	SI TRANSISTOR	
Q532	25B709A/QR/-X	TRANSISTOR	
Q541	25B709A/QR/-X	TRANSISTOR	
Q542	25B709A/QR/-X	TRANSISTOR	
Q543	25D1408/OY/-LB	POW TRANSISTOR	
Q622	25D601A/QR/-X	TRANSISTOR	
Q623	UN2212-X	DIGI TRANSISTOR	
Q700	25D601A/QR/-X	TRANSISTOR	
Q701	25B709A/QR/-X	TRANSISTOR	
Q705	25D601A/QR/-X	TRANSISTOR	
Q951	25D1383K/AB/-X	TRANSISTOR	
Q971	25A1208/ST/Z1-T	TRANSISTOR	
IC			
IC101	M52242SP	IC	
IC201	TM8812CSBNG3U68	IC	
△ IC421	LA7841	IC	
△ IC601	TA1287F-X	IC	
IC621	LA4485	IC	
IC702	AT24C08-32D50B	IC	(SERVICE)
IC703	S-80840ANY-T	IC	
IC704	AN78L05-T	IC	
IC852	AN7809F	IC	
IC852	or BA17809T	IC	or BA17809T
IC853	AN7805F	IC	
IC853	or BA17805T	IC	or BA17805T
△ IC911	STR-G6624/F8	IC	
△ IC921	SE135N	I C	
OTHERS			
CF001	QAX0349-001	C TRAP	
CF131	QAX0639-001Z	C TRAP	
CF161	QAX0642-001Z	C FILTER	
CN001	QGB1505J1-35	B TO B CONNE	
CN002	QGB1505J1-25	B TO B CONNE	
CN004	QGA2501C5-05Z	W TO B CONNE	
CN005	QGA2501C5-04Z	W TO B CONNE	
CN007	QGA2501C5-07Z	W TO B CONNE	
△ CN09W	QMPD390-200-JS	POWER CORD	or QMPD200-200-JC
△ CP932	ICP-N70-T	C PROTECTOR	
△ CP936	ICP-N70-T	C PROTECTOR	
△ F901	QMF0007-5R0J1	FUSE	or QMF51U1-5R0-J8
△ F905	QMF2034-5R0Z-J1	FUSE	5.0A
△ FC901	CEM002-001Z	FUSE CLIP	
△ FC902	CEM002-001Z	FUSE CLIP	
△ FR525	QRZ9017-4R7	F R	4.7 Ω 1/4W J
△ FR527	QRZ9011-470	F R	47Ω 1/2W J
J601	QNN0349-002	PIN JACK	
J810	QNS0001-001	JACK	
K401	QQR0621-002Z	FERRITE BEADS	
K912	QQR0582-001Z	FERRITE BEADS	
K916	QQR0582-001Z	FERRITE BEADS	
K917	QQR0582-001Z	FERRITE BEADS	
K918	QQR0582-001Z	FERRITE BEADS	
K931	QQR0582-001Z	FERRITE BEADS	
K932	QQR0582-001Z	FERRITE BEADS	
K933	QQR0621-002Z	FERRITE BEADS	
K935	QQR0582-001Z	FERRITE BEADS	
LC601	QQR1199-001	EMI FILTER	
LC602	QQR1199-001	EMI FILTER	
LC603	QQR1199-001	EMI FILTER	
△ LF901	QQR1085-003	LINE FILTER	or QQR0527-00B
△ PC921	TLP421F/D4-GR/	IC(PHOTO COUPLE	
△ RY951	QSK0086-001	RELAY	
△ RY951	or QSK0085-001	RELAY	
△ RY951	or QSK0130-001	RELAY	
△ S421	QSL4A13-C02	LEVER SWITCH	V. CENTER SW
SF101	QAX0723-001	SAW FILTER	
△ TH901	QADD132-3R0	P THERMISTOR	
△ TU001	QAU0272-001	TUNER	
△ VA901	ERZV10V621CS	ZNR	
△ X701	QAX0717-001Z	CRYSTAL	

CRT SOCKET P.W. BOARD ASS'Y (SGE-3004A-M2)

Symbol No.	Part No.	Part Name	Description
RESISTOR			
R3354	NRS463J-221X	MG R	220Ω 1/16W J
R3355	NRS463J-221X	MG R	220Ω 1/16W J
R3356	NRS463J-221X	MG R	220Ω 1/16W J
R3357	NRS463J-101X	MG R	100Ω 1/16W J
R3358	NRS463J-101X	MG R	100Ω 1/16W J
R3359	NRS463J-101X	MG R	100Ω 1/16W J
R3360	QRZ0111-152	C R	1.5kΩ 1/2W K
R3361	QRZ0111-152	C R	1.5kΩ 1/2W K
R3362	QRZ0111-152	C R	1.5kΩ 1/2W K
R3363	QRG029J-103	OM R	10kΩ 2W J
R3364	QRG029J-103	OM R	10kΩ 2W J
R3365	QRG029J-103	OM R	10kΩ 2W J
R3366	NRS463J-182X	MG R	1.8kΩ 1/16W J
R3367	NRS463J-182X	MG R	1.8kΩ 1/16W J
R3368	NRS463J-182X	MG R	1.8kΩ 1/16W J
R3372	NRS463J-221X	MG R	220Ω 1/16W J
R3373	NRS463J-221X	MG R	220Ω 1/16W J
R3374	NRS463J-221X	MG R	220Ω 1/16W J
R3375	NRS463J-0R0X	MG R	0. Ω 1/16W J
R3376	NRS463J-0R0X	MG R	0. Ω 1/16W J
R3377	NRS463J-0R0X	MG R	0. Ω 1/16W J
R3381	QRE121J-394Y	C R	390kΩ 1/2W J
R3391	NRS463J-152X	MG R	1.5kΩ 1/16W J
R3392	NRS463J-392X	MG R	3.9kΩ 1/16W J
R3393	NRS463J-102X	MG R	1kΩ 1/16W J
R3394	NRS463J-102X	MG R	1kΩ 1/16W J
R3395	NRS463J-102X	MG R	1kΩ 1/16W J
CAPACITOR			
C3354	NDC31HJ-331X	C CAP.	330pF 50V J
C3355	NDC31HJ-331X	C CAP.	330pF 50V J
C3356	NDC31HJ-331X	C CAP.	330pF 50V J
C3357	QETNLCM-107Z	E CAP.	100uF 16V M
△ C3382	QCZ0121-102	C CAP.	1000pF 3kV Z
C3391	QETNLCM-227Z	E CAP.	220uF 10V M
C3392	NDC31HJ-101X	C CAP.	100pF 50V J
COIL			
L3381	QQL244K-101Z	PEAKING COIL	
DIODE			
D3391	1SS133-T2	SI DIODE	
TRANSISTOR			
Q3351	25C4544-LB	POW TRANSISTOR	
Q3352	25C4544-LB	POW TRANSISTOR	
Q3353	25C4544-LB	POW TRANSISTOR	
Q3391	25A933AS/QR/-T	TRANSISTOR	
OTHERS			
CN3004	QJB003-054010	SIN ID C-B WIRE	
CN3005	WJA0027-002A	E-S ID WIRE	
△ SK3351	QNZ0537-001	CRT SOCKET	or QNZ0536-001

[AV-32360/Y, AV-32S36/Y]

PIP P.W. BOARD ASS'Y (SGE-4001A-M2)

Refer to PARTS LIST in page 44 for this P.W. board

AV SELECTOR P.W. BOARD ASS'Y (SGE-5002A-M2)

Refer to PARTS LIST in page 45 for this P.W. board

FRONT AV IN P.W. BOARD ASS'Y (SGE-6002A-M2)

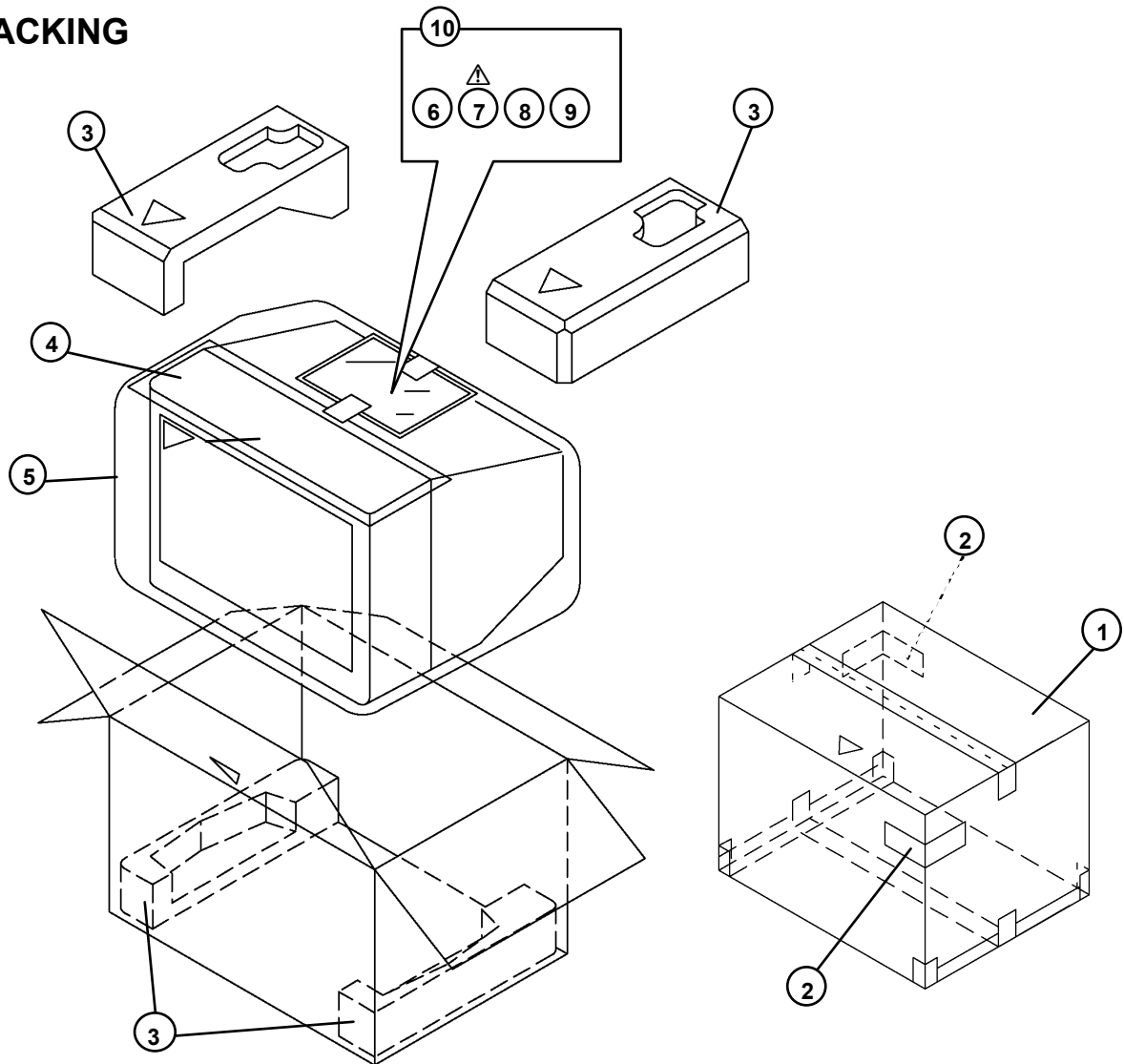
Refer to PARTS LIST in page 46 for this P.W. board

**FRONT CONTROL P.W. BOARD ASS'Y
(SGE-7002A-M2)**

Refer to PARTS LIST in page 46 for this P.W. board

[AV-32360 / AV-32S36]

PACKING



PACKING PARTS LIST

△ Ref.No.	Part No.	Part Name	Description
1	CP11548-052	PACKING CASE	
2	CM36616-001-A	CORNER LABEL	2pcs in 1set
3	LC10176-001B	CUSHION ASSY	4pcs in 1set
4	CP30611-A02	TOP COVER	
5	AP3756-11	POLY COVER	
6	RM-C254-1H	REMOCON UNIT	
△ 7	LCT1135-001A-A	INST BOOK	
8	BT-51028-2Q	REGISTRATION C	
9	BT-52006-1	WARRANTY CARD	
10	QPA02503505	POLY BAG	

REMOTE CONTROL UNIT PARTS LIST (RM-C254-1H)

△ Ref.No.	Part No.	Part Name	Description
1	UR77EC0603A	BATTERY COVER	

[AV-32330 / AV-32S33 / AV-32320]

EXPLODED VIEW PARTS LIST

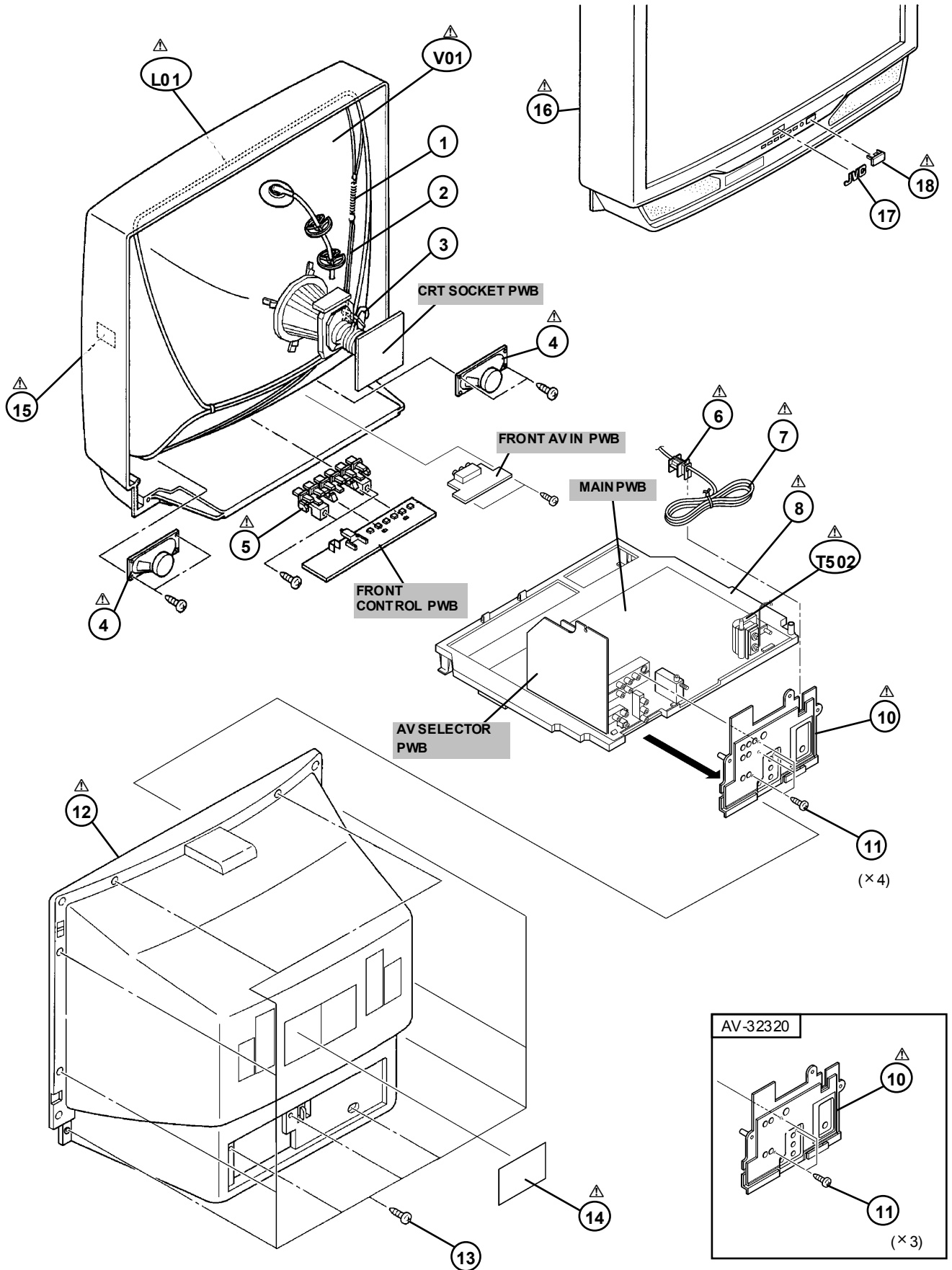
[AV-32330M, AV-32330R, AV-32330Y, AV-32320M, AV-32320R, AV-32320Y] : BLACK

△ Ref.No.	Part No.	Part Name	Description
△ V01	M80JUA061X06	ITC	[AV-32330/M] Inc.DY.PC MAGNET,WEDGE
△ V01	A80AEJ15X01	ITC	[AV-32330/R] Inc.DY.PC MAGNET,WEDGE
△ V01	A80AKB50X04	ITC	[AV-32330/Y] Inc.DY.PC MAGNET,WEDGE
△ V01	M80JUA061X06	ITC	[AV-32320/M] Inc.DY.PC MAGNET,WEDGE
△ V01	A80AEJ15X01	ITC	[AV-32320/R] Inc.DY.PC MAGNET,WEDGE
△ V01	A80AKB50X04	ITC	[AV-32320/Y] Inc.DY.PC MAGNET,WEDGE
△ L01	CELD066-002JA	DEG COIL	
△ T502	QQH0121-001	FB TRANSF	
1	A48457-1	SPRING	
2	WJY0016-002A	E-BRAIDED ASSY	
3	WJY0013-004A	E-BRAIDED ASSY (SUB)	
△ 4	CEBSS12D-04KJ2	SPEAKER	(×2) SP01,02
△ 5	LC20674-001A-A	PUSH KNOB	(BLACK)
△ 6	LC20106-001D-A	POWER CORD CLAMP	
△ 7	QMPD390-200-JS	POWER CORD	or QMPD200-200-JC Within MAIN PWB(CNOPW)
△ 8	LC11056-001A-A	CHASSIS BASE	
△ 10	LC20899-006A-A	TERMINAL BOARD	[AV-32330]
△ 10	LC20899-007A-A	TERMINAL BOARD	[AV-32320]
11	QYSBSB3010Z	TAP SCREW	(×4) [AV-32330]
11	QYSBSB3010Z	TAP SCREW	(×3) [AV-32320]
△ 12	CM12915-003-MA	REAR COVER	
13	QYSBSFG4016Z	TAP SCREW	(×11)
△ 14	LC31139-001A-A	RATING LABEL	
△ 15	GQ30034-001A-A	WARNING LABEL	
△ 16	CM12914-010-MA	FRONT CABINET	(BLACK) [AV-32330]
△ 16	CM12914-013-MA	FRONT CABINET	(BLACK) [AV-32320]
17	CM48006-006-C	JVC MARK	(BLACK)
△ 18	CM35983-001-H	REMOCON WINDOW	

[AV-32S33M, AV-32S33R, AV-32S33Y] : SILVER

△ Ref.No.	Part No.	Part Name	Description
△ V01	M80JUA061X06	ITC	[AV-32S33/M] Inc.DY.PC MAGNET,WEDGE
△ V01	A80AEJ15X01	ITC	[AV-32S33/R] Inc.DY.PC MAGNET,WEDGE
△ V01	A80AKB50X04	ITC	[AV-32S33/Y] Inc.DY.PC MAGNET,WEDGE
△ L01	CELD066-002JA	DEG COIL	
△ T502	QQH0121-001	FB TRANSF	
1	A48457-1	SPRING	
2	WJY0016-002A	E-BRAIDED ASSY	
3	WJY0013-004A	E-BRAIDED ASSY (SUB)	
△ 4	CEBSS12D-04KJ2	SPEAKER	(×2) SP01,02
△ 5	LC20674-004A-A	PUSH KNOB	(SILVER)
△ 6	LC20106-001D-A	POWER CORD CLAMP	
△ 7	QMPD390-200-JS	POWER CORD	or QMPD200-200-JC Within MAIN PWB(CNOPW)
△ 8	LC11056-001A-A	CHASSIS BASE	
△ 10	LC20899-006A-A	TERMINAL BOARD	
11	QYSBSB3010Z	TAP SCREW	(×4)
△ 12	CM12915-003-MA	REAR COVER	
13	QYSBSFG4016Z	TAP SCREW	(×11)
△ 14	LC31139-001A-A	RATING LABEL	
△ 15	GQ30034-001A-A	WARNING LABEL	
△ 16	CM12914-012-MA	FRONT CABINET	(SILVER)
17	CM48006-007-C	JVC MARK	(SILVER)
△ 18	CM35983-001-H	REMOCON WINDOW	

EXPLODED VIEW



[AV-32330/M , AV-32S33/M]

PRINTED WIRING BOARD PARTS LIST

MAIN P.W. BOARD ASS'Y (SGE-1042A-M2)

Symbol No.	Part No.	Part Name	Description
RESISTOR			
R002	NRSA63J-0R0X	MG R	0.0Ω 1/16W J
R003	NRSA63J-101X	MG R	100Ω 1/16W J
R004	NRSA63J-101X	MG R	100Ω 1/16W J
R005	NRSA63J-0R0X	MG R	0.0Ω 1/16W J
R008	NRSA63J-820X	MG R	82Ω 1/16W J
R009	NRSA63J-682X	MG R	6.8kΩ 1/16W J
R101	NRSA63J-562X	MG R	5.6kΩ 1/16W J
R102	NRSA63J-182X	MG R	1.8kΩ 1/16W J
R103	QRE121J-101Y	C R	100Ω 1/2W J
R104	NRSA63J-180X	MG R	18Ω 1/16W J
R105	NRSA63J-270X	MG R	27Ω 1/16W J
R111	NRSA63J-394X	MG R	390kΩ 1/16W J
R112	NRSA63J-334X	MG R	330kΩ 1/16W J
R113	NRSA63J-101X	MG R	100Ω 1/16W J
R115	NRSA63J-101X	MG R	100Ω 1/16W J
R116	NRSA63J-680X	MG R	68Ω 1/16W J
R117	NRSA63J-273X	MG R	27kΩ 1/16W J
R118	NRSA63J-223X	MG R	22kΩ 1/16W J
R131	NRSA63J-102X	MG R	1kΩ 1/16W J
R132	NRSA63J-331X	MG R	330Ω 1/16W J
R133	NRSA63J-821X	MG R	820Ω 1/16W J
R134	NRSA63J-561X	MG R	560Ω 1/16W J
R135	NRSA63J-102X	MG R	1kΩ 1/16W J
R161	NRSA63J-332X	MG R	3.3kΩ 1/16W J
R162	NRSA63J-0R0X	MG R	0.0Ω 1/16W J
R163	NRSA63J-223X	MG R	22kΩ 1/16W J
R164	NRSA63J-102X	MG R	1kΩ 1/16W J
R165	NRSA63J-223X	MG R	22kΩ 1/16W J
R166	NRSA63J-103X	MG R	10kΩ 1/16W J
R167	NRSA63J-102X	MG R	1kΩ 1/16W J
R168	NRSA63J-101X	MG R	100Ω 1/16W J
R169	NRSA63J-561X	MG R	560Ω 1/16W J
R171	NRSA63J-103X	MG R	10kΩ 1/16W J
R201	NRSA63J-223X	MG R	22kΩ 1/16W J
R212	NRSA63J-272X	MG R	2.7kΩ 1/16W J
R215	NRSA63J-562X	MG R	5.6kΩ 1/16W J
R216	NRSA63J-562X	MG R	5.6kΩ 1/16W J
R217	NRSA63J-102X	MG R	1kΩ 1/16W J
R222	NRSA63J-0R0X	MG R	0.0Ω 1/16W J
R227	NRSA63J-104X	MG R	100kΩ 1/16W J
R231	NRSA63J-182X	MG R	1.8kΩ 1/16W J
R237	NRSA63J-392X	MG R	3.9kΩ 1/16W J
R238	NRSA63J-473X	MG R	47kΩ 1/16W J
R241	NRSA63J-332X	MG R	3.3kΩ 1/16W J
R243	NRSA63J-152X	MG R	1.5kΩ 1/16W J
R281	NRSA63J-182X	MG R	1.8kΩ 1/16W J
R282	NRSA63J-392X	MG R	3.9kΩ 1/16W J
R283	NRSA63J-681X	MG R	680Ω 1/16W J
R286	NRSA63J-472X	MG R	4.7kΩ 1/16W J
R287	NRSA63J-101X	MG R	100Ω 1/16W J
R288	NRSA63J-471X	MG R	470Ω 1/16W J
R289	NRSA63J-154X	MG R	150kΩ 1/16W J
R290	NRSA63J-561X	MG R	560Ω 1/16W J
R292	NRSA63J-124X	MG R	120kΩ 1/16W J
R293	NRSA63J-224X	MG R	220kΩ 1/16W J
R301	NRSA63J-222X	MG R	2.2kΩ 1/16W J
R302	NRSA63J-222X	MG R	2.2kΩ 1/16W J
R303	NRSA63J-222X	MG R	2.2kΩ 1/16W J
R304	NRSA63J-101X	MG R	100Ω 1/16W J
R305	NRSA63J-101X	MG R	100Ω 1/16W J
R306	NRSA63J-101X	MG R	100Ω 1/16W J
R354	NRSA63J-0R0X	MG R	0.0Ω 1/16W J
R355	NRSA63J-0R0X	MG R	0.0Ω 1/16W J
R356	NRSA63J-123X	MG R	12kΩ 1/16W J
R359	NRSA63J-103X	MG R	10kΩ 1/16W J
R360	NCB31HK-103X	C CAP	0.01μF 50V K
R421	NRSA63J-822X	MG R	8.2kΩ 1/16W J
R423	NRSA63J-393X	MG R	39kΩ 1/16W J
R424	NRSA63J-393X	MG R	39kΩ 1/16W J
R426	NRSA63J-183X	MG R	18kΩ 1/16W J
R427	QRT029J-1R5	MF R	1.5Ω 2W J

Symbol No.	Part No.	Part Name	Description
RESISTOR			
R429	NRSA63J-272X	MG R	2.7kΩ 1/16W J
R430	NRSA63J-0R0X	MG R	0.0Ω 1/16W J
R431	NRSA63J-152X	MG R	1.5kΩ 1/16W J
R432	NRSA63J-101X	MG R	100Ω 1/16W J
R433	NRSA63J-681X	MG R	680Ω 1/16W J
R434	QRL029J-181	OM R	180Ω 2W J
R435	QRE121J-102Y	C R	1kΩ 1/2W J
R441	NRSA63J-0R0X	MG R	0.0Ω 1/16W J
R447	NRSA63J-104X	MG R	100kΩ 1/16W J
R448	NRSA63J-473X	MG R	47kΩ 1/16W J
R449	NRSA63J-103X	MG R	10kΩ 1/16W J
R501	NRSA63J-0R0X	MG R	0.0Ω 1/16W J
R502	NRSA63J-271X	MG R	270Ω 1/16W J
R503	QRE121J-103Y	C R	100Ω 1/2W J
R504	QRL029J-102	OM R	1kΩ 3W J
R505	QRL029J-102	OM R	1kΩ 3W J
R511	QRE121J-220Y	C R	22Ω 1/2W J
R512	QRE121J-681Y	C R	680Ω 1/2W J
R523	QRJ146J-333X	C R	33kΩ 1/4W J
R526	QRE121J-272Y	C R	2.7kΩ 1/2W J
R527	QRE121J-154Y	C R	150kΩ 1/2W J
R528	QRE121J-154Y	C R	150kΩ 1/2W J
R529	NRSA63J-331X	MG R	330Ω 1/16W J
R531	QRJ146J-391X	C R	390Ω 1/4W J
R532	NRSA63J-273X	MG R	27kΩ 1/16W J
R533	NRSA63J-123X	MG R	12kΩ 1/16W J
R534	NRSA63J-123X	MG R	12kΩ 1/16W J
Δ R535	NRVA02D-222X	MF R	2.2kΩ 1/10W D
Δ R537	NRVA02D-752X	MF R	7.5kΩ 1/10W D
R538	NRSA63J-333X	MG R	330Ω 1/16W J
R543	QRE121J-122Y	C R	1.2kΩ 1/2W J
R544	QRE121J-392Y	C R	3.9kΩ 1/2W J
R545	QRE121J-822Y	C R	8.2kΩ 1/2W J
R546	NRSA63J-331X	MG R	330Ω 1/16W J
R547	NRSA63J-104X	MG R	100kΩ 1/16W J
R548	QRE121J-152Y	C R	1.5kΩ 1/2W J
R553	QRL029J-180	OM R	180Ω 3W J
Δ R554	QRK126J-150X	C R	15Ω 1/2W J
R555	QRX029J-3R3	MF R	3.3Ω 2W J
R601	NRSA63J-750X	MG R	75Ω 1/16W J
R602	NRSA63J-750X	MG R	75Ω 1/16W J
R603	NRSA63J-750X	MG R	75Ω 1/16W J
R613	NRSA63J-0R0X	MG R	0.0Ω 1/16W J
R610	NRSA63J-0R0X	MG R	0.0Ω 1/16W J
R611	NRSA63J-0R0X	MG R	0.0Ω 1/16W J
R621	NRSA63J-682X	MG R	6.8kΩ 1/16W J
R622	NRSA63J-681X	MG R	680Ω 1/16W J
R623	NRSA63J-682X	MG R	6.8kΩ 1/16W J
R624	NRSA63J-681X	MG R	680Ω 1/16W J
R626	NRSA63J-223X	MG R	22kΩ 1/16W J
R627	NRSA63J-223X	MG R	22kΩ 1/16W J
R631	NRSA63J-333X	MG R	330Ω 1/16W J
R632	NRSA63J-223X	MG R	22kΩ 1/16W J
R638	NRSA63J-0R0X	MG R	0.0Ω 1/16W J
R639	NRSA63J-0R0X	MG R	0.0Ω 1/16W J
R651	NRSA63J-0R0X	MG R	0.0Ω 1/16W J
R652	NRSA63J-0R0X	MG R	0.0Ω 1/16W J
R653	NRSA63J-0R0X	MG R	0.0Ω 1/16W J
R700	NRSA63J-102X	MG R	1kΩ 1/16W J
R701	NRSA63J-103X	MG R	10kΩ 1/16W J
R702	NRSA63J-102X	MG R	1kΩ 1/16W J
R704	NRSA63J-472X	MG R	4.7kΩ 1/16W J
R705	NRSA63J-472X	MG R	4.7kΩ 1/16W J
R706	NRSA63J-472X	MG R	4.7kΩ 1/16W J
R707	NRSA63J-103X	MG R	10kΩ 1/16W J
R708	NRSA63J-101X	MG R	100Ω 1/16W J
R709	NRSA63J-101X	MG R	100Ω 1/16W J
R715	NRSA63J-103X	MG R	10kΩ 1/16W J
R718	NRSA63J-223X	MG R	22kΩ 1/16W J
R721	NRSA63J-102X	MG R	1kΩ 1/16W J

[AV-32330/M , AV-32S33/M]

Symbol No.	Part No.	Part Name	Description
RESISTOR			
R728	NRS463J-102X	MG R	1kΩ 1/16W J
R729	NRS463J-223X	MG R	22kΩ 1/16W J
R731	NRS463J-101X	MG R	100Ω 1/16W J
R732	NRS463J-101X	MG R	100Ω 1/16W J
R733	NRS463J-472X	MG R	4.7kΩ 1/16W J
R734	NRS463J-472X	MG R	4.7kΩ 1/16W J
R739	NRS463J-0R0X	MG R	0.0Ω 1/16W J
R740	NRS463J-103X	MG R	10kΩ 1/16W J
R764	NRS463J-221X	MG R	220Ω 1/16W J
R765	NRS463J-221X	MG R	220Ω 1/16W J
R766	NRS463J-221X	MG R	220Ω 1/16W J
R767	NRS463J-221X	MG R	220Ω 1/16W J
R769	NRS463J-682X	MG R	6.8kΩ 1/16W J
R772	NRS463J-103X	MG R	10kΩ 1/16W J
R811	NRS463J-473X	MG R	47kΩ 1/16W J
R816	NRS463J-124X	MG R	120kΩ 1/16W J
R821	NRS463J-184X	MG R	180kΩ 1/16W J
R822	NRS463J-0R0X	MG R	0.0Ω 1/16W J
R827	NRS463J-102X	MG R	1kΩ 1/16W J
R855	QRG09J-100	OM R	10Ω 3W J
△ R857	QRL09J-270	OM R	27Ω 2W J
△ R858	QRL09J-180	OM R	18Ω 2W J
△ R901	QRF074K-R47	UNF R	0.47Ω 7W K
△ R909	QRG01GJ-470	OM R	47Ω 1W J
R911	QRE121J-223Y	C R	22kΩ 1/2W J
R912	QRT029J-R22	MF R	0.22Ω 2W J
R913	QRT029J-R22	MF R	0.22Ω 2W J
R914	QRK126J-681X	C R	680Ω 1/2W J
R915	QRK129J-6R8	C R	6.8Ω 1/2W J
R917	QRK126J-332X	C R	3.3kΩ 1/2W J
R918	QRE121J-222Y	C R	2.2kΩ 1/2W J
R919	QRE121J-684Y	C R	680kΩ 1/2W J
R924	QRE121J-222Y	C R	2.2kΩ 1/2W J
R930	QRE121J-223Y	C R	22kΩ 1/2W J
R939	QRT09J-2R2	MF R	2.2Ω 3W J
R940	QRE121J-181Y	C R	180Ω 1/2W J
R941	QRL09J-183	OM R	18kΩ 2W J
R950	NRS463J-0R0X	MG R	0.0Ω 1/16W J
R951	NRS463J-473X	MG R	47kΩ 1/16W J
R952	NRS463J-102X	MG R	1kΩ 1/16W J
R953	QRE121J-820Y	C R	82Ω 1/2W J
R973	QRE121J-272Y	C R	2.7kΩ 1/2W J
R975	QRE121J-223Y	C R	22kΩ 1/2W J
R977	QRE121J-473Y	C R	47kΩ 1/2W J
R978	NRS463J-333X	MG R	33kΩ 1/16W J
R979	QRT029J-1R2	MF R	1.2Ω 2W J
R980	QRT029J-1R2	MF R	1.2Ω 2W J
△ R998	QRZ9041-275	C R	2.7MΩ 1/2W K
R999	QRE121J-121Y	C R	120Ω 1/2W J

Symbol No.	Part No.	Part Name	Description
CAPACITOR			
C001	QETN1HM-475Z	E CAP.	4.7μF 50V M
C003	QETN1HM-106Z	E CAP.	10μF 50V M
C004	QETN1CM-108Z	E CAP.	1000μF 16V M
C006	QETN1EM-476Z	E CAP.	47μF 25V M
C101	NCB31HK-103X	C CAP.	0.01μF 50V K
C102	NCB31HK-103X	C CAP.	0.01μF 50V K
C104	NCB31HK-103X	C CAP.	0.01μF 50V K
C105	NCB31HK-103X	C CAP.	0.01μF 50V K
C106	QETN1EM-476Z	E CAP.	47μF 25V M
C107	NCB31HK-103X	C CAP.	0.01μF 50V K
C113	NCB31HK-103X	C CAP.	0.01μF 50V K
C114	NCB31HK-103X	C CAP.	0.01μF 50V K
C116	QFVFLHJ-224Z	MF CAP.	0.22μF 50V J
C117	QETN1EM-476Z	E CAP.	47μF 25V M
C118	NCB31HK-103X	C CAP.	0.01μF 50V K
C119	NDC31HJ-681X	C CAP.	680pF 50V J
C120	QETN1HM-474Z	E CAP.	0.47μF 50V M
C124	NCB31HK-103X	C CAP.	0.01μF 50V K
C131	NCB31HK-103X	C CAP.	0.01μF 50V K
C161	QETN1HM-106Z	E CAP.	10μF 50V M
C163	NDC31HJ-470X	C CAP.	47pF 50V J
C164	NDC31HJ-470X	C CAP.	47pF 50V J
C165	NCB31HK-103X	C CAP.	0.01μF 50V K
C166	NCB31HK-103X	C CAP.	0.01μF 50V K
C202	QETN1HM-105Z	E CAP.	1μF 50V M

Symbol No.	Part No.	Part Name	Description
CAPACITOR			
C203	NCB31HK-152X	C CAP.	1500pF 50V K
C211	QENCLCM-106Z	E CAP.	10μF 16V M
C212	NDC31HJ-100X	C CAP.	10pF 50V J
C221	QETN1HM-106Z	E CAP.	10μF 50V M
C222	QFVFLHJ-104Z	MF CAP.	0.1μF 50V J
C223	NCB31HK-103X	C CAP.	0.01μF 50V K
C233	NDC31HJ-680X	C CAP.	68pF 50V J
C237	NCB31HK-103X	C CAP.	0.01μF 50V K
C241	NCB31HK-103X	C CAP.	0.01μF 50V K
C242	QETN1HM-225Z	E CAP.	2.2μF 50V M
C243	QETN1CM-107Z	E CAP.	100μF 16V M
C244	NCB31HK-103X	C CAP.	0.01μF 50V K
C281	QFVFLHJ-474Z	MF CAP.	0.47μF 50V J
C282	QETN1CM-107Z	E CAP.	100μF 16V M
C283	NCB31HK-103X	C CAP.	0.01μF 50V K
C284	QETN1HM-225Z	E CAP.	2.2μF 50V M
C285	NCB31HK-103X	C CAP.	0.01μF 50V K
C286	QETN1HM-106Z	E CAP.	10μF 50V M
C287	QETN1CM-107Z	E CAP.	100μF 16V M
C288	NCB31HK-103X	C CAP.	0.01μF 50V K
C352	QETN1CM-336Z	E CAP.	33μF 16V M
C354	NCB31HK-103X	C CAP.	0.01μF 50V K
C391	QETN1CM-107Z	E CAP.	100μF 16V M
C392	NCB31HK-103X	C CAP.	0.01μF 50V K
C422	QFLCZAJ-102Z	M CAP.	1000pF 100V J
C424	QETN1VM-107Z	E CAP.	100μF 35V M
C425	QETN1VM-477Z	E CAP.	470μF 35V M
C427	QETN1HM-105Z	E CAP.	1μF 50V M
C428	QETN1EM-228	E CAP.	2200μF 25V M
C431	QFLCZAK-563Z	M CAP.	0.056μF 100V K
C432	QETN1EM-476Z	E CAP.	47μF 25V M
C433	QETN1EM-476Z	E CAP.	47μF 25V M
C435	NCB21HK-183X	C CAP.	0.018μF 50V K
C440	QCS32HJ-220Z	C CAP.	22pF 500V J
C501	QCB32HK-151Z	C CAP.	150pF 500V K
C502	QCB32HK-331Z	C CAP.	330pF 500V K
C503	QEHRCM-105Z	E CAP.	1μF 160V M
C504	QEZ0203-107	E CAP.	100μF 160V M
C507	QEM61HK-475Z	E CAP.	4.7μF 50V K
C508	QEM61HK-475Z	E CAP.	4.7μF 50V K
△ C510	QFZ0196-53Z	MPP CAP.	5300pF 1.5kVH±3%
△ C510	or QFZ0200-53Z	MPP CAP.	5300pF 1.5kVH±3%
△ C513	QFZ0198-133	MPP CAP.	0.013μF 1.5kVH±3%
△ C514	QFP32GJ-183	PP CAP.	0.018μF 400V J
△ C515	QFZ0197-564	MPP CAP.	0.56μF 250V J
△ C515	or QFZ0199-564	MPP CAP.	0.56μF 250V J
C516	QCB32HK-561Z	C CAP.	560pF 500V K
C521	QETN1EM-106Z	E CAP.	10μF 250V M
C523	QEHRLVM-108Z	E CAP.	1000μF 35V M
C525	QETN1VM-107Z	E CAP.	100μF 35V M
C526	QFVZ1HJ-824Z	MF CAP.	0.82μF 50V J
C527	QFLCZAJ-103Z	M CAP.	0.01μF 100V J
C531	QCB32HK-102Z	C CAP.	1000pF 500V K
C533	QETN1HM-106Z	E CAP.	10μF 50V M
C601	QETN1EM-476Z	E CAP.	47μF 25V M
C602	QETN1EM-476Z	E CAP.	47μF 25V M
C603	QETN1EM-476Z	E CAP.	47μF 25V M
C609	QFVFLHJ-104Z	MF CAP.	0.1μF 50V J
C610	QFVFLHJ-104Z	MF CAP.	0.1μF 50V J
C611	QFVFLHJ-104Z	MF CAP.	0.1μF 50V J
C621	NCB31HK-102X	C CAP.	1000pF 50V K
C622	NCF21CZ-105X	C CAP.	1μF 16V Z
C623	NCB31HK-102X	C CAP.	1000pF 50V K
C624	NCF21CZ-105X	C CAP.	1μF 16V Z
C625	QETN1CM-107Z	E CAP.	100μF 16V M
C626	QETN1EM-108Z	E CAP.	1000μF 25V M
C627	QETN1HM-474Z	E CAP.	0.47μF 50V M
C628	QETN1EM-108Z	E CAP.	1000μF 25V M
C629	QETN1BM-108Z	E CAP.	1000μF 25V M
C636	QETN1HM-105Z	E CAP.	1μF 50V M
C637	QETN1HM-105Z	E CAP.	1μF 50V M
C700	NCB31HK-102X	C CAP.	1000pF 50V K
C701	QETN1HM-106Z	E CAP.	10μF 50V M
C702	QETN1HM-106Z	E CAP.	10μF 50V M
C703	QETN1HM-106Z	E CAP.	10μF 50V M
C704	QETN1CM-107Z	E CAP.	100μF 16V M
C705	NCB31HK-103X	C CAP.	0.01μF 50V K

[AV-32330/M , AV-32S33/M]

Symbol No.	Part No.	Part Name	Description
CAPACITOR			
C706	QETN1HM-105Z	E CAP.	1 μ F 50V M
C708	NDC31HJ-220X	C CAP.	220F 50V J
C709	NDC31HJ-220X	C CAP.	220F 50V J
C711	QETN1CM-107Z	E CAP.	100 μ F 16V M
C712	NCB31HK-103X	C CAP.	0.01 μ F 50V K
C716	QETN1HM-106Z	E CAP.	10 μ F 50V M
C728	NCB31HK-103X	C CAP.	0.01 μ F 50V K
C807	QETN1AM-477Z	E CAP.	470 μ F 10V M
C815	NCB31HK-103X	C CAP.	0.01 μ F 50V K
C853	QETN1CM-227Z	E CAP.	220 μ F 16V M
C854	QETN1CM-227Z	E CAP.	220 μ F 16V M
C856	QETN1CM-227Z	E CAP.	220 μ F 16V M
C857	QETN1CM-477Z	E CAP.	470 μ F 16V M
△ C901	QFZ9067-104	MF CAP.	0.1 μ FAC275V M
△ C902	QFZ9075-473	MPP CAP.	0.047 μ FAC275V K
△ C902	or QFZ9072-473	MF CAP.	0.047 μ FAC275V K
△ C904	QCZ9054-102	C CAP.	1000 μ FAC250V Z
△ C905	QCZ9054-102	C CAP.	1000 μ FAC250V Z
△ C906	QCZ9054-102	C CAP.	1000 μ FAC250V Z
△ C907	QEZ0169-477	E CAP.	470 μ F 200V M
△ C908	QCZ9054-102	C CAP.	1000 μ FAC250V M
△ C908	or QCZ9079-102	C CAP.	1000 μ FAC250V M
C912	QCZ0840-222	C CAP.	2200 μ F 2kV K
C913	QFLC1HJ-471Z	M CAP.	470 μ F 50V J
C914	QETN1HM-107Z	E CAP.	100 μ F 50V M
C916	NDC31HJ-331X	C CAP.	330 μ F 50V J
C917	NCB31HK-182X	C CAP.	1800 μ F 50V K
C918	NCB21HK-104X	C CAP.	0.1 μ F 50V K
C919	QFP32GJ-103	PP CAP.	0.01 μ F 400V J
C931	QEZ0203-107	E CAP.	100 μ F 160V M
C933	QETN1CM-108Z	E CAP.	1000 μ F 16V M
C934	NDC31HJ-151X	C CAP.	150 μ F 50V J
C935	QETN1EM-108Z	E CAP.	1000 μ F 25V M
C937	QCZ0840-102	C CAP.	1000 μ F 2kV K
C938	QETN1CM-477Z	E CAP.	470 μ F 16V M
C939	QCB32HK-152Z	C CAP.	1500 μ F 500V K
C941	QCB32HK-102Z	C CAP.	1000 μ F 500V K
C942	QEH1HM-105Z	E CAP.	1 μ F 50V M
C951	QETN1EM-477Z	E CAP.	470 μ F 25V M
C952	QETN1CM-227Z	E CAP.	220 μ F 16V M
C971	QETN1CM-107Z	E CAP.	100 μ F 16V M
C972	QETN1EM-476Z	E CAP.	47 μ F 25V M
C973	QETN1HM-106Z	E CAP.	10 μ F 50V M
△ C997	QCZ9052-102	C CAP.	1000 μ FAC125V M
△ C998	QCZ9074-103	C CAP.	0.01 μ FAC250V M
△ C999	QCZ9074-103	C CAP.	0.01 μ FAC250V M

Symbol No.	Part No.	Part Name	Description
TRANSF			
T111	QQR0907-001	IFT	
T501	CE42034-002	HOR DRIVE TRANS	
△ T502	QQH0121-001	FB TRANSF	
△ T921	QQS0138-001	SW TRANSF	
△ T951	QQT0355-001	POWER TRANSF	or QQT0372-001

Symbol No.	Part No.	Part Name	Description
COIL			
L001	QQL244K-560Z	COIL	56 μ H K
L101	QQL2014-R22	INDUCTOR	
L113	QQL244K-4R7Z	COIL	4.7 μ H K
L131	QQL244K-150Z	COIL	15 μ H K
L161	QQL244K-220Z	INDUCTOR	
L232	QQL244K-560Z	COIL	56 μ H K
L241	QQL244K-220Z	INDUCTOR	
L391	QQL244K-220Z	INDUCTOR	
△ L511	QQR1027-003	LINEARITY COIL	
△ L512	QQL2036-821	INDUCTOR	or QQL2027-821
△ L521	QQL2026-640	INDUCTOR	
L701	QQL244K-220Z	INDUCTOR	
L702	QQL244K-220Z	INDUCTOR	
L703	QQL244K-220Z	INDUCTOR	
L704	QQL244K-220Z	INDUCTOR	
L705	QQL244K-220Z	INDUCTOR	
L931	QQL26AK-470Z	COIL	47 μ H K
L933	QQL26AK-470Z	COIL	47 μ H K
L940	QQR0582-001Z	FERRITE BEADS	

Symbol No.	Part No.	Part Name	Description
DIODE			
D305	1SS133-T2	SI DIODE	
D306	1SS133-T2	SI DIODE	
D307	1SS133-T2	SI DIODE	
D308	1SS133-T2	SI DIODE	
D354	MTZJ3-3A-T2	Z DIODE	
D309	1SS133-T2	SI DIODE	
D310	1SS133-T2	SI DIODE	
D352	MTZJ9-1C-T2	Z DIODE	
D353	1SS133-T2	SI DIODE	
D421	1N4003-T2	SI DIODE	
D422	MTZJ75-T2	Z DIODE	
D432	1SS133-T2	SI DIODE	
D501	RH3G-F1	SI DIODE	
△ D502	RU3AM-LFC4	SI DIODE	
D521	RH1S-T3	SI DIODE	
D523	RGP10J-5025-T3	SI DIODE	
D525	1SS81-T5	SI DIODE	
D526	1SS81-T5	SI DIODE	
D527	1SR124-400A-T2	SI DIODE	
D529	MTZJ5-1C-T2	Z DIODE	
△ D531	MA4068N/Z1/-T2	Z DIODE	
D535	1SS133-T2	SI DIODE	
D537	1SR35-400A-T2	SI DIODE	
D601	MTZJ9-1C-T2	Z DIODE	
D602	MTZJ9-1C-T2	Z DIODE	
D603	MTZJ9-1C-T2	Z DIODE	
D700	MTZJ5-6B-T2	Z DIODE	
D701	1SS133-T2	SI DIODE	
D703	MTZJ5-6B-T2	Z DIODE	
D704	MTZJ5-6B-T2	Z DIODE	
D705	1SS133-T2	SI DIODE	
D706	MTZJ5-6B-T2	Z DIODE	
D707	MTZJ5-6B-T2	Z DIODE	
D708	MTZJ5-6B-T2	Z DIODE	
D709	MTZJ5-6B-T2	Z DIODE	
D723	MTZJ5-6B-T2	Z DIODE	
△ D901	GS1B60-S1	BRIDGE DIODE	
D910	MA700A-T2	SB DIODE	
△ D911	RGP10J-5025-T3	SI DIODE	
△ D912	RGP10J-5025-T3	SI DIODE	
△ D913	RGP10J-5025-T3	SI DIODE	
D914	1SS133-T2	SI DIODE	
D915	SARS01-T2	SI DIODE	
D917	MTZJ30A-T2	Z DIODE	
D918	MTZJ5-1C-T2	Z DIODE	
D920	1SS133-T2	SI DIODE	
D931	RU30A-F1	SI DIODE	
D933	RU3Y-LFC4	SI DIODE	
D935	RU3Y-LFC4	SI DIODE	
D941	MTZJ33A-T2	Z DIODE	
D945	MTZJ9-1B-T2	Z DIODE	
D952	1SS133-T2	SI DIODE	
D953	1SS133-T2	SI DIODE	
D954	1N4002G-T2	SI DIODE	
D955	1N4002G-T2	SI DIODE	
D956	1N4002G-T2	SI DIODE	
D957	1N4002G-T2	SI DIODE	
D972	MTZJ15C-T2	Z DIODE	
D973	1SS133-T2	SI DIODE	

Symbol No.	Part No.	Part Name	Description
TRANSISTOR			
Q001	UN2212-X	DIGI TRANSISTOR	
Q101	2SC3083/L-P/-T	TRANSISTOR	
Q131	2SB709A/QR/-X	TRANSISTOR	
Q161	2SD601A/QR/-X	TRANSISTOR	
Q211	2SD601A/QR/-X	TRANSISTOR	
Q232	2SD601A/QR/-X	TRANSISTOR	
Q233	2SD601A/QR/-X	TRANSISTOR	
Q352	2SD601A/QR/-X	TRANSISTOR	
Q431	UN2212-X	DIGI TRANSISTOR	
Q501	2SC4212/Z1/	TRANSISTOR	
△ Q511	2SD2645-YD	POWER TRANSISTO	H. OUT
Q531	2SC2785/JH/-T	SI TRANSISTOR	
Q532	2SB709A/QR/-X	TRANSISTOR	
Q541	2SB709A/QR/-X	TRANSISTOR	
Q542	2SB709A/QR/-X	TRANSISTOR	
Q543	2SD1408/OY/-LB	POW TRANSISTOR	
Q622	2SD601A/QR/-X	TRANSISTOR	
Q623	UN2212-X	DIGI TRANSISTOR	
Q701	2SB709A/QR/-X	TRANSISTOR	
Q951	2SD1383K/AB/-X	TRANSISTOR	
Q971	2SA1208/ST/Z1-T	TRANSISTOR	

[AV-32330/M , AV-32S33/M]

Symbol No.	Part No.	Part Name	Description
IC			
IC101	M52342SP	IC	
IC201	TH8812CSBNG3U68	IC	
△ IC421	LA7841	IC	
△ IC621	LA4485	IC	
IC702	AT24C08-32D503	IC	(SERVICE)
IC703	S-80840ANY-T	IC	
IC704	AN78L05-T	IC	
IC852	AN7809F	IC	
IC852	or BA17809T	IC	or BA17809T
IC853	AN7805F	IC	
IC853	or BA17805T	IC	or BA17805T
△ IC911	STR-G6624/F8	IC	
△ IC921	SE135N	IC	
OTHERS			
CF001	QAX0349-001	C TRAP	
CF131	QAX0639-001Z	C TRAP	
CF161	QAX0642-001Z	C FILTER	
CN001	QGB1505J1-35	B TO B CONNE	
CN002	QGB1505J1-25	B TO B CONNE	
CN004	QGA2501C5-05Z	W TO B CONNE	
CN005	QGA2501C5-04Z	W TO B CONNE	
CN007	QGA2501C5-07Z	W TO B CONNE	
△ CN0PW	QMP0390-200-JS	POWER CORD	or QMPD200-200-JC
△ CP932	ICP-N70-T	C PROTECTOR	
△ CP936	ICP-N70-T	C PROTECTOR	
△ F901	QMF0007-5R0J1	FUSE	or QMF51U1-5R0-J8
△ F905	QMF2034-5R0Z-J1	FUSE	5.0A
△ FC901	CEM002-001Z	FUSE CLIP	
FC902	CEM002-001Z	FUSE CLIP	
△ FR525	QRZ9017-4R7	F R	4.7Ω 1/4W J
△ FR527	QRZ9011-470	F R	47Ω 1/2W J
J601	QNN0349-002	PIN JACK	
K401	QQR0621-002Z	FERRITE BEADS	
K912	QQR0582-001Z	FERRITE BEADS	
K916	QQR0582-001Z	FERRITE BEADS	
K917	QQR0582-001Z	FERRITE BEADS	
K918	QQR0582-001Z	FERRITE BEADS	
K931	QQR0582-001Z	FERRITE BEADS	
K932	QQR0582-001Z	FERRITE BEADS	
K933	QQR0621-002Z	FERRITE BEADS	
K935	QQR0582-001Z	FERRITE BEADS	
LC601	QQR1199-001	EMI FILTER	
LC602	QQR1199-001	EMI FILTER	
LC603	QQR1199-001	EMI FILTER	
△ LF901	QQR1085-003	LINE FILTER	or QQR0527-003
△ PC921	TLP421F/D4-GRV	IC (PHOTO COUPLE	
△ RY951	QSK0086-001	RELAY	
△ RY951	or QSK0085-001	RELAY	
△ RY951	or QSK0130-001	RELAY	
S421	QSL4A13-C02	LEVER SWITCH	V. CENTER SW
SF101	QAX0723-001	SAW FILTER	
△ TH901	QAD0132-3R0	P THERMISTOR	
△ TU001	QAU0274-001	TUNER	
△ VA901	ERZV10V621CS	ZNR	
X701	QAX0717-001Z	CRYSTAL	

CRT SOCKET P.W. BOARD ASS'Y (SGE-3006A-M2)

Refer to PARTS LIST in page 43 for this P.W. board

AV SELECTOR P.W. BOARD ASS'Y (SGE-5002A-M2)

Refer to PARTS LIST in page 45 for this P.W. board

FRONT AV IN P.W. BOARD ASS'Y (SGE-6002A-M2)

Refer to PARTS LIST in page 46 for this P.W. board

FRONT CONTROL P.W. BOARD ASS'Y (SGE-7002A-M2)

Refer to PARTS LIST in page 46 for this P.W. board

[AV-32330/R, AV-32S33/R]

PRINTED WIRING BOARD PARTS LIST

MAIN P.W. BOARD ASS'Y (SGE-1043A-M2)

Symbol No.	Part No.	Part Name	Description
RESISTOR			
R002	NRSA63J-0R0X	MG R	0.0Ω 1/16W J
R003	NRSA63J-101X	MG R	100Ω 1/16W J
R004	NRSA63J-101X	MG R	100Ω 1/16W J
R005	NRSA63J-0R0X	MG R	0.0Ω 1/16W J
R008	NRSA63J-820X	MG R	82Ω 1/16W J
R009	NRSA63J-682X	MG R	6.8kΩ 1/16W J
R101	NRSA63J-562X	MG R	5.6kΩ 1/16W J
R102	NRSA63J-182X	MG R	1.8kΩ 1/16W J
R103	QRE121J-101Y	C R	100Ω 1/2W J
R104	NRSA63J-180X	MG R	18Ω 1/16W J
R105	NRSA63J-270X	MG R	27Ω 1/16W J
R111	NRSA63J-394X	MG R	390kΩ 1/16W J
R112	NRSA63J-334X	MG R	330kΩ 1/16W J
R113	NRSA63J-101X	MG R	100Ω 1/16W J
R115	NRSA63J-101X	MG R	100Ω 1/16W J
R116	NRSA63J-680X	MG R	68Ω 1/16W J
R117	NRSA63J-273X	MG R	27kΩ 1/16W J
R118	NRSA63J-223X	MG R	22kΩ 1/16W J
R131	NRSA63J-102X	MG R	1kΩ 1/16W J
R132	NRSA63J-331X	MG R	330Ω 1/16W J
R133	NRSA63J-821X	MG R	820Ω 1/16W J
R134	NRSA63J-561X	MG R	560Ω 1/16W J
R135	NRSA63J-102X	MG R	1kΩ 1/16W J
R161	NRSA63J-332X	MG R	3.3kΩ 1/16W J
R162	NRSA63J-0R0X	MG R	0.0Ω 1/16W J
R163	NRSA63J-223X	MG R	22kΩ 1/16W J
R164	NRSA63J-102X	MG R	1kΩ 1/16W J
R165	NRSA63J-223X	MG R	22kΩ 1/16W J
R166	NRSA63J-103X	MG R	10kΩ 1/16W J
R167	NRSA63J-102X	MG R	1kΩ 1/16W J
R168	NRSA63J-101X	MG R	100Ω 1/16W J
R169	NRSA63J-561X	MG R	560Ω 1/16W J
R171	NRSA63J-103X	MG R	10kΩ 1/16W J
R201	NRSA63J-223X	MG R	22kΩ 1/16W J
R212	NRSA63J-272X	MG R	2.7kΩ 1/16W J
R215	NRSA63J-562X	MG R	5.6kΩ 1/16W J
R216	NRSA63J-562X	MG R	5.6kΩ 1/16W J
R217	NRSA63J-102X	MG R	1kΩ 1/16W J
R222	NRSA63J-0R0X	MG R	0.0Ω 1/16W J
R227	NRSA63J-104X	MG R	100kΩ 1/16W J
R231	NRSA63J-182X	MG R	1.8kΩ 1/16W J
R237	NRSA63J-392X	MG R	3.9kΩ 1/16W J
R238	NRSA63J-473X	MG R	47kΩ 1/16W J
R241	NRSA63J-332X	MG R	3.3kΩ 1/16W J
R243	NRSA63J-152X	MG R	1.5kΩ 1/16W J
R281	NRSA63J-182X	MG R	1.8kΩ 1/16W J
R282	NRSA63J-392X	MG R	3.9kΩ 1/16W J
R283	NRSA63J-681X	MG R	680Ω 1/16W J
R286	NRSA63J-472X	MG R	4.7kΩ 1/16W J
R287	NRSA63J-101X	MG R	100Ω 1/16W J
R288	NRSA63J-471X	MG R	470Ω 1/16W J
R289	NRSA63J-154X	MG R	150kΩ 1/16W J
R290	NRSA63J-561X	MG R	560Ω 1/16W J
R292	NRSA63J-124X	MG R	120kΩ 1/16W J
R293	NRSA63J-224X	MG R	220kΩ 1/16W J
R301	NRSA63J-222X	MG R	2.2kΩ 1/16W J
R302	NRSA63J-222X	MG R	2.2kΩ 1/16W J
R303	NRSA63J-222X	MG R	2.2kΩ 1/16W J
R304	NRSA63J-101X	MG R	100Ω 1/16W J
R305	NRSA63J-101X	MG R	100Ω 1/16W J
R306	NRSA63J-101X	MG R	100Ω 1/16W J
R354	NRSA63J-0R0X	MG R	0.0Ω 1/16W J
R355	NRSA63J-0R0X	MG R	0.0Ω 1/16W J
R356	NRSA63J-123X	MG R	12kΩ 1/16W J
R359	NRSA63J-103X	MG R	10kΩ 1/16W J
R360	NCB31HK-103X	C CAP	0.01μF 50V K
R421	NRSA63J-822X	MG R	8.2kΩ 1/16W J
R423	NRSA63J-393X	MG R	39kΩ 1/16W J
R424	NRSA63J-393X	MG R	39kΩ 1/16W J
R426	NRSA63J-183X	MG R	18kΩ 1/16W J
R427	QRT029J-1R5	MF R	1.5Ω 2W J

Symbol No.	Part No.	Part Name	Description
RESISTOR			
R429	NRSA63J-272X	MG R	2.7kΩ 1/16W J
R430	NRSA63J-0R0X	MG R	0.0Ω 1/16W J
R431	NRSA63J-152X	MG R	1.5kΩ 1/16W J
R432	NRSA63J-101X	MG R	100Ω 1/16W J
R433	NRSA63J-681X	MG R	680Ω 1/16W J
R434	QRL029J-181	OM R	180Ω 2W J
R435	QRE121J-102Y	C R	1kΩ 1/2W J
R441	NRSA63J-0R0X	MG R	0.0Ω 1/16W J
R447	NRSA63J-104X	MG R	100kΩ 1/16W J
R448	NRSA63J-473X	MG R	47kΩ 1/16W J
R449	NRSA63J-103X	MG R	10kΩ 1/16W J
R501	NRSA63J-0R0X	MG R	0.0Ω 1/16W J
R502	NRSA63J-271X	MG R	270Ω 1/16W J
R503	QRE121J-103Y	C R	100Ω 1/2W J
R504	QRL029J-102	OM R	1kΩ 3W J
R505	QRL029J-102	OM R	1kΩ 3W J
R511	QRE121J-220Y	C R	22Ω 1/2W J
R512	QRE121J-681Y	C R	680Ω 1/2W J
R523	QRJ146J-333X	C R	33kΩ 1/4W J
R526	QRE121J-272Y	C R	2.7kΩ 1/2W J
R527	QRE121J-154Y	C R	150kΩ 1/2W J
R528	QRE121J-154Y	C R	150kΩ 1/2W J
R529	NRSA63J-331X	MG R	330Ω 1/16W J
R531	QRJ146J-391X	C R	390Ω 1/4W J
R532	NRSA63J-273X	MG R	27kΩ 1/16W J
R533	NRSA63J-123X	MG R	12kΩ 1/16W J
R534	NRSA63J-123X	MG R	12kΩ 1/16W J
Δ R535	NRVA02D-222X	MF R	2.2kΩ 1/10W D
Δ R537	NRVA02D-752X	MF R	7.5kΩ 1/10W D
R538	NRSA63J-333X	MG R	330Ω 1/16W J
R543	QRE121J-122Y	C R	1.2kΩ 1/2W J
R544	QRE121J-392Y	C R	3.9kΩ 1/2W J
R545	QRE121J-822Y	C R	8.2kΩ 1/2W J
R546	NRSA63J-331X	MG R	330Ω 1/16W J
R547	NRSA63J-104X	MG R	100kΩ 1/16W J
R548	QRE121J-152Y	C R	1.5kΩ 1/2W J
R553	QRL029J-180	OM R	180Ω 3W J
Δ R554	QRK126J-150X	C R	15Ω 1/2W J
R555	QRX029J-3R3	MF R	3.3Ω 2W J
R601	NRSA63J-750X	MG R	75Ω 1/16W J
R602	NRSA63J-750X	MG R	75Ω 1/16W J
R603	NRSA63J-750X	MG R	75Ω 1/16W J
R613	NRSA63J-0R0X	MG R	0.0Ω 1/16W J
R610	NRSA63J-0R0X	MG R	0.0Ω 1/16W J
R611	NRSA63J-0R0X	MG R	0.0Ω 1/16W J
R621	NRSA63J-682X	MG R	6.8kΩ 1/16W J
R622	NRSA63J-681X	MG R	680Ω 1/16W J
R623	NRSA63J-682X	MG R	6.8kΩ 1/16W J
R624	NRSA63J-681X	MG R	680Ω 1/16W J
R626	NRSA63J-223X	MG R	22kΩ 1/16W J
R627	NRSA63J-223X	MG R	22kΩ 1/16W J
R631	NRSA63J-333X	MG R	330Ω 1/16W J
R632	NRSA63J-223X	MG R	22kΩ 1/16W J
R638	NRSA63J-0R0X	MG R	0.0Ω 1/16W J
R639	NRSA63J-0R0X	MG R	0.0Ω 1/16W J
R651	NRSA63J-0R0X	MG R	0.0Ω 1/16W J
R652	NRSA63J-0R0X	MG R	0.0Ω 1/16W J
R653	NRSA63J-0R0X	MG R	0.0Ω 1/16W J
R700	NRSA63J-102X	MG R	1kΩ 1/16W J
R701	NRSA63J-103X	MG R	10kΩ 1/16W J
R702	NRSA63J-102X	MG R	1kΩ 1/16W J
R704	NRSA63J-472X	MG R	4.7kΩ 1/16W J
R705	NRSA63J-472X	MG R	4.7kΩ 1/16W J
R706	NRSA63J-472X	MG R	4.7kΩ 1/16W J
R707	NRSA63J-103X	MG R	10kΩ 1/16W J
R708	NRSA63J-101X	MG R	100Ω 1/16W J
R709	NRSA63J-101X	MG R	100Ω 1/16W J
R715	NRSA63J-103X	MG R	10kΩ 1/16W J
R718	NRSA63J-223X	MG R	22kΩ 1/16W J
R721	NRSA63J-102X	MG R	1kΩ 1/16W J
R728	NRSA63J-102X	MG R	1kΩ 1/16W J

[AV-32330/R, AV-32S33/R]

△	Symbol No.	Part No.	Part Name	Description
RESISTOR				
	R729	NRS463J-223X	MG R	22kΩ 1/16W J
	R731	NRS463J-101X	MG R	100Ω 1/16W J
	R732	NRS463J-101X	MG R	100Ω 1/16W J
	R733	NRS463J-472X	MG R	4.7kΩ 1/16W J
	R734	NRS463J-472X	MG R	4.7kΩ 1/16W J
	R739	NRS463J-0R0X	MG R	0.0Ω 1/16W J
	R740	NRS463J-103X	MG R	10kΩ 1/16W J
	R764	NRS463J-221X	MG R	220Ω 1/16W J
	R765	NRS463J-221X	MG R	220Ω 1/16W J
	R766	NRS463J-221X	MG R	220Ω 1/16W J
	R767	NRS463J-221X	MG R	220Ω 1/16W J
	R769	NRS463J-682X	MG R	6.8kΩ 1/16W J
	R772	NRS463J-103X	MG R	10kΩ 1/16W J
	R811	NRS463J-473X	MG R	47kΩ 1/16W J
	R816	NRS463J-124X	MG R	120kΩ 1/16W J
	R821	NRS463J-184X	MG R	180kΩ 1/16W J
	R822	NRS463J-0R0X	MG R	0.0Ω 1/16W J
	R827	NRS463J-102X	MG R	1kΩ 1/16W J
	R855	QRG09J-100	OM R	10Ω 3W J
△	R857	QRL09J-270	OM R	27Ω 2W J
△	R858	QRL09J-180	OM R	18Ω 2W J
△	R901	QRF074K-R47	UNF R	0.47Ω 7W K
△	R909	QRG01G-470	OM R	47Ω 1W J
	R911	QRE121J-223Y	C R	22kΩ 1/2W J
	R912	QRT09J-R22	MF R	0.22Ω 2W J
	R913	QRT09J-R22	MF R	0.22Ω 2W J
	R914	QRK126J-681X	C R	680Ω 1/2W J
	R915	QRK129J-688	C R	6.8Ω 1/2W J
	R917	QRK126J-332X	C R	3.3kΩ 1/2W J
	R918	QRE121J-222Y	C R	2.2kΩ 1/2W J
	R919	QRE121J-684Y	C R	680kΩ 1/2W J
	R924	QRE121J-222Y	C R	2.2kΩ 1/2W J
	R930	QRE121J-223Y	C R	22kΩ 1/2W J
	R939	QRT09J-2R2	MF R	2.2Ω 3W J
	R940	QRE121J-181Y	C R	180Ω 1/2W J
	R941	QRL09J-183	OM R	18kΩ 2W J
	R950	NRS463J-0R0X	MG R	0.0Ω 1/16W J
	R951	NRS463J-473X	MG R	47kΩ 1/16W J
	R952	NRS463J-102X	MG R	1kΩ 1/16W J
	R953	QRE121J-820Y	C R	82Ω 1/2W J
	R973	QRE121J-272Y	C R	2.7kΩ 1/2W J
	R975	QRE121J-223Y	C R	22kΩ 1/2W J
	R977	QRE121J-473Y	C R	47kΩ 1/2W J
	R978	NRS463J-333X	MG R	33kΩ 1/16W J
	R979	QRT09J-1R2	MF R	1.2Ω 2W J
	R980	QRT09J-1R2	MF R	1.2Ω 2W J
△	R998	QRZ9041-275	C R	2.7kΩ 1/2W K
	R999	QRE121J-121Y	C R	120Ω 1/2W J

CAPACITOR

C001	QETN1HM-475Z	E CAP.	4.7μF 50V M
C003	QETN1HM-106Z	E CAP.	10μF 50V M
C004	QETN1CM-108Z	E CAP.	1000μF 16V M
C006	QETN1EM-476Z	E CAP.	47μF 25V M
C101	NCB31HK-103X	C CAP.	0.01μF 50V K
C102	NCB31HK-103X	C CAP.	0.01μF 50V K
C104	NCB31HK-103X	C CAP.	0.01μF 50V K
C105	NCB31HK-103X	C CAP.	0.01μF 50V K
C106	QETN1EM-476Z	E CAP.	47μF 25V M
C107	NCB31HK-103X	C CAP.	0.01μF 50V K
C113	NCB31HK-103X	C CAP.	0.01μF 50V K
C114	NCB31HK-103X	C CAP.	0.01μF 50V K
C116	QFV1HJ-224Z	MF CAP.	0.22μF 50V J
C117	QETN1EM-476Z	E CAP.	47μF 25V M
C118	NCB31HK-103X	C CAP.	0.01μF 50V K
C119	NDC31HJ-681X	C CAP.	680pF 50V J
C120	QETN1HM-474Z	E CAP.	0.47μF 50V M
C124	NCB31HK-103X	C CAP.	0.01μF 50V K
C131	NCB31HK-103X	C CAP.	0.01μF 50V K
C161	QETN1HM-106Z	E CAP.	10μF 50V M
C163	NDC31HJ-470X	C CAP.	47pF 50V J
C164	NDC31HJ-470X	C CAP.	47pF 50V J
C165	NCB31HK-103X	C CAP.	0.01μF 50V K
C166	NCB31HK-103X	C CAP.	0.01μF 50V K
C202	QETN1HM-105Z	E CAP.	1μF 50V M

CAPACITOR

C203	NCB31HK-152X	C CAP.	1500pF 50V K	
C211	QENCLCM-106Z	E CAP.	10μF 16V M	
C212	NDC31HJ-100X	C CAP.	10pF 50V J	
C221	QETN1HM-106Z	E CAP.	10μF 50V M	
C222	QFV1HJ-104Z	MF CAP.	0.1μF 50V J	
C223	NCB31HK-103X	C CAP.	0.01μF 50V K	
C233	NDC31HJ-680X	C CAP.	68pF 50V J	
C237	NCB31HK-103X	C CAP.	0.01μF 50V K	
C241	NCB31HK-103X	C CAP.	0.01μF 50V K	
C242	QETN1HM-225Z	E CAP.	2.2μF 50V M	
C243	QETN1CM-107Z	E CAP.	100μF 16V M	
C244	NCB31HK-103X	C CAP.	0.01μF 50V K	
C281	QFV1HJ-474Z	MF CAP.	0.47μF 50V J	
C282	QETN1CM-107Z	E CAP.	100μF 16V M	
C283	NCB31HK-103X	C CAP.	0.01μF 50V K	
C284	QETN1HM-225Z	E CAP.	2.2μF 50V M	
C285	NCB31HK-103X	C CAP.	0.01μF 50V K	
C286	QETN1HM-106Z	E CAP.	10μF 50V M	
C287	QETN1CM-107Z	E CAP.	100μF 16V M	
C288	NCB31HK-103X	C CAP.	0.01μF 50V K	
C352	QETN1CM-336Z	E CAP.	33μF 16V M	
C354	NCB31HK-103X	C CAP.	0.01μF 50V K	
C391	QETN1CM-107Z	E CAP.	100μF 16V M	
C392	NCB31HK-103X	C CAP.	0.01μF 50V K	
C422	QFLC2AJ-102Z	M CAP.	1000pF 100V J	
C424	QETN1VM-107Z	E CAP.	100μF 35V M	
C425	QETN1VM-477Z	E CAP.	470μF 35V M	
C427	QETN1HM-105Z	E CAP.	1μF 50V M	
C428	QETN1EM-228	E CAP.	2200μF 25V M	
C431	QFLC2AK-563Z	M CAP.	0.056μF 100V K	
C432	QETN1EM-476Z	E CAP.	47μF 25V M	
C433	QETN1EM-476Z	E CAP.	47μF 25V M	
C435	NCB21HK-183X	C CAP.	0.018μF 50V K	
C440	QCS32HJ-220Z	C CAP.	22pF 500V J	
C501	QCB32HK-151Z	C CAP.	150pF 500V K	
C502	QCB32HK-331Z	C CAP.	330pF 500V K	
C503	QEH2CM-105Z	E CAP.	1μF 160V M	
C504	QEZ03-107	E CAP.	100pF 160V M	
C507	QEM61HK-475Z	E CAP.	4.7μF 50V K	
C508	QEM61HK-475Z	E CAP.	4.7μF 50V K	
△	C510	QFZ0196-53Z	MPP CAP.	5300pF 1.5kVH±3%
△	C510	or QFZ0200-53Z	MPP CAP.	5300pF 1.5kVH±3%
△	C513	QFZ0198-133	MPP CAP.	0.013μF 1.5kVH±3%
△	C514	QFP32GJ-183	PP CAP.	183μF 400V J
△	C515	QFZ0197-564	MPP CAP.	0.56μF 250V J
△	C515	or QFZ0199-564	MPP CAP.	0.56μF 250V J
△	C516	QCB32HK-561Z	C CAP.	560pF 500V K
	C521	QETN1EM-106Z	E CAP.	10μF 250V M
	C523	QEH1VM-108Z	E CAP.	1000μF 35V M
	C525	QETN1VM-107Z	E CAP.	100μF 35V M
	C526	QFV21HJ-824Z	MF CAP.	0.82μF 50V J
	C527	QFLC2AJ-103Z	M CAP.	0.01μF 100V J
	C531	QCB32HK-102Z	C CAP.	1000pF 500V K
	C533	QETN1HM-106Z	E CAP.	10μF 50V M
	C601	QETN1EM-476Z	E CAP.	47μF 25V M
	C602	QETN1EM-476Z	E CAP.	47μF 25V M
	C603	QETN1EM-476Z	E CAP.	47μF 25V M
	C609	QFV1HJ-104Z	MF CAP.	0.1μF 50V J
	C610	QFV1HJ-104Z	MF CAP.	0.1μF 50V J
	C611	QFV1HJ-104Z	MF CAP.	0.1μF 50V J
	C621	NCB31HK-102X	C CAP.	1000pF 50V K
	C622	NCF21CZ-105X	C CAP.	1μF 16V Z
	C623	NCB31HK-102X	C CAP.	1000pF 50V K
	C624	NCF21CZ-105X	C CAP.	1μF 16V Z
	C625	QETN1CM-107Z	E CAP.	100μF 16V M
	C626	QETN1EM-108Z	E CAP.	1000μF 25V M
	C627	QETN1HM-474Z	E CAP.	0.47μF 50V M
	C628	QETN1EM-108Z	E CAP.	1000μF 25V M
	C629	QETN1BM-108Z	E CAP.	1000μF 25V M
	C636	QETN1HM-105Z	E CAP.	1μF 50V M
	C637	QETN1HM-105Z	E CAP.	1μF 50V M
	C700	NCB31HK-102X	C CAP.	1000pF 50V K
	C701	QETN1HM-106Z	E CAP.	10μF 50V M
	C702	QETN1HM-106Z	E CAP.	10μF 50V M
	C703	QETN1HM-106Z	E CAP.	10μF 50V M
	C704	QETN1CM-107Z	E CAP.	100μF 16V M
	C705	NCB31HK-103X	C CAP.	0.01μF 50V K

[AV-32330/R, AV-32S33/R]

Symbol No.	Part No.	Part Name	Description
CAPACITOR			
C706	QETNLHM-105Z	E CAP.	1 μ F 50V M
C708	NDC31HJ-220X	C CAP.	220F 50V J
C709	NDC31HJ-220X	C CAP.	220F 50V J
C711	QETNLCM-107Z	E CAP.	100 μ F 16V M
C712	NCB31HK-103X	C CAP.	0.01 μ F 50V K
C716	QETNLHM-106Z	E CAP.	10 μ F 50V M
C728	NCB31HK-103X	C CAP.	0.01 μ F 50V K
C807	QETNLAM-477Z	E CAP.	470 μ F 10V M
C815	NCB31HK-103X	C CAP.	0.01 μ F 50V K
C853	QETNLCM-227Z	E CAP.	220 μ F 16V M
C854	QETNLCM-227Z	E CAP.	220 μ F 16V M
C856	QETNLCM-227Z	E CAP.	220 μ F 16V M
C857	QETNLCM-477Z	E CAP.	470 μ F 16V M
△ C901	QFZ9067-104	MF CAP.	0.1 μ FAC275V M
△ C902	QFZ9075-473	MPP CAP.	0.047 μ FAC275V K
△ C902	or QFZ9072-473	MF CAP.	0.047 μ FAC275V K
△ C904	QCZ9054-102	C CAP.	1000 μ FAC250V Z
△ C905	QCZ9054-102	C CAP.	1000 μ FAC250V Z
△ C906	QCZ9054-102	C CAP.	1000 μ FAC250V Z
△ C907	QEZ0169-477	E CAP.	470 μ F 200V M
△ C908	QCZ9054-102	C CAP.	1000 μ FAC250V M
△ C908	or QCZ9079-102	C CAP.	1000 μ FAC250V M
C912	QCZ0840-22Z	C CAP.	2200 μ F 2kV K
C913	QFLCLHJ-471Z	M CAP.	470 μ F 50V J
C914	QETNLHM-107Z	E CAP.	100 μ F 50V M
C916	NDC31HJ-331X	C CAP.	330 μ F 50V J
C917	NCB31HK-182X	C CAP.	1800 μ F 50V K
C918	NCB21HK-104X	C CAP.	0.1 μ F 50V K
C919	QFP32GJ-103	PP CAP.	0.01 μ F 400V J
C931	QEZ0203-107	E CAP.	100 μ F 160V M
C933	QETNLCM-108Z	E CAP.	1000 μ F 16V M
C934	NDC31HJ-151X	C CAP.	150 μ F 50V J
C935	QETNLEM-108Z	E CAP.	1000 μ F 25V M
C937	QCZ0840-102	C CAP.	1000 μ F 2kV K
C938	QETNLCM-477Z	E CAP.	470 μ F 16V M
C939	QCB32HK-152Z	C CAP.	1500 μ F 500V K
C941	QCB32HK-102Z	C CAP.	1000 μ F 500V K
C942	QEHRLHM-105Z	E CAP.	1 μ F 50V M
C951	QETNLEM-477Z	E CAP.	470 μ F 25V M
C952	QETNLCM-227Z	E CAP.	220 μ F 16V M
C971	QETNLCM-107Z	E CAP.	100 μ F 16V M
C972	QETNLEM-476Z	E CAP.	47 μ F 25V M
C973	QETNLHM-106Z	E CAP.	10 μ F 50V M
△ C997	QCZ9052-102	C CAP.	1000 μ FAC125V M
△ C998	QCZ9074-103	C CAP.	0.01 μ FAC250V M
△ C999	QCZ9074-103	C CAP.	0.01 μ FAC250V M

Symbol No.	Part No.	Part Name	Description
TRANSF			
T111	QQR0907-001	IFT	
T501	CE42034-002	HOR DRIVE TRANS	
△ T502	QQH0121-001	FB TRANSF	
△ T921	QOS0138-001	SW TRANSF	
△ T951	QQT0355-001	POWER TRANSF	or QQT0372-001

Symbol No.	Part No.	Part Name	Description
COIL			
L001	QQL244K-560Z	COIL	56 μ H K
L101	QQL2014-R2Z	INDUCTOR	
L113	QQL244K-4R7Z	COIL	4.7 μ H K
L131	QQL244K-150Z	COIL	15 μ H K
L161	QQL244K-220Z	INDUCTOR	
L232	QQL244K-560Z	COIL	56 μ H K
L241	QQL244K-220Z	INDUCTOR	
L391	QQL244K-220Z	INDUCTOR	
△ L511	CE41029-00A	LINEARITY COIL	
△ L512	QQL2036-821	INDUCTOR	or QQL2027-821
△ L521	QQL2026-540	INDUCTOR	
L701	QQL244K-220Z	INDUCTOR	
L702	QQL244K-220Z	INDUCTOR	
L703	QQL244K-220Z	INDUCTOR	
L704	QQL244K-220Z	INDUCTOR	
L705	QQL244K-220Z	INDUCTOR	
L931	QQL26AK-470Z	COIL	47 μ H K
L933	QQL26AK-470Z	COIL	47 μ H K
L940	QQR0582-001Z	FERRITE BEADS	

Symbol No.	Part No.	Part Name	Description
DIODE			
D305	1SS133-T2	SI DIODE	
D306	1SS133-T2	SI DIODE	
D307	1SS133-T2	SI DIODE	
D308	1SS133-T2	SI DIODE	
D309	1SS133-T2	SI DIODE	
D310	1SS133-T2	SI DIODE	
D352	MTZJ9.1C-T2	Z DIODE	
D353	1SS133-T2	SI DIODE	
D354	MTZJ9.3A-T2	Z DIODE	
D421	1N4003-T2	SI DIODE	
D422	MTZJ75-T2	Z DIODE	
D432	1SS133-T2	SI DIODE	
D501	RH3G-F1	SI DIODE	
△ D502	RU3AM-LFC4	SI DIODE	
D521	RH1S-T3	SI DIODE	
D523	RGP10J-5025-T3	SI DIODE	
D525	1SS81-T5	SI DIODE	
D526	1SS81-T5	SI DIODE	
D527	1SR124-400A-T2	SI DIODE	
D529	MTZJ5.1C-T2	Z DIODE	
△ D531	MA4068N/Z1/-T2	Z DIODE	
D535	1SS133-T2	SI DIODE	
D537	1SR35-400A-T2	SI DIODE	
D601	MTZJ9.1C-T2	Z DIODE	
D602	MTZJ9.1C-T2	Z DIODE	
D603	MTZJ9.1C-T2	Z DIODE	
D700	MTZJ5.6B-T2	Z DIODE	
D701	1SS133-T2	SI DIODE	
D703	MTZJ5.6B-T2	Z DIODE	
D704	MTZJ5.6B-T2	Z DIODE	
D705	1SS133-T2	SI DIODE	
D706	MTZJ5.6B-T2	Z DIODE	
D707	MTZJ5.6B-T2	Z DIODE	
D708	MTZJ5.6B-T2	Z DIODE	
D709	MTZJ5.6B-T2	Z DIODE	
D723	MTZJ5.6B-T2	Z DIODE	
△ D901	G51B60-S1	BRIDGE DIODE	
D910	MA700A-T2	SB DIODE	
△ D911	RGP10J-5025-T3	SI DIODE	
△ D912	RGP10J-5025-T3	SI DIODE	
△ D913	RGP10J-5025-T3	SI DIODE	
D914	1SS133-T2	SI DIODE	
D915	SARS01-T2	SI DIODE	
D917	MTZJ30A-T2	Z DIODE	
D918	MTZJ5.1C-T2	Z DIODE	
D920	1SS133-T2	SI DIODE	
D931	RU30A-F1	SI DIODE	
D933	RU3Y-LFC4	SI DIODE	
D935	RU3Y-LFC4	SI DIODE	
D941	MTZJ33A-T2	Z DIODE	
D945	MTZJ9.1B-T2	Z DIODE	
D952	1SS133-T2	SI DIODE	
D953	1SS133-T2	SI DIODE	
D954	1N4002G-T2	SI DIODE	
D955	1N4002G-T2	SI DIODE	
D956	1N4002G-T2	SI DIODE	
D957	1N4002G-T2	SI DIODE	
D972	MTZJ15C-T2	Z DIODE	
D973	1SS133-T2	SI DIODE	

Symbol No.	Part No.	Part Name	Description
TRANSISTOR			
Q001	UN2212-X	DIGI TRANSISTOR	
Q101	2SC5083/L-P/-T	TRANSISTOR	
Q131	2SB709A/QR/-X	TRANSISTOR	
Q161	2SD601A/QR/-X	TRANSISTOR	
Q211	2SD601A/QR/-X	TRANSISTOR	
Q232	2SD601A/QR/-X	TRANSISTOR	
Q233	2SD601A/QR/-X	TRANSISTOR	
Q352	2SD601A/QR/-X	TRANSISTOR	
Q431	UN2212-X	DIGI TRANSISTOR	
Q501	2SC4212/Z1/	TRANSISTOR	
△ Q511	2SD2645-YD	POWER TRANSISTOR	H. OUT
Q531	2SC2785/JH/-T	SI TRANSISTOR	
Q532	2SB709A/QR/-X	TRANSISTOR	
Q541	2SB709A/QR/-X	TRANSISTOR	
Q542	2SB709A/QR/-X	TRANSISTOR	
Q543	2SD1408/OV/-LB	POW TRANSISTOR	
Q622	2SD601A/QR/-X	TRANSISTOR	
Q623	UN2212-X	DIGI TRANSISTOR	
Q701	2SB709A/QR/-X	TRANSISTOR	
Q951	2SD1383K/AB/-X	TRANSISTOR	
Q971	2SA1208/ST/Z1-T	TRANSISTOR	

[AV-32330/R, AV-32S33/R]

Symbol No.	Part No.	Part Name	Description
IC			
IC101	M52342SP	IC	
IC201	TH8812CSBNG3U68	IC	
△ IC421	LA7841	IC	
△ IC621	LA4485	IC	
IC702	AT24C08-32D503	IC	(SERVICE)
IC703	S-80840ANY-T	IC	
IC704	AN78L05-T	IC	
IC852	AN7809F	IC	
IC852	or BA17809T	IC	or BA17809T
IC853	AN7805F	IC	
IC853	or BA17805T	IC	or BA17805T
△ IC911	STR-G6624/F8	IC	
△ IC921	SE135N	IC	
OTHERS			
CF001	QAX0349-001	C TRAP	
CF131	QAX0639-001Z	C TRAP	
CF161	QAX0642-001Z	C FILTER	
CN001	QGB1505J1-35	B TO B CONNE	
CN002	QGB1505J1-25	B TO B CONNE	
CN004	QGA2501C5-05Z	W TO B CONNE	
CN005	QGA2501C5-04Z	W TO B CONNE	
CN007	QGA2501C5-07Z	W TO B CONNE	
△ CN0PW	QMP0390-200-JS	POWER CORD	or QMPD200-200-JC
△ CP932	ICP-N70-T	C PROTECTOR	
△ CP936	ICP-N70-T	C PROTECTOR	
△ F901	QMF0007-5R0J1	FUSE	or QMF51U1-5R0-J8
△ F905	QMF2034-5R0Z-J1	FUSE	5.0A
FC901	CEM002-001Z	FUSE CLIP	
FC902	CEM002-001Z	FUSE CLIP	
△ FR525	QRZ9017-4R7	F R	4.7Ω 1/4W J
△ FR527	QRZ9011-470	F R	47Ω 1/2W J
J601	QNN0349-002	PIN JACK	
K401	QQR0621-002Z	FERRITE BEADS	
K912	QQR0582-001Z	FERRITE BEADS	
K916	QQR0582-001Z	FERRITE BEADS	
K917	QQR0582-001Z	FERRITE BEADS	
K918	QQR0582-001Z	FERRITE BEADS	
K931	QQR0582-001Z	FERRITE BEADS	
K932	QQR0582-001Z	FERRITE BEADS	
K933	QQR0621-002Z	FERRITE BEADS	
K935	QQR0582-001Z	FERRITE BEADS	
LC601	QQR1199-001	EMI FILTER	
LC602	QQR1199-001	EMI FILTER	
LC603	QQR1199-001	EMI FILTER	
△ LF901	QQR1085-003	LINE FILTER	or QQR0527-003
△ PC921	TLP421F/D4-GR	IC (PHOTO COUPLE	
△ RY951	QSK0086-001	RELAY	
△ RY951	or QSK0085-001	RELAY	
△ RY951	or QSK0130-001	RELAY	
S421	QSL4A13-C02	LEVER SWITCH	V. CENTER SW
SF101	QAX0723-001	SAW FILTER	
△ TH901	QAD0132-3R0	P THERMISTOR	
△ TU001	QAU0274-001	TUNER	
△ VA901	ERZV10V621CS	ZNR	
X701	QAX0717-001Z	CRYSTAL	

CRT SOCKET P.W. BOARD ASS'Y (SGE-3007A-M2)

Refer to PARTS LIST in page 50 for this P.W. board

AV SELECTOR P.W. BOARD ASS'Y (SGE-5002A-M2)

Refer to PARTS LIST in page 45 for this P.W. board

FRONT AV IN P.W. BOARD ASS'Y (SGE-6002A-M2)

Refer to PARTS LIST in page 46 for this P.W. board

FRONT CONTROL P.W. BOARD ASS'Y (SGE-7002A-M2)

Refer to PARTS LIST in page 46 for this P.W. board

[AV-32330/Y, AV-32S33/Y]

PRINTED WIRING BOARD PARTS LIST

MAIN P.W. BOARD ASS'Y (SGE-1012A-M2)

Symbol No.	Part No.	Part Name	Description
RESISTOR			
R002	NRSA63J-0R0X	MG R	0.0Ω 1/16W J
R003	NRSA63J-101X	MG R	100Ω 1/16W J
R004	NRSA63J-101X	MG R	100Ω 1/16W J
R005	NRSA63J-0R0X	MG R	0.0Ω 1/16W J
R008	NRSA63J-820X	MG R	82Ω 1/16W J
R009	NRSA63J-682X	MG R	6.8kΩ 1/16W J
R101	NRSA63J-562X	MG R	5.6kΩ 1/16W J
R102	NRSA63J-182X	MG R	1.8kΩ 1/16W J
R103	QRE121J-101Y	C R	100Ω 1/2W J
R104	NRSA63J-180X	MG R	18Ω 1/16W J
R105	NRSA63J-270X	MG R	27Ω 1/16W J
R111	NRSA63J-394X	MG R	390kΩ 1/16W J
R112	NRSA63J-334X	MG R	330kΩ 1/16W J
R113	NRSA63J-101X	MG R	100Ω 1/16W J
R115	NRSA63J-101X	MG R	100Ω 1/16W J
R116	NRSA63J-680X	MG R	68Ω 1/16W J
R117	NRSA63J-273X	MG R	27kΩ 1/16W J
R118	NRSA63J-223X	MG R	22kΩ 1/16W J
R131	NRSA63J-102X	MG R	1kΩ 1/16W J
R132	NRSA63J-331X	MG R	330Ω 1/16W J
R133	NRSA63J-821X	MG R	820Ω 1/16W J
R134	NRSA63J-561X	MG R	560Ω 1/16W J
R135	NRSA63J-102X	MG R	1kΩ 1/16W J
R161	NRSA63J-332X	MG R	3.3kΩ 1/16W J
R162	NRSA63J-0R0X	MG R	0.0Ω 1/16W J
R163	NRSA63J-223X	MG R	22kΩ 1/16W J
R164	NRSA63J-102X	MG R	1kΩ 1/16W J
R165	NRSA63J-223X	MG R	22kΩ 1/16W J
R166	NRSA63J-103X	MG R	10kΩ 1/16W J
R167	NRSA63J-102X	MG R	1kΩ 1/16W J
R168	NRSA63J-101X	MG R	100Ω 1/16W J
R169	NRSA63J-561X	MG R	560Ω 1/16W J
R171	NRSA63J-103X	MG R	10kΩ 1/16W J
R201	NRSA63J-223X	MG R	22kΩ 1/16W J
R212	NRSA63J-272X	MG R	2.7kΩ 1/16W J
R215	NRSA63J-562X	MG R	5.6kΩ 1/16W J
R216	NRSA63J-562X	MG R	5.6kΩ 1/16W J
R217	NRSA63J-102X	MG R	1kΩ 1/16W J
R222	NRSA63J-0R0X	MG R	0.0Ω 1/16W J
R227	NRSA63J-104X	MG R	100kΩ 1/16W J
R231	NRSA63J-182X	MG R	1.8kΩ 1/16W J
R237	NRSA63J-392X	MG R	3.9kΩ 1/16W J
R238	NRSA63J-473X	MG R	47kΩ 1/16W J
R241	NRSA63J-332X	MG R	3.3kΩ 1/16W J
R243	NRSA63J-152X	MG R	1.5kΩ 1/16W J
R281	NRSA63J-182X	MG R	1.8kΩ 1/16W J
R282	NRSA63J-392X	MG R	3.9kΩ 1/16W J
R283	NRSA63J-681X	MG R	680Ω 1/16W J
R286	NRSA63J-472X	MG R	4.7kΩ 1/16W J
R287	NRSA63J-101X	MG R	100Ω 1/16W J
R288	NRSA63J-471X	MG R	470Ω 1/16W J
R289	NRSA63J-154X	MG R	150kΩ 1/16W J
R290	NRSA63J-561X	MG R	560Ω 1/16W J
R292	NRSA63J-124X	MG R	120kΩ 1/16W J
R293	NRSA63J-224X	MG R	220kΩ 1/16W J
R301	NRSA63J-222X	MG R	2.2kΩ 1/16W J
R302	NRSA63J-222X	MG R	2.2kΩ 1/16W J
R303	NRSA63J-222X	MG R	2.2kΩ 1/16W J
R304	NRSA63J-101X	MG R	100Ω 1/16W J
R305	NRSA63J-101X	MG R	100Ω 1/16W J
R306	NRSA63J-101X	MG R	100Ω 1/16W J
R354	NRSA63J-0R0X	MG R	0.0Ω 1/16W J
R355	NRSA63J-0R0X	MG R	0.0Ω 1/16W J
R356	NRSA63J-123X	MG R	12kΩ 1/16W J
R359	NRSA63J-103X	MG R	10kΩ 1/16W J
R360	NCB31HK-103X	C CAP	0.01μF 50V K
R421	NRSA63J-822X	MG R	8.2kΩ 1/16W J
R423	NRSA63J-393X	MG R	39kΩ 1/16W J
R424	NRSA63J-393X	MG R	39kΩ 1/16W J
R426	NRSA63J-183X	MG R	18kΩ 1/16W J
R427	QRT029J-1R5	MF R	1.5Ω 2W J

Symbol No.	Part No.	Part Name	Description
RESISTOR			
R429	NRSA63J-272X	MG R	2.7kΩ 1/16W J
R430	NRSA63J-0R0X	MG R	0.0Ω 1/16W J
R431	NRSA63J-152X	MG R	1.5kΩ 1/16W J
R432	NRSA63J-101X	MG R	100Ω 1/16W J
R433	NRSA63J-681X	MG R	680Ω 1/16W J
R434	QRL029J-181	OM R	180Ω 2W J
R435	QRE121J-102Y	C R	1kΩ 1/2W J
R441	NRSA63J-0R0X	MG R	0.0Ω 1/16W J
R447	NRSA63J-104X	MG R	100kΩ 1/16W J
R448	NRSA63J-473X	MG R	47kΩ 1/16W J
R449	NRSA63J-103X	MG R	10kΩ 1/16W J
R501	NRSA63J-0R0X	MG R	0.0Ω 1/16W J
R502	NRSA63J-271X	MG R	270Ω 1/16W J
R503	QRE121J-103Y	C R	10kΩ 1/2W J
R504	QRL029J-102	OM R	1kΩ 3W J
R505	QRL029J-102	OM R	1kΩ 3W J
R511	QRE121J-220Y	C R	22Ω 1/2W J
R512	QRE121J-681Y	C R	680Ω 1/2W J
R523	QRJ146J-333X	C R	33kΩ 1/4W J
R526	QRE121J-272Y	C R	2.7kΩ 1/2W J
R527	QRE121J-154Y	C R	150kΩ 1/2W J
R528	QRE121J-154Y	C R	150kΩ 1/2W J
R529	NRSA63J-331X	MG R	330Ω 1/16W J
R531	QRJ146J-391X	C R	390Ω 1/4W J
R532	NRSA63J-273X	MG R	27kΩ 1/16W J
R533	NRSA63J-123X	MG R	12kΩ 1/16W J
R534	NRSA63J-123X	MG R	12kΩ 1/16W J
Δ R535	NRVA02D-222X	MF R	2.2kΩ 1/10W D
Δ R537	NRVA02D-752X	MF R	7.5kΩ 1/10W D
R538	NRSA63J-333X	MG R	330Ω 1/16W J
R543	QRE121J-122Y	C R	1.2kΩ 1/2W J
R544	QRE121J-392Y	C R	3.9kΩ 1/2W J
R545	QRE121J-822Y	C R	8.2kΩ 1/2W J
R546	NRSA63J-331X	MG R	330Ω 1/16W J
R547	NRSA63J-104X	MG R	100kΩ 1/16W J
R548	QRE121J-152Y	C R	1.5kΩ 1/2W J
R553	QRL029J-180	OM R	180Ω 3W J
Δ R554	QRK126J-150X	C R	15Ω 1/2W J
R555	QRX029J-3R3	MF R	3.3Ω 2W J
R601	NRSA63J-750X	MG R	75Ω 1/16W J
R602	NRSA63J-750X	MG R	75Ω 1/16W J
R603	NRSA63J-750X	MG R	75Ω 1/16W J
R613	NRSA63J-0R0X	MG R	0.0Ω 1/16W J
R610	NRSA63J-0R0X	MG R	0.0Ω 1/16W J
R611	NRSA63J-0R0X	MG R	0.0Ω 1/16W J
R621	NRSA63J-682X	MG R	6.8kΩ 1/16W J
R622	NRSA63J-681X	MG R	680Ω 1/16W J
R623	NRSA63J-682X	MG R	6.8kΩ 1/16W J
R624	NRSA63J-681X	MG R	680Ω 1/16W J
R626	NRSA63J-223X	MG R	22kΩ 1/16W J
R627	NRSA63J-223X	MG R	22kΩ 1/16W J
R631	NRSA63J-333X	MG R	330Ω 1/16W J
R632	NRSA63J-223X	MG R	22kΩ 1/16W J
R638	NRSA63J-0R0X	MG R	0.0Ω 1/16W J
R639	NRSA63J-0R0X	MG R	0.0Ω 1/16W J
R651	NRSA63J-0R0X	MG R	0.0Ω 1/16W J
R652	NRSA63J-0R0X	MG R	0.0Ω 1/16W J
R653	NRSA63J-0R0X	MG R	0.0Ω 1/16W J
R700	NRSA63J-102X	MG R	1kΩ 1/16W J
R701	NRSA63J-103X	MG R	10kΩ 1/16W J
R702	NRSA63J-102X	MG R	1kΩ 1/16W J
R704	NRSA63J-472X	MG R	4.7kΩ 1/16W J
R705	NRSA63J-472X	MG R	4.7kΩ 1/16W J
R706	NRSA63J-472X	MG R	4.7kΩ 1/16W J
R707	NRSA63J-103X	MG R	10kΩ 1/16W J
R708	NRSA63J-101X	MG R	100Ω 1/16W J
R709	NRSA63J-101X	MG R	100Ω 1/16W J
R715	NRSA63J-103X	MG R	10kΩ 1/16W J
R718	NRSA63J-223X	MG R	22kΩ 1/16W J
R721	NRSA63J-102X	MG R	1kΩ 1/16W J
R728	NRSA63J-102X	MG R	1kΩ 1/16W J

[AV-32330/Y, AV-32S33/Y]

Symbol No.	Part No.	Part Name	Description
RESISTOR			
R729	NRS463J-223X	MG R	22kΩ 1/16W J
R731	NRS463J-101X	MG R	100Ω 1/16W J
R732	NRS463J-101X	MG R	100Ω 1/16W J
R733	NRS463J-472X	MG R	4.7kΩ 1/16W J
R734	NRS463J-472X	MG R	4.7kΩ 1/16W J
R739	NRS463J-0R0X	MG R	0.0Ω 1/16W J
R740	NRS463J-103X	MG R	10kΩ 1/16W J
R764	NRS463J-221X	MG R	220Ω 1/16W J
R765	NRS463J-221X	MG R	220Ω 1/16W J
R766	NRS463J-221X	MG R	220Ω 1/16W J
R767	NRS463J-221X	MG R	220Ω 1/16W J
R769	NRS463J-682X	MG R	6.8kΩ 1/16W J
R772	NRS463J-103X	MG R	10kΩ 1/16W J
R811	NRS463J-473X	MG R	47kΩ 1/16W J
R816	NRS463J-124X	MG R	120kΩ 1/16W J
R821	NRS463J-184X	MG R	180kΩ 1/16W J
R822	NRS463J-0R0X	MG R	0.0Ω 1/16W J
R827	NRS463J-102X	MG R	1kΩ 1/16W J
R855	QRG09J-100	OM R	10Ω 3W J
R857	QRL09J-270	OM R	27Ω 2W J
R858	QRL09J-180	OM R	18Ω 2W J
R901	QRF074K-R47	UNF R	0.47Ω 7W K
R909	QRG01G-470	OM R	47Ω 1W J
R911	QRE121J-223Y	C R	22kΩ 1/2W J
R912	QRT09J-R22	MF R	0.22Ω 2W J
R913	QRT09J-R22	MF R	0.22Ω 2W J
R914	QRK126J-681X	C R	680Ω 1/2W J
R915	QRK129J-688	C R	6.8Ω 1/2W J
R917	QRK126J-332X	C R	3.3kΩ 1/2W J
R918	QRE121J-222Y	C R	2.2kΩ 1/2W J
R919	QRE121J-684Y	C R	680kΩ 1/2W J
R924	QRE121J-222Y	C R	2.2kΩ 1/2W J
R930	QRE121J-223Y	C R	22kΩ 1/2W J
R939	QRT09J-R22	MF R	2.2Ω 3W J
R940	QRE121J-181Y	C R	180Ω 1/2W J
R941	QRL09J-183	OM R	18kΩ 2W J
R950	NRS463J-0R0X	MG R	0.0Ω 1/16W J
R951	NRS463J-473X	MG R	47kΩ 1/16W J
R952	NRS463J-102X	MG R	1kΩ 1/16W J
R953	QRE121J-820Y	C R	82Ω 1/2W J
R973	QRE121J-272Y	C R	2.7kΩ 1/2W J
R975	QRE121J-223Y	C R	22kΩ 1/2W J
R977	QRE121J-473Y	C R	47kΩ 1/2W J
R978	NRS463J-333X	MG R	33kΩ 1/16W J
R979	QRT09J-1R2	MF R	1.2Ω 2W J
R980	QRT09J-1R2	MF R	1.2Ω 2W J
R998	QRZ9041-275	C R	2.7MΩ 1/2W K
R999	QRE121J-121Y	C R	120Ω 1/2W J

Symbol No.	Part No.	Part Name	Description
CAPACITOR			
C001	QETNLHM-475Z	E CAP.	4.7μF 50V M
C003	QETNLHM-106Z	E CAP.	10μF 50V M
C004	QETNLHM-108Z	E CAP.	1000μF 16V M
C006	QETNLEM-476Z	E CAP.	47μF 25V M
C101	NCB31HK-103X	C CAP.	0.01μF 50V K
C102	NCB31HK-103X	C CAP.	0.01μF 50V K
C104	NCB31HK-103X	C CAP.	0.01μF 50V K
C105	NCB31HK-103X	C CAP.	0.01μF 50V K
C106	QETNLEM-476Z	E CAP.	47μF 25V M
C107	NCB31HK-103X	C CAP.	0.01μF 50V K
C113	NCB31HK-103X	C CAP.	0.01μF 50V K
C114	NCB31HK-103X	C CAP.	0.01μF 50V K
C116	QFVFLHJ-224Z	MF CAP.	0.22μF 50V J
C117	QETNLEM-476Z	E CAP.	47μF 25V M
C118	NCB31HK-103X	C CAP.	0.01μF 50V K
C119	NDC31HJ-681X	C CAP.	680pF 50V J
C120	QETNLHM-474Z	E CAP.	0.47μF 50V M
C124	NCB31HK-103X	C CAP.	0.01μF 50V K
C131	NCB31HK-103X	C CAP.	0.01μF 50V K
C161	QETNLHM-106Z	E CAP.	10μF 50V M
C163	NDC31HJ-470X	C CAP.	47pF 50V J
C164	NDC31HJ-470X	C CAP.	47pF 50V J
C165	NCB31HK-103X	C CAP.	0.01μF 50V K
C166	NCB31HK-103X	C CAP.	0.01μF 50V K

Symbol No.	Part No.	Part Name	Description
CAPACITOR			
C202	QETNLHM-105Z	E CAP.	1μF 50V M
C203	NCB31HK-152X	C CAP.	1500pF 50V K
C211	QENCLCM-106Z	E CAP.	10μF 16V M
C212	NDC31HJ-100X	C CAP.	10pF 50V J
C221	QETNLHM-106Z	E CAP.	10μF 50V M
C222	QFVFLHJ-104Z	MF CAP.	0.1μF 50V J
C223	NCB31HK-103X	C CAP.	0.01μF 50V K
C233	NDC31HJ-680X	C CAP.	68pF 50V J
C237	NCB31HK-103X	C CAP.	0.01μF 50V K
C241	NCB31HK-103X	C CAP.	0.01μF 50V K
C242	QETNLHM-225Z	E CAP.	2.2μF 50V M
C243	QETNLHM-107Z	E CAP.	100μF 16V M
C244	NCB31HK-103X	C CAP.	0.01μF 50V K
C281	QFVFLHJ-474Z	MF CAP.	0.47μF 50V J
C282	QETNLHM-107Z	E CAP.	100μF 16V M
C283	NCB31HK-103X	C CAP.	0.01μF 50V K
C284	QETNLHM-225Z	E CAP.	2.2μF 50V M
C285	NCB31HK-103X	C CAP.	0.01μF 50V K
C286	QETNLHM-106Z	E CAP.	10μF 50V M
C287	QETNLHM-107Z	E CAP.	100μF 16V M
C288	NCB31HK-103X	C CAP.	0.01μF 50V K
C352	QETNLHM-336Z	E CAP.	33μF 16V M
C354	NCB31HK-103X	C CAP.	0.01μF 50V K
C391	QETNLHM-107Z	E CAP.	100μF 16V M
C392	NCB31HK-103X	C CAP.	0.01μF 50V K
C422	QFLCZAJ-102Z	M CAP.	1000pF 100V J
C424	QETNLHM-107Z	E CAP.	100μF 35V M
C425	QETNLHM-477Z	E CAP.	470μF 35V M
C427	QETNLHM-105Z	E CAP.	1μF 50V M
C428	QETNLEM-228	E CAP.	2200μF 25V M
C431	QFLCZAK-563Z	M CAP.	0.056μF 100V K
C432	QETNLEM-476Z	E CAP.	47μF 25V M
C433	QETNLEM-476Z	E CAP.	47μF 25V M
C435	NCB31HK-183X	C CAP.	0.018μF 50V K
C440	QCS32HJ-220Z	C CAP.	22pF 500V J
C501	QCB32HK-151Z	C CAP.	150pF 500V K
C502	QCB32HK-331Z	C CAP.	330pF 500V K
C503	QEHRLCM-105Z	E CAP.	1μF 160V M
C504	QEZ0203-107	E CAP.	100μF 160V M
C507	QEM6LHK-475Z	E CAP.	4.7μF 50V K
C508	QEM6LHK-475Z	E CAP.	4.7μF 50V K
C510	QFZ0196-532	MPP CAP.	5300pF1.5KVH±3%
C510	or QFZ0200-532	MPP CAP.	5300pF1.5KVH±3%
C513	QFZ0198-133	MPP CAP.	0.013μF1.5KVH±3%
C514	QFP32GJ-183	PP CAP.	0.018μF 400V J
C515	QFZ0197-564	MPP CAP.	0.56μF 250V J
C515	or QFZ0199-564	MPP CAP.	0.56μF 250V J
C516	QCB32HK-561Z	C CAP.	560pF 500V K
C521	QETNLEM-106Z	E CAP.	10μF 250V M
C523	QEHRLHM-108Z	E CAP.	1000μF 35V M
C525	QETNLHM-107Z	E CAP.	100μF 35V M
C526	QFV21HJ-824Z	MF CAP.	0.82μF 50V J
C527	QFLCZAJ-103Z	M CAP.	0.01μF 100V J
C531	QCB32HK-102Z	C CAP.	1000pF 500V K
C533	QETNLHM-106Z	E CAP.	10μF 50V M
C601	QETNLEM-476Z	E CAP.	47μF 25V M
C602	QETNLEM-476Z	E CAP.	47μF 25V M
C603	QETNLEM-476Z	E CAP.	47μF 25V M
C609	QFVFLHJ-104Z	MF CAP.	0.1μF 50V J
C610	QFVFLHJ-104Z	MF CAP.	0.1μF 50V J
C611	QFVFLHJ-104Z	MF CAP.	0.1μF 50V J
C621	NCB31HK-102X	C CAP.	1000pF 50V K
C622	NCF21CZ-105X	C CAP.	1μF 16V Z
C623	NCB31HK-102X	C CAP.	1000pF 50V K
C624	NCF21CZ-105X	C CAP.	1μF 16V Z
C625	QETNLHM-107Z	E CAP.	100μF 16V M
C626	QETNLEM-108Z	E CAP.	1000μF 25V M
C627	QETNLHM-474Z	E CAP.	0.47μF 50V M
C628	QETNLEM-108Z	E CAP.	1000μF 25V M
C629	QETNLEM-108Z	E CAP.	1000μF 25V M
C636	QETNLHM-105Z	E CAP.	1μF 50V M
C637	QETNLHM-105Z	E CAP.	1μF 50V M
C700	NCB31HK-102X	C CAP.	1000pF 50V K
C701	QETNLHM-106Z	E CAP.	10μF 50V M
C702	QETNLHM-106Z	E CAP.	10μF 50V M
C703	QETNLHM-106Z	E CAP.	10μF 50V M

[AV-32330/Y, AV-32S33/Y]

Symbol No.	Part No.	Part Name	Description
CAPACITOR			
C704	QETNLCM-107Z	E CAP.	100µF 16V M
C705	NCB31HK-103X	C CAP.	0.01µF 50V K
C706	QETNLCM-105Z	E CAP.	1µF 50V M
C708	NDC31HJ-220X	C CAP.	22pF 50V J
C709	NDC31HJ-220X	C CAP.	22pF 50V J
C711	QETNLCM-107Z	E CAP.	100µF 16V M
C712	NCB31HK-103X	C CAP.	0.01µF 50V K
C716	QETNLCM-106Z	E CAP.	10µF 50V M
C728	NCB31HK-103X	C CAP.	0.01µF 50V K
C807	QETNLCM-477Z	E CAP.	470µF 10V M
C815	NCB31HK-103X	C CAP.	0.01µF 50V K
C853	QETNLCM-227Z	E CAP.	220µF 16V M
C854	QETNLCM-227Z	E CAP.	220µF 16V M
C856	QETNLCM-227Z	E CAP.	220µF 16V M
C857	QETNLCM-477Z	E CAP.	470µF 16V M
△ C901	QFZ9067-104	MF CAP.	0.1µFAC275V M
△ C902	QFZ9075-473	MPP CAP.	0.047µFAC275V K
△ C902	or QFZ9072-473	MF CAP.	0.047µFAC275V K
△ C904	QCZ9054-102	C CAP.	1000pFAC250V Z
△ C905	QCZ9054-102	C CAP.	1000pFAC250V Z
△ C906	QCZ9054-102	C CAP.	1000pFAC250V Z
△ C907	QEZ0169-477	E CAP.	470µF 200V M
△ C908	QCZ9054-102	C CAP.	1000pFAC250V M
△ C908	or QCZ9079-102	C CAP.	1000pFAC250V M
C912	QCZ0340-22Z	C CAP.	2200pF 2kV K
C913	QFLC1HJ-471Z	M CAP.	470pF 50V J
C914	QETNLCM-107Z	E CAP.	100µF 50V M
C916	NDC31HJ-331X	C CAP.	330pF 50V J
C917	NCB31HK-182X	C CAP.	1800pF 50V K
C918	NCB21HK-104X	C CAP.	0.1µF 50V K
C919	QFP32GJ-103	PP CAP.	0.01µF 400V J
C931	QEZ0203-107	E CAP.	100µF 160V M
C933	QETNLCM-108Z	E CAP.	1000µF 16V M
C934	NDC31HJ-151X	C CAP.	150pF 50V J
C935	QETNLCM-108Z	E CAP.	1000µF 25V M
C937	QCZ0340-102	C CAP.	1000pF 2kV K
C938	QETNLCM-477Z	E CAP.	470µF 16V M
C939	QCB32HK-152Z	C CAP.	1500pF 500V K
C941	QCB32HK-102Z	C CAP.	1000pF 500V K
C942	QEHLNM-105Z	E CAP.	1µF 50V M
C951	QETNLCM-477Z	E CAP.	470µF 25V M
C952	QETNLCM-227Z	E CAP.	220µF 16V M
C971	QETNLCM-107Z	E CAP.	100µF 16V M
C972	QETNLCM-476Z	E CAP.	47µF 25V M
C973	QETNLCM-106Z	E CAP.	10µF 50V M
△ C997	QCZ9052-102	C CAP.	1000pFAC125V M
△ C998	QCZ9074-103	C CAP.	0.01µFAC250V M
△ C999	QCZ9074-103	C CAP.	0.01µFAC250V M

Symbol No.	Part No.	Part Name	Description
TRANSF			
T111	QQR0907-001	IFT	
T501	CE42034-002	HOR DRIVE TRANS	
△ T502	QQH0121-001	FB TRANSF	
△ T921	QQS0138-001	SW TRANSF	
△ T951	QQT0355-001	POWER TRANSF	or QQT0372-001

Symbol No.	Part No.	Part Name	Description
COIL			
L001	QQL244K-560Z	COIL	56µH K
L101	QQL2014-R22	INDUCTOR	
L113	QQL244K-4R7Z	COIL	4.7µH K
L131	QQL244K-150Z	COIL	15µH K
L161	QQL244K-220Z	INDUCTOR	
L232	QQL244K-560Z	COIL	56µH K
L241	QQL244K-220Z	INDUCTOR	
L391	QQL244K-220Z	INDUCTOR	
△ L511	QQR1027-003	LINEARITY COIL	
△ L512	QQL2036-821	INDUCTOR	or QQL2027-821
△ L521	QQL2026-560	INDUCTOR	
L701	QQL244K-220Z	INDUCTOR	
L702	QQL244K-220Z	INDUCTOR	
L703	QQL244K-220Z	INDUCTOR	
L704	QQL244K-220Z	INDUCTOR	
L705	QQL244K-220Z	INDUCTOR	
L931	QQL26AK-470Z	COIL	47µH K
L933	QQL26AK-470Z	COIL	47µH K
L940	QQR0582-001Z	FERRITE BEADS	

Symbol No.	Part No.	Part Name	Description
DIODE			
D305	1SS133-T2	SI DIODE	
D306	1SS133-T2	SI DIODE	
D307	1SS133-T2	SI DIODE	
D308	1SS133-T2	SI DIODE	
D309	1SS133-T2	SI DIODE	
D310	1SS133-T2	SI DIODE	
D352	MTZJ9.1C-T2	Z DIODE	
D353	1SS133-T2	SI DIODE	
D354	MTZJ9.3A-T2	Z DIODE	
D421	1N4003-T2	SI DIODE	
D422	MTZJ75-T2	Z DIODE	
D432	1SS133-T2	SI DIODE	
D501	RH3G-F1	SI DIODE	
△ D502	RU3M-LFC4	SI DIODE	
D521	RH1S-T3	SI DIODE	
D523	RGP10J-5025-T3	SI DIODE	
D525	1SS8L-T5	SI DIODE	
D526	1SS8L-T5	SI DIODE	
D527	1SR124-400A-T2	SI DIODE	
D529	MTZJ5.1C-T2	Z DIODE	
△ D531	MA4068N/Z1/-T2	Z DIODE	
D535	1SS133-T2	SI DIODE	
D537	1SR35-400A-T2	SI DIODE	
D601	MTZJ9.1C-T2	Z DIODE	
D602	MTZJ9.1C-T2	Z DIODE	
D603	MTZJ9.1C-T2	Z DIODE	
D700	MTZJ5.6B-T2	Z DIODE	
D701	1SS133-T2	SI DIODE	
D703	MTZJ5.6B-T2	Z DIODE	
D704	MTZJ5.6B-T2	Z DIODE	
D705	1SS133-T2	SI DIODE	
D706	MTZJ5.6B-T2	Z DIODE	
D707	MTZJ5.6B-T2	Z DIODE	
D708	MTZJ5.6B-T2	Z DIODE	
D709	MTZJ5.6B-T2	Z DIODE	
D723	MTZJ5.6B-T2	Z DIODE	
△ D901	GS1B60-S1	BRIDGE DIODE	
D910	MA700A-T2	SB DIODE	
△ D911	RGP10J-5025-T3	SI DIODE	
△ D912	RGP10J-5025-T3	SI DIODE	
△ D913	RGP10J-5025-T3	SI DIODE	
D914	1SS133-T2	SI DIODE	
D915	SAR501-T2	SI DIODE	
D917	MTZJ30A-T2	Z DIODE	
D918	MTZJ5.1C-T2	Z DIODE	
D920	1SS133-T2	SI DIODE	
D931	RU3M-F1	SI DIODE	
D933	RU3M-LFC4	SI DIODE	
D935	RU3M-LFC4	SI DIODE	
D941	MTZJ33A-T2	Z DIODE	
D945	MTZJ9.1B-T2	Z DIODE	
D952	1SS133-T2	SI DIODE	
D953	1SS133-T2	SI DIODE	
D954	1N4002G-T2	SI DIODE	
D955	1N4002G-T2	SI DIODE	
D956	1N4002G-T2	SI DIODE	
D957	1N4002G-T2	SI DIODE	
D972	MTZJ15C-T2	Z DIODE	
D973	1SS133-T2	SI DIODE	

Symbol No.	Part No.	Part Name	Description
TRANSISTOR			
Q001	UN2212-X	DIGI TRANSISTOR	
Q101	2SC3083/L-P/-T	TRANSISTOR	
Q131	2SB709A/QR/-X	TRANSISTOR	
Q161	2SD601A/QR/-X	TRANSISTOR	
Q211	2SD601A/QR/-X	TRANSISTOR	
Q232	2SD601A/QR/-X	TRANSISTOR	
Q233	2SD601A/QR/-X	TRANSISTOR	
Q352	2SD601A/QR/-X	TRANSISTOR	
Q431	UN2212-X	DIGI TRANSISTOR	
Q501	2SC4212/Z1/	TRANSISTOR	
△ Q511	2SD2645-YD	POWER TRANSISTO	H.OUT
Q531	2SC2785/JH/-T	SI TRANSISTOR	
Q532	2SB709A/QR/-X	TRANSISTOR	
Q541	2SB709A/QR/-X	TRANSISTOR	
Q542	2SB709A/QR/-X	TRANSISTOR	
Q543	2SD1408/OY/-LB	POW TRANSISTOR	
Q622	2SD601A/QR/-X	TRANSISTOR	
Q623	UN2212-X	DIGI TRANSISTOR	
Q701	2SB709A/QR/-X	TRANSISTOR	
Q951	2SD1383K/AB/-X	TRANSISTOR	
Q971	2SA1208/ST/Z1-T	TRANSISTOR	

[AV-32330/Y, AV-32S33/Y]

Symbol No.	Part No.	Part Name	Description
IC			
IC101	M52342SP	IC	
IC201	TH8812CSBNG3U68	IC	
△ IC421	LA7841	IC	
△ IC621	LA4485	IC	
IC702	AT24C08-32D503	IC	(SERVICE)
IC703	S-80840ANY-T	IC	
IC704	AN78L05-T	IC	
IC852	AN7809F	IC	
IC852	or BA17809T	IC	or BA17809T
IC853	AN7805F	IC	
IC853	or BA17805T	IC	or BA17805T
△ IC911	STR-G6624/F8	IC	
△ IC921	SE135N	IC	
OTHERS			
CF001	QAX0349-001	C TRAP	
CF131	QAX0639-001Z	C TRAP	
CF161	QAX0642-001Z	C FILTER	
CN001	QGB1505J1-35	B TO B CONNE	
CN002	QGB1505J1-25	B TO B CONNE	
CN004	QGA2501C5-05Z	W TO B CONNE	
CN005	QGA2501C5-04Z	W TO B CONNE	
CN007	QGA2501C5-07Z	W TO B CONNE	
△ CN0PW	QMP0390-200-JS	POWER CORD	or QMPD200-200-JC
△ CP932	ICP-N70-T	C PROTECTOR	
△ CP936	ICP-N70-T	C PROTECTOR	
△ F901	QMF0007-5R0J1	FUSE	or QMF51U1-5R0-J8
△ F905	QMF2034-5R0Z-J1	FUSE	5.0A
FC901	CEM002-001Z	FUSE CLIP	
FC902	CEM002-001Z	FUSE CLIP	
△ FR525	QRZ9017-4R7	F R	4.7Ω 1/4W J
△ FR527	QRZ9011-470	F R	47Ω 1/2W J
J601	QNN0349-002	PIN JACK	
K401	QQR0621-002Z	FERRITE BEADS	
K912	QQR0582-001Z	FERRITE BEADS	
K916	QQR0582-001Z	FERRITE BEADS	
K917	QQR0582-001Z	FERRITE BEADS	
K918	QQR0582-001Z	FERRITE BEADS	
K931	QQR0582-001Z	FERRITE BEADS	
K932	QQR0582-001Z	FERRITE BEADS	
K933	QQR0621-002Z	FERRITE BEADS	
K935	QQR0582-001Z	FERRITE BEADS	
LC601	QQR1199-001	EMI FILTER	
LC602	QQR1199-001	EMI FILTER	
LC603	QQR1199-001	EMI FILTER	
△ LF901	QQR1085-003	LINE FILTER	or QQR0527-003
△ PC921	TLP421F/D4-GR	IC (PHOTO COUPLE	
△ RY951	QSK0086-001	RELAY	
△ RY951	or QSK0085-001	RELAY	
△ RY951	or QSK0130-001	RELAY	
S421	QSL4A13-C02	LEVER SWITCH	V. CENTER SW
SF101	QAX0723-001	SAW FILTER	
△ TH901	QAD0132-3R0	P THERMISTOR	
△ TU001	QAU0274-001	TUNER	
△ VA901	ERZV10V621CS	ZNR	
X701	QAX0717-001Z	CRYSTAL	

CRT SOCKET P.W. BOARD ASS'Y (SGE-3004A-M2)

Refer to PARTS LIST in page 55 for this P.W. board

AV SELECTOR P.W. BOARD ASS'Y (SGE-5002A-M2)

Refer to PARTS LIST in page 45 for this P.W. board

FRONT AV IN P.W. BOARD ASS'Y (SGE-6002A-M2)

Refer to PARTS LIST in page 46 for this P.W. board

FRONT CONTROL P.W. BOARD ASS'Y (SGE-7002A-M2)

Refer to PARTS LIST in page 46 for this P.W. board

[AV-32320/M]

PRINTED WIRING BOARD PARTS LIST

MAIN P.W. BOARD ASS'Y (SGE-1048A-M2)

Symbol No.	Part No.	Part Name	Description
RESISTOR			
R002	NRSA63J-0R0X	MG R	0.0Ω 1/16W J
R003	NRSA63J-101X	MG R	100Ω 1/16W J
R004	NRSA63J-101X	MG R	100Ω 1/16W J
R005	NRSA63J-0R0X	MG R	0.0Ω 1/16W J
R008	NRSA63J-820X	MG R	82Ω 1/16W J
R009	NRSA63J-682X	MG R	6.8kΩ 1/16W J
R101	NRSA63J-562X	MG R	5.6kΩ 1/16W J
R102	NRSA63J-182X	MG R	1.8kΩ 1/16W J
R103	QRE121J-101Y	C R	100Ω 1/2W J
R104	NRSA63J-180X	MG R	18Ω 1/16W J
R105	NRSA63J-270X	MG R	27Ω 1/16W J
R111	NRSA63J-394X	MG R	390kΩ 1/16W J
R112	NRSA63J-334X	MG R	330kΩ 1/16W J
R113	NRSA63J-101X	MG R	100Ω 1/16W J
R115	NRSA63J-101X	MG R	100Ω 1/16W J
R116	NRSA63J-680X	MG R	68Ω 1/16W J
R117	NRSA63J-273X	MG R	27kΩ 1/16W J
R118	NRSA63J-223X	MG R	22kΩ 1/16W J
R131	NRSA63J-102X	MG R	1kΩ 1/16W J
R132	NRSA63J-331X	MG R	330Ω 1/16W J
R133	NRSA63J-821X	MG R	820Ω 1/16W J
R134	NRSA63J-561X	MG R	560Ω 1/16W J
R135	NRSA63J-102X	MG R	1kΩ 1/16W J
R161	NRSA63J-332X	MG R	3.3kΩ 1/16W J
R162	NRSA63J-0R0X	MG R	0.0Ω 1/16W J
R163	NRSA63J-223X	MG R	22kΩ 1/16W J
R164	NRSA63J-102X	MG R	1kΩ 1/16W J
R165	NRSA63J-223X	MG R	22kΩ 1/16W J
R166	NRSA63J-103X	MG R	10kΩ 1/16W J
R167	NRSA63J-102X	MG R	1kΩ 1/16W J
R168	NRSA63J-101X	MG R	100Ω 1/16W J
R169	NRSA63J-561X	MG R	560Ω 1/16W J
R171	NRSA63J-103X	MG R	10kΩ 1/16W J
R201	NRSA63J-223X	MG R	22kΩ 1/16W J
R212	NRSA63J-272X	MG R	2.7kΩ 1/16W J
R215	NRSA63J-562X	MG R	5.6kΩ 1/16W J
R216	NRSA63J-562X	MG R	5.6kΩ 1/16W J
R217	NRSA63J-102X	MG R	1kΩ 1/16W J
R222	NRSA63J-0R0X	MG R	0.0Ω 1/16W J
R227	NRSA63J-104X	MG R	100kΩ 1/16W J
R231	NRSA63J-182X	MG R	1.8kΩ 1/16W J
R237	NRSA63J-392X	MG R	3.9kΩ 1/16W J
R238	NRSA63J-473X	MG R	47kΩ 1/16W J
R241	NRSA63J-332X	MG R	3.3kΩ 1/16W J
R243	NRSA63J-152X	MG R	1.5kΩ 1/16W J
R281	NRSA63J-182X	MG R	1.8kΩ 1/16W J
R282	NRSA63J-392X	MG R	3.9kΩ 1/16W J
R283	NRSA63J-681X	MG R	680Ω 1/16W J
R286	NRSA63J-472X	MG R	4.7kΩ 1/16W J
R287	NRSA63J-101X	MG R	100Ω 1/16W J
R288	NRSA63J-471X	MG R	470Ω 1/16W J
R289	NRSA63J-154X	MG R	150kΩ 1/16W J
R290	NRSA63J-561X	MG R	560Ω 1/16W J
R292	NRSA63J-124X	MG R	120kΩ 1/16W J
R293	NRSA63J-224X	MG R	220kΩ 1/16W J
R301	NRSA63J-222X	MG R	2.2kΩ 1/16W J
R302	NRSA63J-222X	MG R	2.2kΩ 1/16W J
R303	NRSA63J-222X	MG R	2.2kΩ 1/16W J
R304	NRSA63J-101X	MG R	100Ω 1/16W J
R305	NRSA63J-101X	MG R	100Ω 1/16W J
R306	NRSA63J-101X	MG R	100Ω 1/16W J
R354	NRSA63J-0R0X	MG R	0.0Ω 1/16W J
R355	NRSA63J-0R0X	MG R	0.0Ω 1/16W J
R356	NRSA63J-123X	MG R	12kΩ 1/16W J
R359	NRSA63J-103X	MG R	10kΩ 1/16W J
R360	NCB31HK-103X	C CAP	0.01μF 50V K
R421	NRSA63J-822X	MG R	8.2kΩ 1/16W J
R423	NRSA63J-393X	MG R	39kΩ 1/16W J
R424	NRSA63J-393X	MG R	39kΩ 1/16W J
R426	NRSA63J-183X	MG R	18kΩ 1/16W J
R427	QRT029J-1R5	MF R	1.5Ω 2W J

Symbol No.	Part No.	Part Name	Description
RESISTOR			
R429	NRSA63J-272X	MG R	2.7kΩ 1/16W J
R430	NRSA63J-0R0X	MG R	0.0Ω 1/16W J
R431	NRSA63J-152X	MG R	1.5kΩ 1/16W J
R432	NRSA63J-101X	MG R	100Ω 1/16W J
R433	NRSA63J-681X	MG R	680Ω 1/16W J
R434	QRL029J-181	OM R	180Ω 2W J
R435	QRE121J-102Y	C R	1kΩ 1/2W J
R441	NRSA63J-0R0X	MG R	0.0Ω 1/16W J
R447	NRSA63J-104X	MG R	100kΩ 1/16W J
R448	NRSA63J-473X	MG R	47kΩ 1/16W J
R449	NRSA63J-103X	MG R	10kΩ 1/16W J
R501	NRSA63J-0R0X	MG R	0.0Ω 1/16W J
R502	NRSA63J-271X	MG R	270Ω 1/16W J
R503	QRE121J-103Y	C R	10kΩ 1/2W J
R504	QRL029J-102	OM R	1kΩ 3W J
R505	QRL029J-102	OM R	1kΩ 3W J
R511	QRE121J-220Y	C R	22Ω 1/2W J
R512	QRE121J-681Y	C R	680Ω 1/2W J
R523	QRJ146J-333X	C R	33kΩ 1/4W J
R526	QRE121J-272Y	C R	2.7kΩ 1/2W J
R527	QRE121J-154Y	C R	150kΩ 1/2W J
R528	QRE121J-154Y	C R	150kΩ 1/2W J
R529	NRSA63J-331X	MG R	330Ω 1/16W J
R531	QRJ146J-391X	C R	390Ω 1/4W J
R532	NRSA63J-273X	MG R	27kΩ 1/16W J
R533	NRSA63J-123X	MG R	12kΩ 1/16W J
R534	NRSA63J-123X	MG R	12kΩ 1/16W J
Δ R535	NRVA02D-222X	MF R	2.2kΩ 1/10W D
Δ R537	NRVA02D-752X	MF R	7.5kΩ 1/10W D
R538	NRSA63J-333X	MG R	330Ω 1/16W J
R543	QRE121J-122Y	C R	1.2kΩ 1/2W J
R544	QRE121J-392Y	C R	3.9kΩ 1/2W J
R545	QRE121J-822Y	C R	8.2kΩ 1/2W J
R546	NRSA63J-331X	MG R	330Ω 1/16W J
R547	NRSA63J-104X	MG R	100kΩ 1/16W J
R548	QRE121J-152Y	C R	1.5kΩ 1/2W J
R553	QRL029J-180	OM R	180Ω 3W J
Δ R554	QRK126J-150X	C R	15Ω 1/2W J
R555	QRX029J-3R3	MF R	3.3Ω 2W J
R601	NRSA63J-750X	MG R	75Ω 1/16W J
R602	NRSA63J-750X	MG R	75Ω 1/16W J
R603	NRSA63J-750X	MG R	75Ω 1/16W J
R613	NRSA63J-0R0X	MG R	0.0Ω 1/16W J
R610	NRSA63J-0R0X	MG R	0.0Ω 1/16W J
R611	NRSA63J-0R0X	MG R	0.0Ω 1/16W J
R621	NRSA63J-682X	MG R	6.8kΩ 1/16W J
R622	NRSA63J-681X	MG R	680Ω 1/16W J
R623	NRSA63J-682X	MG R	6.8kΩ 1/16W J
R624	NRSA63J-681X	MG R	680Ω 1/16W J
R626	NRSA63J-223X	MG R	22kΩ 1/16W J
R627	NRSA63J-223X	MG R	22kΩ 1/16W J
R631	NRSA63J-333X	MG R	330Ω 1/16W J
R632	NRSA63J-223X	MG R	22kΩ 1/16W J
R638	NRSA63J-0R0X	MG R	0.0Ω 1/16W J
R639	NRSA63J-0R0X	MG R	0.0Ω 1/16W J
R651	NRSA63J-0R0X	MG R	0.0Ω 1/16W J
R652	NRSA63J-0R0X	MG R	0.0Ω 1/16W J
R653	NRSA63J-0R0X	MG R	0.0Ω 1/16W J
R700	NRSA63J-102X	MG R	1kΩ 1/16W J
R701	NRSA63J-103X	MG R	10kΩ 1/16W J
R702	NRSA63J-102X	MG R	1kΩ 1/16W J
R704	NRSA63J-472X	MG R	4.7kΩ 1/16W J
R705	NRSA63J-472X	MG R	4.7kΩ 1/16W J
R706	NRSA63J-472X	MG R	4.7kΩ 1/16W J
R707	NRSA63J-103X	MG R	10kΩ 1/16W J
R708	NRSA63J-101X	MG R	100Ω 1/16W J
R709	NRSA63J-101X	MG R	100Ω 1/16W J
R715	NRSA63J-103X	MG R	10kΩ 1/16W J
R718	NRSA63J-223X	MG R	22kΩ 1/16W J
R721	NRSA63J-102X	MG R	1kΩ 1/16W J
R728	NRSA63J-102X	MG R	1kΩ 1/16W J

[AV-32320/M]

Symbol No.	Part No.	Part Name	Description
RESISTOR			
R729	NRS463J-223X	MG R	22kΩ 1/16W J
R731	NRS463J-101X	MG R	100Ω 1/16W J
R732	NRS463J-101X	MG R	100Ω 1/16W J
R733	NRS463J-472X	MG R	4.7kΩ 1/16W J
R734	NRS463J-472X	MG R	4.7kΩ 1/16W J
R739	NRS463J-0R0X	MG R	0.0Ω 1/16W J
R740	NRS463J-103X	MG R	10kΩ 1/16W J
R764	NRS463J-221X	MG R	220Ω 1/16W J
R765	NRS463J-221X	MG R	220Ω 1/16W J
R766	NRS463J-221X	MG R	220Ω 1/16W J
R767	NRS463J-221X	MG R	220Ω 1/16W J
R769	NRS463J-682X	MG R	6.8kΩ 1/16W J
R772	NRS463J-103X	MG R	10kΩ 1/16W J
R811	NRS463J-473X	MG R	47kΩ 1/16W J
R816	NRS463J-124X	MG R	120kΩ 1/16W J
R821	NRS463J-184X	MG R	180kΩ 1/16W J
R822	NRS463J-0R0X	MG R	0.0Ω 1/16W J
R827	NRS463J-102X	MG R	1kΩ 1/16W J
R855	QRG09J-100	OM R	10Ω 3W J
R857	QRL09J-270	OM R	27Ω 2W J
R858	QRL09J-180	OM R	18Ω 2W J
R901	QRF074K-R47	UNF R	0.47Ω 7W K
R909	QRG01G-470	OM R	47Ω 1W J
R911	QRE121J-223Y	C R	22kΩ 1/2W J
R912	QRT09J-R22	MF R	0.22Ω 2W J
R913	QRT09J-R22	MF R	0.22Ω 2W J
R914	QRK126J-681X	C R	680Ω 1/2W J
R915	QRK129J-688	C R	6.8Ω 1/2W J
R917	QRK126J-332X	C R	3.3kΩ 1/2W J
R918	QRE121J-222Y	C R	2.2kΩ 1/2W J
R919	QRE121J-684Y	C R	680kΩ 1/2W J
R924	QRE121J-222Y	C R	2.2kΩ 1/2W J
R930	QRE121J-223Y	C R	22kΩ 1/2W J
R939	QRT09J-2R2	MF R	2.2Ω 3W J
R940	QRE121J-181Y	C R	180Ω 1/2W J
R941	QRL09J-183	OM R	18kΩ 2W J
R950	NRS463J-0R0X	MG R	0.0Ω 1/16W J
R951	NRS463J-473X	MG R	47kΩ 1/16W J
R952	NRS463J-102X	MG R	1kΩ 1/16W J
R953	QRE121J-820Y	C R	82Ω 1/2W J
R973	QRE121J-272Y	C R	2.7kΩ 1/2W J
R975	QRE121J-223Y	C R	22kΩ 1/2W J
R977	QRE121J-473Y	C R	47kΩ 1/2W J
R978	NRS463J-333X	MG R	33kΩ 1/16W J
R979	QRT09J-1R2	MF R	1.2Ω 2W J
R980	QRT09J-1R2	MF R	1.2Ω 2W J
R998	QRZ9041-275	C R	2.7kΩ 1/2W K
R999	QRE121J-121Y	C R	120Ω 1/2W J

Symbol No.	Part No.	Part Name	Description
CAPACITOR			
C001	QETN1HM-475Z	E CAP.	4.7μF 50V M
C003	QETN1HM-106Z	E CAP.	10μF 50V M
C004	QETN1CM-108Z	E CAP.	1000μF 16V M
C006	QETN1EM-476Z	E CAP.	47μF 25V M
C101	NCB31HK-103X	C CAP.	0.01μF 50V K
C102	NCB31HK-103X	C CAP.	0.01μF 50V K
C104	NCB31HK-103X	C CAP.	0.01μF 50V K
C105	NCB31HK-103X	C CAP.	0.01μF 50V K
C106	QETN1EM-476Z	E CAP.	47μF 25V M
C107	NCB31HK-103X	C CAP.	0.01μF 50V K
C113	NCB31HK-103X	C CAP.	0.01μF 50V K
C114	NCB31HK-103X	C CAP.	0.01μF 50V K
C116	QFV1HJ-224Z	MF CAP.	0.22μF 50V J
C117	QETN1EM-476Z	E CAP.	47μF 25V M
C118	NCB31HK-103X	C CAP.	0.01μF 50V K
C119	NDC31HJ-681X	C CAP.	680pF 50V J
C120	QETN1HM-474Z	E CAP.	0.47μF 50V M
C124	NCB31HK-103X	C CAP.	0.01μF 50V K
C131	NCB31HK-103X	C CAP.	0.01μF 50V K
C161	QETN1HM-106Z	E CAP.	10μF 50V M
C163	NDC31HJ-470X	C CAP.	47pF 50V J
C164	NDC31HJ-470X	C CAP.	47pF 50V J
C165	NCB31HK-103X	C CAP.	0.01μF 50V K
C166	NCB31HK-103X	C CAP.	0.01μF 50V K
C202	QETN1HM-105Z	E CAP.	1μF 50V M

Symbol No.	Part No.	Part Name	Description
CAPACITOR			
C203	NCB31HK-152X	C CAP.	1500pF 50V K
C211	QENCLCM-106Z	E CAP.	10μF 16V M
C212	NDC31HJ-100X	C CAP.	10pF 50V J
C221	QETN1HM-106Z	E CAP.	10μF 50V M
C222	QFV1HJ-104Z	MF CAP.	0.1μF 50V J
C223	NCB31HK-103X	C CAP.	0.01μF 50V K
C233	NDC31HJ-680X	C CAP.	68pF 50V J
C237	NCB31HK-103X	C CAP.	0.01μF 50V K
C241	NCB31HK-103X	C CAP.	0.01μF 50V K
C242	QETN1HM-225Z	E CAP.	2.2μF 50V M
C243	QETN1CM-107Z	E CAP.	100μF 16V M
C244	NCB31HK-103X	C CAP.	0.01μF 50V K
C281	QFV1HJ-474Z	MF CAP.	0.47μF 50V J
C282	QETN1CM-107Z	E CAP.	100μF 16V M
C283	NCB31HK-103X	C CAP.	0.01μF 50V K
C284	QETN1HM-225Z	E CAP.	2.2μF 50V M
C285	NCB31HK-103X	C CAP.	0.01μF 50V K
C286	QETN1HM-106Z	E CAP.	10μF 50V M
C287	QETN1CM-107Z	E CAP.	100μF 16V M
C288	NCB31HK-103X	C CAP.	0.01μF 50V K
C352	QETN1CM-336Z	E CAP.	33μF 16V M
C354	NCB31HK-103X	C CAP.	0.01μF 50V K
C391	QETN1CM-107Z	E CAP.	100μF 16V M
C392	NCB31HK-103X	C CAP.	0.01μF 50V K
C422	QFLC2AJ-102Z	M CAP.	1000pF 100V J
C424	QETN1VM-107Z	E CAP.	100μF 35V M
C425	QETN1VM-477Z	E CAP.	470μF 35V M
C427	QETN1HM-105Z	E CAP.	1μF 50V M
C428	QETN1EM-228	E CAP.	2200μF 25V M
C431	QFLC2AK-563Z	M CAP.	0.056μF 100V K
C432	QETN1EM-476Z	E CAP.	47μF 25V M
C433	QETN1EM-476Z	E CAP.	47μF 25V M
C435	NCB31HK-183X	C CAP.	0.018μF 50V K
C440	QCS32HJ-220Z	C CAP.	22pF 500V J
C501	QCB32HK-151Z	C CAP.	150pF 500V K
C502	QCB32HK-331Z	C CAP.	330pF 500V K
C503	QEH2CM-105Z	E CAP.	1μF 160V M
C504	QEZ03-107	E CAP.	100μF 160V M
C507	QEM61HK-475Z	E CAP.	4.7μF 50V K
C508	QEM61HK-475Z	E CAP.	4.7μF 50V K
C510	QFZ0196-53Z	MPP CAP.	5300pF 1.5kVH±3%
C510	or QFZ0200-53Z	MPP CAP.	5300pF 1.5kVH±3%
C513	QFZ0198-133	MPP CAP.	0.013μF 1.5kVH±3%
C514	QFP32GJ-183	PP CAP.	0.018μF 400V J
C515	QFZ0197-564	MPP CAP.	0.56μF 250V J
C515	or QFZ0199-564	MPP CAP.	0.56μF 250V J
C516	QCB32HK-561Z	C CAP.	560pF 500V K
C521	QETN1EM-106Z	E CAP.	10μF 250V M
C523	QEH1VM-108Z	E CAP.	1000μF 35V M
C525	QETN1VM-107Z	E CAP.	100μF 35V M
C526	QFV21HJ-824Z	MF CAP.	0.82μF 50V J
C527	QFLC2AJ-103Z	M CAP.	0.01μF 100V J
C531	QCB32HK-102Z	C CAP.	1000pF 500V K
C533	QETN1HM-106Z	E CAP.	10μF 50V M
C601	QETN1EM-476Z	E CAP.	47μF 25V M
C602	QETN1EM-476Z	E CAP.	47μF 25V M
C603	QETN1EM-476Z	E CAP.	47μF 25V M
C609	QFV1HJ-104Z	MF CAP.	0.1μF 50V J
C610	QFV1HJ-104Z	MF CAP.	0.1μF 50V J
C611	QFV1HJ-104Z	MF CAP.	0.1μF 50V J
C621	NCB31HK-102X	C CAP.	1000pF 50V K
C622	NCF21CZ-105X	C CAP.	1μF 16V Z
C623	NCB31HK-102X	C CAP.	1000pF 50V K
C624	NCF21CZ-105X	C CAP.	1μF 16V Z
C625	QETN1CM-107Z	E CAP.	100μF 16V M
C626	QETN1EM-108Z	E CAP.	1000μF 25V M
C627	QETN1HM-474Z	E CAP.	0.47μF 50V M
C628	QETN1EM-108Z	E CAP.	1000μF 25V M
C629	QETN1BM-108Z	E CAP.	1000μF 25V M
C636	QETN1HM-105Z	E CAP.	1μF 50V M
C637	QETN1HM-105Z	E CAP.	1μF 50V M
C700	NCB31HK-102X	C CAP.	1000pF 50V K
C701	QETN1HM-106Z	E CAP.	10μF 50V M
C702	QETN1HM-106Z	E CAP.	10μF 50V M
C703	QETN1HM-106Z	E CAP.	10μF 50V M
C704	QETN1CM-107Z	E CAP.	100μF 16V M
C705	NCB31HK-103X	C CAP.	0.01μF 50V K

[AV-32320/M]

Symbol No.	Part No.	Part Name	Description
CAPACITOR			
C706	QETN1HM-105Z	E CAP.	1 μ F 50V M
C708	NDC31HJ-220X	C CAP.	220F 50V J
C709	NDC31HJ-220X	C CAP.	220F 50V J
C711	QETN1CM-107Z	E CAP.	100 μ F 16V M
C712	NCB31HK-103X	C CAP.	0.01 μ F 50V K
C716	QETN1HM-106Z	E CAP.	10 μ F 50V M
C728	NCB31HK-103X	C CAP.	0.01 μ F 50V K
C807	QETN1AM-477Z	E CAP.	470 μ F 10V M
C815	NCB31HK-103X	C CAP.	0.01 μ F 50V K
C853	QETN1CM-227Z	E CAP.	220 μ F 16V M
C854	QETN1CM-227Z	E CAP.	220 μ F 16V M
C856	QETN1CM-227Z	E CAP.	220 μ F 16V M
C857	QETN1CM-477Z	E CAP.	470 μ F 16V M
△ C901	QFZ9067-104	MF CAP.	0.1 μ FAC275V M
△ C902	QFZ9075-473	MPP CAP.	0.047 μ FAC275V K
△ C902	or QFZ9072-473	MF CAP.	0.047 μ FAC275V K
△ C904	QCZ9054-102	C CAP.	1000 μ FAC250V Z
△ C905	QCZ9054-102	C CAP.	1000 μ FAC250V Z
△ C906	QCZ9054-102	C CAP.	1000 μ FAC250V Z
△ C907	QEZ0169-477	E CAP.	470 μ F 200V M
△ C908	QCZ9054-102	C CAP.	1000 μ FAC250V M
△ C908	or QCZ9079-102	C CAP.	1000 μ FAC250V M
C912	QCZ0840-222	C CAP.	2200 μ F 2kV K
C913	QFLC1HJ-471Z	M CAP.	470 μ F 50V J
C914	QETN1HM-107Z	E CAP.	100 μ F 50V M
C916	NDC31HJ-331X	C CAP.	330 μ F 50V J
C917	NCB31HK-182X	C CAP.	1800 μ F 50V K
C918	NCB21HK-104X	C CAP.	0.1 μ F 50V K
C919	QFP32GJ-103	PP CAP.	0.01 μ F 400V J
C931	QEZ0203-107	E CAP.	100 μ F 160V M
C933	QETN1CM-108Z	E CAP.	1000 μ F 16V M
C934	NDC31HJ-151X	C CAP.	150 μ F 50V J
C935	QETN1EM-108Z	E CAP.	1000 μ F 25V M
C937	QCZ0840-102	C CAP.	1000 μ F 2kV K
C938	QETN1CM-477Z	E CAP.	470 μ F 16V M
C939	QCB32HK-152Z	C CAP.	1500 μ F 500V K
C941	QCB32HK-102Z	C CAP.	1000 μ F 500V K
C942	QEHRIHM-105Z	E CAP.	1 μ F 50V M
C951	QETN1EM-477Z	E CAP.	470 μ F 25V M
C952	QETN1CM-227Z	E CAP.	220 μ F 16V M
C971	QETN1CM-107Z	E CAP.	100 μ F 16V M
C972	QETN1EM-476Z	E CAP.	47 μ F 25V M
C973	QETN1HM-106Z	E CAP.	10 μ F 50V M
△ C997	QCZ9052-102	C CAP.	1000 μ FAC125V M
△ C998	QCZ9074-103	C CAP.	0.01 μ FAC250V M
△ C999	QCZ9074-103	C CAP.	0.01 μ FAC250V M

Symbol No.	Part No.	Part Name	Description
TRANSF			
T111	QQR0907-001	IFT	
T501	CE42034-002	HOR DRIVE TRANS	
△ T502	QQH0121-001	FB TRANSF	
△ T921	QOS0138-001	SW TRANSF	
△ T951	QQT0355-001	POWER TRANSF	or QQT0372-001

Symbol No.	Part No.	Part Name	Description
COIL			
L001	QQL244K-560Z	COIL	56 μ H K
L101	QQL2014-R22	INDUCTOR	
L113	QQL244K-4R7Z	COIL	4.7 μ H K
L131	QQL244K-150Z	COIL	15 μ H K
L161	QQL244K-220Z	INDUCTOR	
L232	QQL244K-560Z	COIL	56 μ H K
L241	QQL244K-220Z	INDUCTOR	
L391	QQL244K-220Z	INDUCTOR	
△ L511	QQR1027-003	LINEARITY COIL	
△ L512	QQL2036-821	INDUCTOR	or QQL2027-821
△ L521	QQL2026-640	INDUCTOR	
L701	QQL244K-220Z	INDUCTOR	
L702	QQL244K-220Z	INDUCTOR	
L703	QQL244K-220Z	INDUCTOR	
L704	QQL244K-220Z	INDUCTOR	
L705	QQL244K-220Z	INDUCTOR	
L931	QQL26AK-470Z	COIL	47 μ H K
L933	QQL26AK-470Z	COIL	47 μ H K
L940	QQR0582-001Z	FERRITE BEADS	

Symbol No.	Part No.	Part Name	Description
DIODE			
D305	1SS133-T2	SI DIODE	
D306	1SS133-T2	SI DIODE	
D307	1SS133-T2	SI DIODE	
D308	1SS133-T2	SI DIODE	
D354	MTZJ3-3A-T2	Z DIODE	
D309	1SS133-T2	SI DIODE	
D310	1SS133-T2	SI DIODE	
D352	MTZJ9-1C-T2	Z DIODE	
D353	1SS133-T2	SI DIODE	
D421	1N4003-T2	SI DIODE	
D422	MTZJ75-T2	Z DIODE	
D432	1SS133-T2	SI DIODE	
D501	RH3G-F1	SI DIODE	
△ D502	RU3AM-LFC4	SI DIODE	
D521	RH1S-T3	SI DIODE	
D523	RGP10J-5025-T3	SI DIODE	
D525	1SS81-T5	SI DIODE	
D526	1SS81-T5	SI DIODE	
D527	1SR124-400A-T2	SI DIODE	
D529	MTZJ5-1C-T2	Z DIODE	
△ D531	MA4068N/Z1/-T2	Z DIODE	
D535	1SS133-T2	SI DIODE	
D537	1SR35-400A-T2	SI DIODE	
D601	MTZJ9-1C-T2	Z DIODE	
D602	MTZJ9-1C-T2	Z DIODE	
D603	MTZJ9-1C-T2	Z DIODE	
D700	MTZJ5-6B-T2	Z DIODE	
D701	1SS133-T2	SI DIODE	
D703	MTZJ5-6B-T2	Z DIODE	
D704	MTZJ5-6B-T2	Z DIODE	
D705	1SS133-T2	SI DIODE	
D706	MTZJ5-6B-T2	Z DIODE	
D707	MTZJ5-6B-T2	Z DIODE	
D708	MTZJ5-6B-T2	Z DIODE	
D709	MTZJ5-6B-T2	Z DIODE	
D723	MTZJ5-6B-T2	Z DIODE	
△ D901	G51B60-S1	BRIDGE DIODE	
D910	MA700A-T2	SB DIODE	
△ D911	RGP10J-5025-T3	SI DIODE	
△ D912	RGP10J-5025-T3	SI DIODE	
△ D913	RGP10J-5025-T3	SI DIODE	
D914	1SS133-T2	SI DIODE	
D915	SARS01-T2	SI DIODE	
D917	MTZJ30A-T2	Z DIODE	
D918	MTZJ5-1C-T2	Z DIODE	
D920	1SS133-T2	SI DIODE	
D931	RU30A-F1	SI DIODE	
D933	RU3Y-LFC4	SI DIODE	
D935	RU3Y-LFC4	SI DIODE	
D941	MTZJ33A-T2	Z DIODE	
D945	MTZJ9-1B-T2	Z DIODE	
D952	1SS133-T2	SI DIODE	
D953	1SS133-T2	SI DIODE	
D954	1N4002G-T2	SI DIODE	
D955	1N4002G-T2	SI DIODE	
D956	1N4002G-T2	SI DIODE	
D957	1N4002G-T2	SI DIODE	
D972	MTZJ15C-T2	Z DIODE	
D973	1SS133-T2	SI DIODE	

Symbol No.	Part No.	Part Name	Description
TRANSISTOR			
Q001	UN2212-X	DIGI TRANSISTOR	
Q101	2SC3083/L-P/-T	TRANSISTOR	
Q131	2SB709A/QR/-X	TRANSISTOR	
Q161	2SD601A/QR/-X	TRANSISTOR	
Q211	2SD601A/QR/-X	TRANSISTOR	
Q232	2SD601A/QR/-X	TRANSISTOR	
Q233	2SD601A/QR/-X	TRANSISTOR	
Q352	2SD601A/QR/-X	TRANSISTOR	
Q431	UN2212-X	DIGI TRANSISTOR	
Q501	2SC4212/Z1/	TRANSISTOR	
△ Q511	2SD2645-YD	POWER TRANSISTO	H. OUT
Q531	2SC2785/JH/-T	SI TRANSISTOR	
Q532	2SB709A/QR/-X	TRANSISTOR	
Q541	2SB709A/QR/-X	TRANSISTOR	
Q542	2SB709A/QR/-X	TRANSISTOR	
Q543	2SD1408/OY/-LB	POW TRANSISTOR	
Q622	2SD601A/QR/-X	TRANSISTOR	
Q623	UN2212-X	DIGI TRANSISTOR	
Q701	2SB709A/QR/-X	TRANSISTOR	
Q951	2SD1383K/AB/-X	TRANSISTOR	
Q971	2SA1208/ST/Z1-T	TRANSISTOR	

[AV-32320/M]

Symbol No.	Part No.	Part Name	Description
IC			
IC101	M52342SP	IC	
IC201	TM8812CSBNG3U68	IC	
△ IC421	LA7841	IC	
IC621	LA4485	IC	
IC702	AT24C08-32D503	IC	(SERVICE)
IC703	S-80840ANY-T	IC	
IC704	AN78L05-T	IC	
IC852	AN7809F	IC	
IC852	or BA17809T	IC	or BA17809T
IC853	AN7805F	IC	
IC853	or BA17805T	IC	or BA17805T
△ IC911	STR-G6624/F8	IC	
△ IC921	SE135N	IC	

OTHERS

CF001	QAX0349-001	C TRAP	
CF131	QAX0639-001Z	C TRAP	
CF161	QAX0642-001Z	C FILTER	
CN001	QGB1505J1-35	B TO B CONNE	
CN002	QGB1505J1-25	B TO B CONNE	
CN004	QGA2501C5-05Z	W TO B CONNE	
CN005	QGA2501C5-04Z	W TO B CONNE	
CN007	QGA2501C5-07Z	W TO B CONNE	
△ CN0PW	QMP0390-200-JS	POWER CORD	or QMP200-200-JC
△ CP932	ICP-N70-T	C PROTECTOR	
△ CP936	ICP-N70-T	C PROTECTOR	
△ F901	QMF0007-5R0J1	FUSE	or QMF51U1-5R0-J8
△ F905	QMF2034-5R0Z-J1	FUSE	5.0A
△ FC901	CEM002-001Z	FUSE CLIP	
FC902	CEM002-001Z	FUSE CLIP	
△ FR525	QRZ9017-4R7	F R	4.7Ω 1/4W J
△ FR527	QRZ9011-470	F R	47Ω 1/2W J
J601	QNN0349-002	PIN JACK	
K401	QQR0621-002Z	FERRITE BEADS	
K912	QQR0582-001Z	FERRITE BEADS	
K916	QQR0582-001Z	FERRITE BEADS	
K917	QQR0582-001Z	FERRITE BEADS	
K918	QQR0582-001Z	FERRITE BEADS	
K931	QQR0582-001Z	FERRITE BEADS	
K932	QQR0582-001Z	FERRITE BEADS	
K933	QQR0621-002Z	FERRITE BEADS	
K935	QQR0582-001Z	FERRITE BEADS	
LC601	QQR1199-001	EMI FILTER	
LC602	QQR1199-001	EMI FILTER	
LC603	QQR1199-001	EMI FILTER	
△ LF901	QQR1085-003	LINE FILTER	or QQR0527-003
△ PC921	TLP421F/D4-GR/	IC (PHOTO COUPLE	
△ RY951	QSK0086-001	RELAY	
△ RY951	or QSK0085-001	RELAY	
△ RY951	or QSK0130-001	RELAY	
S421	QSL4A13-C02	LEVER SWITCH	V. CENTER SW
SF101	QAX0723-001	SAW FILTER	
△ TH901	QAD0132-3R0	P THERMISTOR	
TU001	QAU0274-001	TUNER	
△ VA901	ERZV10V621CS	ZNR	
X701	QAX0717-001Z	CRYSTAL	

CRT SOCKET P.W. BOARD ASS'Y (SGE-3006A-M2)

Refer to PARTS LIST in page 43 for this P.W. board

AV SELECTOR P.W. BOARD ASS'Y (SGE-5003A-M2)

Symbol No.	Part No.	Part Name	Description
RESISTOR			
R5001	NRS463J-105X	MG R	1MΩ 1/16W J
R5002	NRS463J-104X	MG R	100kΩ 1/16W J
R5003	NRS463J-682X	MG R	6.8kΩ 1/16W J
R5004	NRS463J-153X	MG R	15kΩ 1/16W J
R5005	NRS463J-683X	MG R	68kΩ 1/16W J
R5006	NRS463J-684X	MG R	680kΩ 1/16W J
R5007	NRS463J-332X	MG R	3.3kΩ 1/16W J
R5008	NRS463J-332X	MG R	3.3kΩ 1/16W J
R5009	NRS463J-333X	MG R	33kΩ 1/16W J
R5010	NRS463J-392X	MG R	3.9kΩ 1/16W J
R5011	NRS463J-221X	MG R	22Ω 1/16W J
R5012	NRS463J-221X	MG R	22Ω 1/16W J
R5210	NRS463J-0R0X	MG R	0.Ω 1/16W J
R5211	NRS463J-332X	MG R	3.3kΩ 1/16W J
R5212	NRS463J-103X	MG R	10kΩ 1/16W J
R5213	NRS463J-102X	MG R	1kΩ 1/16W J
R5214	NRS463J-181X	MG R	18Ω 1/16W J
R5215	NRS463J-152X	MG R	1.5kΩ 1/16W J
R5216	NRS463J-182X	MG R	1.8kΩ 1/16W J
R5217	NRS463J-222X	MG R	2.2kΩ 1/16W J
R5240	NRS463J-0R0X	MG R	0.Ω 1/16W J
R5241	NRS463J-821X	MG R	82Ω 1/16W J
R5242	NRS463J-101X	MG R	10Ω 1/16W J
R5243	NRS463J-101X	MG R	10Ω 1/16W J
R5251	NRS463J-471X	MG R	47Ω 1/16W J
R5253	NRS463J-102X	MG R	1kΩ 1/16W J
R5254	NRS463J-102X	MG R	1kΩ 1/16W J
R5255	NRS463J-681X	MG R	68Ω 1/16W J
R5258	NRS463J-101X	MG R	10Ω 1/16W J
R5259	NRS463J-222X	MG R	2.2kΩ 1/16W J
R5261	NRS463J-101X	MG R	10Ω 1/16W J
R5262	NRS463J-222X	MG R	2.2kΩ 1/16W J
R5263	NRS463J-471X	MG R	47Ω 1/16W J
R5265	NRS463J-102X	MG R	1kΩ 1/16W J
R5269	NRS463J-681X	MG R	68Ω 1/16W J
R5270	NRS463J-102X	MG R	1kΩ 1/16W J
R5304	NRS463J-223X	MG R	22kΩ 1/16W J
R5305	NRS463J-223X	MG R	22kΩ 1/16W J
R5306	NRS463J-223X	MG R	22kΩ 1/16W J
R5307	NRS463J-223X	MG R	22kΩ 1/16W J
R5391	NRS463J-221X	MG R	22Ω 1/16W J
R5392	NRS463J-221X	MG R	22Ω 1/16W J
R5393	NRS463J-823X	MG R	82kΩ 1/16W J
R5394	NRS463J-823X	MG R	82kΩ 1/16W J
R5395	NRS463J-221X	MG R	22Ω 1/16W J
R5396	NRS463J-221X	MG R	22Ω 1/16W J
R5501	NRS463J-221X	MG R	22Ω 1/16W J
R5502	NRS463J-221X	MG R	22Ω 1/16W J
R5503	NRS463J-221X	MG R	22Ω 1/16W J
R5504	NRS463J-221X	MG R	22Ω 1/16W J
R5505	NRS463J-221X	MG R	22Ω 1/16W J
R5507	NRS463J-333X	MG R	33kΩ 1/16W J
R5508	NRS463J-153X	MG R	15kΩ 1/16W J
R5509	NRS463J-221X	MG R	22Ω 1/16W J
R5513	NRS463J-153X	MG R	15kΩ 1/16W J
R5514	NRS463J-103X	MG R	10kΩ 1/16W J
R5515	NRS463J-103X	MG R	10kΩ 1/16W J
R5516	NRS463J-103X	MG R	10kΩ 1/16W J
R5517	NRS463J-103X	MG R	10kΩ 1/16W J
R5519	NRS463J-750X	MG R	75Ω 1/16W J
R5520	NRS463J-750X	MG R	75Ω 1/16W J
R5522	NRS463J-224X	MG R	220kΩ 1/16W J
R5523	NRS463J-224X	MG R	220kΩ 1/16W J
R5541	NRS463J-221X	MG R	22Ω 1/16W J
R5542	NRS463J-221X	MG R	22Ω 1/16W J
R5543	NRS463J-221X	MG R	22Ω 1/16W J
R5544	NRS463J-331X	MG R	33Ω 1/16W J
R5545	NRS463J-331X	MG R	33Ω 1/16W J
R5546	NRS463J-103X	MG R	10kΩ 1/16W J

[AV-32320/M]

Symbol No.	Part No.	Part Name	Description
RESISTOR			
R5558	NRS463J-0ROX	MG R	0.0Ω 1/16W J
R5559	NRS463J-0ROX	MG R	0.0Ω 1/16W J

Symbol No.	Part No.	Part Name	Description
CAPACITOR			
C5001	QENCLHM-475Z	E CAP.	4.7μF 50V M
C5002	NCB31HK-562X	C CAP.	5600pF 50V K
C5003	NCB31HK-123X	C CAP.	0.012μF 50V K
C5004	QETNLEM-105Z	E CAP.	1μF 50V M
C5005	QETNLEM-475Z	E CAP.	4.7μF 50V M
C5006	QETNLEM-106Z	E CAP.	10μF 50V M
C5007	QETNLEM-475Z	E CAP.	4.7μF 50V M
C5008	QETNLCM-107Z	E CAP.	100μF 16V M
C5009	QENCLHM-475Z	E CAP.	4.7μF 50V M
C5010	QETNLEM-475Z	E CAP.	4.7μF 50V M
C5011	QENCLHM-475Z	E CAP.	4.7μF 50V M
C5012	NCB31HK-272X	C CAP.	2700pF 50V K
C5013	NCB31HK-473X	C CAP.	0.047μF 50V K
C5014	QENCLHM-475Z	E CAP.	4.7μF 50V M
C5015	QBTCLCK-106Z	TAN.CAP.	10μF 16V K
C5016	QETNLEM-105Z	E CAP.	1μF 50V M
C5017	QENCLHM-105Z	E CAP.	1μF 50V M
C5018	QETNLEM-105Z	E CAP.	1μF 50V M
C5019	NCB31HK-223X	C CAP.	0.022μF 50V K
C5020	NCB31HK-472X	C CAP.	4700pF 50V K
C5021	QENCLHM-475Z	E CAP.	4.7μF 50V M
C5022	NCB31EK-104X	C CAP.	0.1μF 25V K
C5023	NCB31HK-472X	C CAP.	4700pF 50V K
C5024	QENCLHM-475Z	E CAP.	4.7μF 50V M
C5025	NCB31EK-104X	C CAP.	0.1μF 25V K
C5026	QBTCLCK-335Z	TAN.CAP.	3.3μF 16V K
C5208	QETNLEM-476Z	E CAP.	47μF 25V M
C5204	NCB31HK-103X	C CAP.	0.01μF 50V K
C5205	QETNLEM-476Z	E CAP.	47μF 25V M
C5206	NCB31HK-103X	C CAP.	0.01μF 50V K
C5211	QENCLCM-106Z	E CAP.	10μF 16V M
C5212	NDC31HJ-101X	C CAP.	100pF 50V J
C5213	NDC31HJ-470X	C CAP.	47pF 50V J
C5214	NDC31HJ-181X	C CAP.	180pF 50V J
C5215	QETNLEM-474Z	E CAP.	0.47μF 50V M
C5226	NCB31HK-103X	C CAP.	0.01μF 50V K
C5231	QETNLCM-107Z	E CAP.	100μF 16V M
C5232	NCB31HK-103X	C CAP.	0.01μF 50V K
C5233	NCB31HK-103X	C CAP.	0.01μF 50V K
C5234	NCB31HK-103X	C CAP.	0.01μF 50V K
C5235	NCB31HK-103X	C CAP.	0.01μF 50V K
C5236	QETNLCM-107Z	E CAP.	100μF 16V M
C5237	NCB31HK-103X	C CAP.	0.01μF 50V K
C5238	QETNLCM-107Z	E CAP.	100μF 16V M
C5239	NCB31HK-103X	C CAP.	0.01μF 50V K
C5240	NCB31HK-103X	C CAP.	0.01μF 50V K
C5241	NCB31HK-103X	C CAP.	0.01μF 50V K
C5242	QETNLCM-107Z	E CAP.	100μF 16V M
C5243	NCB31HK-103X	C CAP.	0.01μF 50V K
C5246	NDC31HJ-181X	C CAP.	180pF 50V J
C5247	NCB31HK-103X	C CAP.	0.01μF 50V K
C5251	QETNLEM-476Z	E CAP.	47μF 25V M
C5252	NCB31HK-103X	C CAP.	0.01μF 50V K
C5255	NDC31HJ-390X	C CAP.	39pF 50V J
C5263	NDC31HJ-150X	C CAP.	15pF 50V J
C5391	QETNLEM-474Z	E CAP.	0.47μF 50V M
C5392	QETNLEM-474Z	E CAP.	0.47μF 50V M
C5501	QETNLEM-225Z	E CAP.	2.2μF 50V M
C5502	QETNLEM-225Z	E CAP.	2.2μF 50V M
C5504	QENCLCM-476Z	E CAP.	47μF 16V M
C5508	QETNLEM-476Z	E CAP.	47μF 25V M
C5509	NCB31HK-103X	C CAP.	0.01μF 50V K
C5531	NCB31HK-103X	C CAP.	0.01μF 50V K
C5532	QETNLEM-476Z	E CAP.	47μF 25V M

Symbol No.	Part No.	Part Name	Description
CAPACITOR			
C5533	NCB31HK-103X	C CAP.	0.01μF 50V K
C5534	QENCLCM-476Z	E CAP.	47μF 16V M

Symbol No.	Part No.	Part Name	Description
COIL			
L5202	QQL244K-150Z	COIL	15μH K
L5211	QQL244K-4R7Z	COIL	4.7μH K
L5241	QQL244K-4R7Z	COIL	4.7μH K
L5242	QQL244K-4R7Z	COIL	4.7μH K
L5243	QQL244K-4R7Z	COIL	4.7μH K
L5244	QQL244K-4R7Z	COIL	4.7μH K
L5245	QQL244K-4R7Z	COIL	4.7μH K
L5261	QQL244K-150Z	COIL	15μH K

Symbol No.	Part No.	Part Name	Description
DIODE			
D5391	MTZJ9.1C-T2	Z DIODE	
D5392	MTZJ9.1C-T2	Z DIODE	
D5501	MTZJ9.1C-T2	Z DIODE	
D5502	MTZJ9.1C-T2	Z DIODE	
D5503	MTZJ9.1C-T2	Z DIODE	
D5504	MTZJ9.1C-T2	Z DIODE	
D5505	MTZJ9.1C-T2	Z DIODE	
D5507	MTZJ9.1C-T2	Z DIODE	
D5511	MTZJ9.1C-T2	Z DIODE	
D5512	MTZJ9.1C-T2	Z DIODE	
D5513	MTZJ9.1C-T2	Z DIODE	

Symbol No.	Part No.	Part Name	Description
TRANSISTOR			
Q5211	2SD601A/QR/-X	TRANSISTOR	
Q5212	2SD601A/QR/-X	TRANSISTOR	
Q5251	2SD601A/QR/-X	TRANSISTOR	
Q5252	2SB709A/QR/-X	TRANSISTOR	
Q5253	2SD601A/QR/-X	TRANSISTOR	
Q5261	2SD601A/QR/-X	TRANSISTOR	
Q5262	2SD601A/QR/-X	TRANSISTOR	
Q5263	2SB709A/QR/-X	TRANSISTOR	
Q5384	DTC323TK-X	DIGI TRANSISTOR	
Q5385	DTC323TK-X	DIGI TRANSISTOR	
Q5386	DTC323TK-X	DIGI TRANSISTOR	
Q5387	DTC323TK-X	DIGI TRANSISTOR	

Symbol No.	Part No.	Part Name	Description
IC			
IC5001	CXA2134Q	IC	
IC5201	TC90A49P	IC	
IC5501	TA1218AN	IC	

Symbol No.	Part No.	Part Name	Description
OTHERS			
CN5001	QGB1505K1-35	B TO B CONNE	
CN5006	QGA2501C5-05Z	W TO B CONNE	
J5501	QNZ0531-001	AV JACK	
J5503	QNN0848-001	PIN JACK	

FRONT AV IN P.W. BOARD ASS'Y (SGE-6002A-M2)

Refer to PARTS LIST in page 46 for this P.W. board

FRONT CONTROL P.W. BOARD ASS'Y (SGE-7002A-M2)

Refer to PARTS LIST in page 46 for this P.W. board

[AV-32320/R]

PRINTED WIRING BOARD PARTS LIST

MAIN P.W. BOARD ASS'Y (SGE-1049A-M2)

Symbol No.	Part No.	Part Name	Description
RESISTOR			
R002	NRS463J-0R0X	MG R	0.0Ω 1/16W J
R003	NRS463J-101X	MG R	100Ω 1/16W J
R004	NRS463J-101X	MG R	100Ω 1/16W J
R005	NRS463J-0R0X	MG R	0.0Ω 1/16W J
R008	NRS463J-820X	MG R	82Ω 1/16W J
R009	NRS463J-682X	MG R	6.8kΩ 1/16W J
R101	NRS463J-562X	MG R	5.6kΩ 1/16W J
R102	NRS463J-182X	MG R	1.8kΩ 1/16W J
R103	QRE121J-101Y	C R	100Ω 1/2W J
R104	NRS463J-180X	MG R	18Ω 1/16W J
R105	NRS463J-270X	MG R	27Ω 1/16W J
R111	NRS463J-394X	MG R	390kΩ 1/16W J
R112	NRS463J-334X	MG R	330kΩ 1/16W J
R113	NRS463J-101X	MG R	100Ω 1/16W J
R115	NRS463J-101X	MG R	100Ω 1/16W J
R116	NRS463J-680X	MG R	68Ω 1/16W J
R117	NRS463J-273X	MG R	27kΩ 1/16W J
R118	NRS463J-223X	MG R	22kΩ 1/16W J
R131	NRS463J-102X	MG R	1kΩ 1/16W J
R132	NRS463J-331X	MG R	330Ω 1/16W J
R133	NRS463J-821X	MG R	820Ω 1/16W J
R134	NRS463J-561X	MG R	560Ω 1/16W J
R135	NRS463J-102X	MG R	1kΩ 1/16W J
R161	NRS463J-332X	MG R	3.3kΩ 1/16W J
R162	NRS463J-0R0X	MG R	0.0Ω 1/16W J
R163	NRS463J-223X	MG R	22kΩ 1/16W J
R164	NRS463J-102X	MG R	1kΩ 1/16W J
R165	NRS463J-223X	MG R	22kΩ 1/16W J
R166	NRS463J-103X	MG R	10kΩ 1/16W J
R167	NRS463J-102X	MG R	1kΩ 1/16W J
R168	NRS463J-101X	MG R	100Ω 1/16W J
R169	NRS463J-561X	MG R	560Ω 1/16W J
R171	NRS463J-103X	MG R	10kΩ 1/16W J
R201	NRS463J-223X	MG R	22kΩ 1/16W J
R212	NRS463J-272X	MG R	2.7kΩ 1/16W J
R215	NRS463J-562X	MG R	5.6kΩ 1/16W J
R216	NRS463J-562X	MG R	5.6kΩ 1/16W J
R217	NRS463J-102X	MG R	1kΩ 1/16W J
R222	NRS463J-0R0X	MG R	0.0Ω 1/16W J
R227	NRS463J-104X	MG R	100kΩ 1/16W J
R231	NRS463J-182X	MG R	1.8kΩ 1/16W J
R237	NRS463J-392X	MG R	3.9kΩ 1/16W J
R238	NRS463J-473X	MG R	47kΩ 1/16W J
R241	NRS463J-332X	MG R	3.3kΩ 1/16W J
R243	NRS463J-152X	MG R	1.5kΩ 1/16W J
R281	NRS463J-182X	MG R	1.8kΩ 1/16W J
R282	NRS463J-392X	MG R	3.9kΩ 1/16W J
R283	NRS463J-681X	MG R	680Ω 1/16W J
R286	NRS463J-472X	MG R	4.7kΩ 1/16W J
R287	NRS463J-101X	MG R	100Ω 1/16W J
R288	NRS463J-471X	MG R	470Ω 1/16W J
R289	NRS463J-154X	MG R	150kΩ 1/16W J
R290	NRS463J-561X	MG R	560Ω 1/16W J
R292	NRS463J-124X	MG R	120kΩ 1/16W J
R293	NRS463J-224X	MG R	220kΩ 1/16W J
R301	NRS463J-222X	MG R	2.2kΩ 1/16W J
R302	NRS463J-222X	MG R	2.2kΩ 1/16W J
R303	NRS463J-222X	MG R	2.2kΩ 1/16W J
R304	NRS463J-101X	MG R	100Ω 1/16W J
R305	NRS463J-101X	MG R	100Ω 1/16W J
R306	NRS463J-101X	MG R	100Ω 1/16W J
R354	NRS463J-0R0X	MG R	0.0Ω 1/16W J
R355	NRS463J-0R0X	MG R	0.0Ω 1/16W J
R356	NRS463J-123X	MG R	12kΩ 1/16W J
R359	NRS463J-103X	MG R	10kΩ 1/16W J
R360	NCB31HK-103X	C CAP	0.01μF 50V K
R421	NRS463J-822X	MG R	8.2kΩ 1/16W J
R423	NRS463J-393X	MG R	39kΩ 1/16W J
R424	NRS463J-393X	MG R	39kΩ 1/16W J
R426	NRS463J-183X	MG R	18kΩ 1/16W J
R427	QRT029J-1R5	MF R	1.5Ω 2W J

Symbol No.	Part No.	Part Name	Description
RESISTOR			
R429	NRS463J-272X	MG R	2.7kΩ 1/16W J
R430	NRS463J-0R0X	MG R	0.0Ω 1/16W J
R431	NRS463J-152X	MG R	1.5kΩ 1/16W J
R432	NRS463J-101X	MG R	100Ω 1/16W J
R433	NRS463J-681X	MG R	680Ω 1/16W J
R434	QRL029J-181	OM R	180Ω 2W J
R435	QRE121J-102Y	C R	1kΩ 1/2W J
R441	NRS463J-0R0X	MG R	0.0Ω 1/16W J
R447	NRS463J-104X	MG R	100kΩ 1/16W J
R448	NRS463J-473X	MG R	47kΩ 1/16W J
R449	NRS463J-103X	MG R	10kΩ 1/16W J
R501	NRS463J-0R0X	MG R	0.0Ω 1/16W J
R502	NRS463J-271X	MG R	270Ω 1/16W J
R503	QRE121J-103Y	C R	10kΩ 1/2W J
R504	QRL029J-102	OM R	1kΩ 3W J
R505	QRL029J-102	OM R	1kΩ 3W J
R511	QRE121J-220Y	C R	22Ω 1/2W J
R512	QRE121J-681Y	C R	680Ω 1/2W J
R523	QRJ146J-333X	C R	33kΩ 1/4W J
R526	QRE121J-272Y	C R	2.7kΩ 1/2W J
R527	QRE121J-154Y	C R	150kΩ 1/2W J
R528	QRE121J-154Y	C R	150kΩ 1/2W J
R529	NRS463J-331X	MG R	330Ω 1/16W J
R531	QRJ146J-391X	C R	390Ω 1/4W J
R532	NRS463J-273X	MG R	27kΩ 1/16W J
R533	NRS463J-123X	MG R	12kΩ 1/16W J
R534	NRS463J-123X	MG R	12kΩ 1/16W J
△ R535	NRV402D-222X	MF R	2.2kΩ 1/10W D
△ R537	NRV402D-752X	MF R	7.5kΩ 1/10W D
R538	NRS463J-333X	MG R	33kΩ 1/16W J
R543	QRE121J-122Y	C R	1.2kΩ 1/2W J
R544	QRE121J-392Y	C R	3.9kΩ 1/2W J
R545	QRE121J-822Y	C R	8.2kΩ 1/2W J
R546	NRS463J-331X	MG R	330Ω 1/16W J
R547	NRS463J-104X	MG R	100kΩ 1/16W J
R548	QRE121J-152Y	C R	1.5kΩ 1/2W J
R553	QRL029J-180	OM R	180Ω 3W J
△ R554	QRK126J-150X	C R	15Ω 1/2W J
R555	QRX029J-3R3	MF R	3.3Ω 2W J
R601	NRS463J-750X	MG R	75Ω 1/16W J
R602	NRS463J-750X	MG R	75Ω 1/16W J
R603	NRS463J-750X	MG R	75Ω 1/16W J
R613	NRS463J-0R0X	MG R	0.0Ω 1/16W J
R610	NRS463J-0R0X	MG R	0.0Ω 1/16W J
R611	NRS463J-0R0X	MG R	0.0Ω 1/16W J
R621	NRS463J-682X	MG R	6.8kΩ 1/16W J
R622	NRS463J-681X	MG R	680Ω 1/16W J
R623	NRS463J-682X	MG R	6.8kΩ 1/16W J
R624	NRS463J-681X	MG R	680Ω 1/16W J
R626	NRS463J-223X	MG R	22kΩ 1/16W J
R627	NRS463J-223X	MG R	22kΩ 1/16W J
R631	NRS463J-333X	MG R	33kΩ 1/16W J
R632	NRS463J-223X	MG R	22kΩ 1/16W J
R638	NRS463J-0R0X	MG R	0.0Ω 1/16W J
R639	NRS463J-0R0X	MG R	0.0Ω 1/16W J
R651	NRS463J-0R0X	MG R	0.0Ω 1/16W J
R652	NRS463J-0R0X	MG R	0.0Ω 1/16W J
R653	NRS463J-0R0X	MG R	0.0Ω 1/16W J
R700	NRS463J-102X	MG R	1kΩ 1/16W J
R701	NRS463J-103X	MG R	10kΩ 1/16W J
R702	NRS463J-102X	MG R	1kΩ 1/16W J
R704	NRS463J-472X	MG R	4.7kΩ 1/16W J
R705	NRS463J-472X	MG R	4.7kΩ 1/16W J
R706	NRS463J-472X	MG R	4.7kΩ 1/16W J
R707	NRS463J-103X	MG R	10kΩ 1/16W J
R708	NRS463J-101X	MG R	100Ω 1/16W J
R709	NRS463J-101X	MG R	100Ω 1/16W J
R715	NRS463J-103X	MG R	10kΩ 1/16W J
R718	NRS463J-223X	MG R	22kΩ 1/16W J
R721	NRS463J-102X	MG R	1kΩ 1/16W J
R728	NRS463J-102X	MG R	1kΩ 1/16W J

[AV-32320/R]

Symbol No.	Part No.	Part Name	Description
RESISTOR			
R729	NRSA63J-223X	MG R	22kΩ 1/16W J
R731	NRSA63J-101X	MG R	100Ω 1/16W J
R732	NRSA63J-101X	MG R	100Ω 1/16W J
R733	NRSA63J-472X	MG R	4.7kΩ 1/16W J
R734	NRSA63J-472X	MG R	4.7kΩ 1/16W J
R739	NRSA63J-0R0X	MG R	0.0Ω 1/16W J
R740	NRSA63J-103X	MG R	10kΩ 1/16W J
R764	NRSA63J-221X	MG R	220Ω 1/16W J
R765	NRSA63J-221X	MG R	220Ω 1/16W J
R766	NRSA63J-221X	MG R	220Ω 1/16W J
R767	NRSA63J-221X	MG R	220Ω 1/16W J
R769	NRSA63J-682X	MG R	6.8kΩ 1/16W J
R772	NRSA63J-103X	MG R	10kΩ 1/16W J
R811	NRSA63J-473X	MG R	47kΩ 1/16W J
R816	NRSA63J-124X	MG R	120kΩ 1/16W J
R821	NRSA63J-184X	MG R	180kΩ 1/16W J
R822	NRSA63J-0R0X	MG R	0.0Ω 1/16W J
R827	NRSA63J-102X	MG R	1kΩ 1/16W J
R855	QRG09J-100	OM R	10Ω 3W J
R857	QRL029J-270	OM R	27Ω 2W J
R858	QRL029J-180	OM R	18Ω 2W J
R901	QRF074K-R47	UNF R	0.47Ω 7W K
R909	QRG01GJ-470	OM R	47Ω 1W J
R911	QRE121J-223Y	C R	22kΩ 1/2W J
R912	QRT029J-R22	MF R	0.22Ω 2W J
R913	QRT029J-R22	MF R	0.22Ω 2W J
R914	QRK126J-681X	C R	680Ω 1/2W J
R915	QRK129J-6R8	C R	6.8Ω 1/2W J
R917	QRK126J-332X	C R	3.3kΩ 1/2W J
R918	QRE121J-222Y	C R	2.2kΩ 1/2W J
R919	QRE121J-684Y	C R	680kΩ 1/2W J
R924	QRE121J-222Y	C R	2.2kΩ 1/2W J
R930	QRE121J-223Y	C R	2.2kΩ 1/2W J
R939	QRT09J-2R2	MF R	2.2Ω 3W J
R940	QRE121J-181Y	C R	180Ω 1/2W J
R941	QRL029J-183	OM R	18kΩ 2W J
R950	NRSA63J-0R0X	MG R	0.0Ω 1/16W J
R951	NRSA63J-473X	MG R	47kΩ 1/16W J
R952	NRSA63J-102X	MG R	1kΩ 1/16W J
R953	QRE121J-820Y	C R	82Ω 1/2W J
R973	QRE121J-272Y	C R	2.7kΩ 1/2W J
R975	QRE121J-223Y	C R	2.2kΩ 1/2W J
R977	QRE121J-473Y	C R	47kΩ 1/2W J
R978	NRSA63J-333X	MG R	33kΩ 1/16W J
R979	QRT09J-1R2	MF R	1.2Ω 2W J
R980	QRT09J-1R2	MF R	1.2Ω 2W J
R998	QRZ9041-275	C R	2.7MΩ 1/2W K
R999	QRE121J-121Y	C R	120Ω 1/2W J

Symbol No.	Part No.	Part Name	Description
CAPACITOR			
C001	QETN1HM-475Z	E CAP.	4.7μF 50V M
C003	QETN1HM-106Z	E CAP.	10μF 50V M
C004	QETN1CM-108Z	E CAP.	1000pF 16V M
C006	QETN1EM-476Z	E CAP.	47μF 25V M
C101	NCB31HK-103X	C CAP.	0.01μF 50V K
C102	NCB31HK-103X	C CAP.	0.01μF 50V K
C104	NCB31HK-103X	C CAP.	0.01μF 50V K
C105	NCB31HK-103X	C CAP.	0.01μF 50V K
C106	QETN1EM-476Z	E CAP.	47μF 25V M
C107	NCB31HK-103X	C CAP.	0.01μF 50V K
C113	NCB31HK-103X	C CAP.	0.01μF 50V K
C114	NCB31HK-103X	C CAP.	0.01μF 50V K
C116	QFVFLHJ-224Z	MF CAP.	0.22μF 50V J
C117	QETN1EM-476Z	E CAP.	47μF 25V M
C118	NCB31HK-103X	C CAP.	0.01μF 50V K
C119	NDC31HJ-681X	C CAP.	680pF 50V J
C120	QETN1HM-474Z	E CAP.	0.47μF 50V M
C124	NCB31HK-103X	C CAP.	0.01μF 50V K
C131	NCB31HK-103X	C CAP.	0.01μF 50V K
C161	QETN1HM-106Z	E CAP.	10μF 50V M
C163	NDC31HJ-470X	C CAP.	47pF 50V J
C164	NDC31HJ-470X	C CAP.	47pF 50V J
C165	NCB31HK-103X	C CAP.	0.01μF 50V K
C166	NCB31HK-103X	C CAP.	0.01μF 50V K
C202	QETN1HM-105Z	E CAP.	1μF 50V M

Symbol No.	Part No.	Part Name	Description
CAPACITOR			
C203	NCB31HK-152X	C CAP.	1500pF 50V K
C211	QENCLCM-106Z	E CAP.	10μF 16V M
C212	NDC31HJ-100X	C CAP.	10pF 50V J
C221	QETN1HM-106Z	E CAP.	10μF 50V M
C222	QFVFLHJ-104Z	MF CAP.	0.1μF 50V J
C223	NCB31HK-103X	C CAP.	0.01μF 50V K
C233	NDC31HJ-680X	C CAP.	68pF 50V J
C237	NCB31HK-103X	C CAP.	0.01μF 50V K
C241	NCB31HK-103X	C CAP.	0.01μF 50V K
C242	QETN1HM-225Z	E CAP.	2.2μF 50V M
C243	QETN1CM-107Z	E CAP.	100μF 16V M
C244	NCB31HK-103X	C CAP.	0.01μF 50V K
C281	QFVFLHJ-474Z	MF CAP.	0.47μF 50V J
C282	QETN1CM-107Z	E CAP.	100μF 16V M
C283	NCB31HK-103X	C CAP.	0.01μF 50V K
C284	QETN1HM-225Z	E CAP.	2.2μF 50V M
C285	NCB31HK-103X	C CAP.	0.01μF 50V K
C286	QETN1HM-106Z	E CAP.	10μF 50V M
C287	QETN1CM-107Z	E CAP.	100μF 16V M
C288	NCB31HK-103X	C CAP.	0.01μF 50V K
C352	QETN1CM-336Z	E CAP.	33μF 16V M
C354	NCB31HK-103X	C CAP.	0.01μF 50V K
C391	QETN1CM-107Z	E CAP.	100μF 16V M
C392	NCB31HK-103X	C CAP.	0.01μF 50V K
C422	QFLC2AJ-102Z	M CAP.	1000pF 100V J
C424	QETN1VM-107Z	E CAP.	100μF 35V M
C425	QETN1VM-477Z	E CAP.	470μF 35V M
C427	QETN1HM-105Z	E CAP.	1μF 50V M
C428	QETN1EM-228	E CAP.	2200μF 25V M
C431	QFLC2AK-563Z	M CAP.	0.056μF 100V K
C432	QETN1EM-476Z	E CAP.	47μF 25V M
C433	QETN1EM-476Z	E CAP.	47μF 25V M
C435	NCB31HK-183X	C CAP.	0.018μF 50V K
C440	QCS32HJ-220Z	C CAP.	22pF 500V J
C501	QCB32HK-151Z	C CAP.	150pF 500V K
C502	QCB32HK-331Z	C CAP.	330pF 500V K
C503	QEHRCM-105Z	E CAP.	1μF 160V M
C504	QEZO03-107	E CAP.	100μF 160V M
C507	QEM6LHK-475Z	E CAP.	4.7μF 50V K
C508	QEM6LHK-475Z	E CAP.	4.7μF 50V K
C510	QFZ0196-532	MPP CAP.	5300pF 1.5kVH±3%
C510	or QFZ0200-532	MPP CAP.	5300pF 1.5kVH±3%
C513	QFZ0198-133	MPP CAP.	0.013μF 1.5kVH±3%
C514	QFP32GJ-183	PP CAP.	0.018μF 400V J
C515	QFZ0197-564	MPP CAP.	0.56μF 250V J
C515	or QFZ0199-564	MPP CAP.	0.56μF 250V J
C516	QCB32HK-561Z	C CAP.	560pF 500V K
C521	QETN1EM-106Z	E CAP.	10μF 250V M
C523	QEHRLVM-108Z	E CAP.	1000μF 35V M
C525	QETN1VM-107Z	E CAP.	100μF 35V M
C526	QFV21HJ-824Z	MF CAP.	0.82μF 50V J
C527	QFLC2AJ-103Z	M CAP.	0.01μF 100V J
C531	QCB32HK-102Z	C CAP.	1000pF 500V K
C533	QETN1HM-106Z	E CAP.	10μF 50V M
C601	QETN1EM-476Z	E CAP.	47μF 25V M
C602	QETN1EM-476Z	E CAP.	47μF 25V M
C603	QETN1EM-476Z	E CAP.	47μF 25V M
C609	QFVFLHJ-104Z	MF CAP.	0.1μF 50V J
C610	QFVFLHJ-104Z	MF CAP.	0.1μF 50V J
C611	QFVFLHJ-104Z	MF CAP.	0.1μF 50V J
C621	NCB31HK-102X	C CAP.	1000pF 50V K
C622	NCF21CZ-105X	C CAP.	1μF 16V Z
C623	NCB31HK-102X	C CAP.	1000pF 50V K
C624	NCF21CZ-105X	C CAP.	1μF 16V Z
C625	QETN1CM-107Z	E CAP.	100μF 16V M
C626	QETN1EM-108Z	E CAP.	1000μF 25V M
C627	QETN1HM-474Z	E CAP.	0.47μF 50V M
C628	QETN1EM-108Z	E CAP.	1000μF 25V M
C629	QETN1EM-108Z	E CAP.	1000μF 25V M
C636	QETN1HM-105Z	E CAP.	1μF 50V M
C637	QETN1HM-105Z	E CAP.	1μF 50V M
C700	NCB31HK-102X	C CAP.	1000pF 50V K
C701	QETN1HM-106Z	E CAP.	10μF 50V M
C702	QETN1HM-106Z	E CAP.	10μF 50V M
C703	QETN1HM-106Z	E CAP.	10μF 50V M
C704	QETN1CM-107Z	E CAP.	100μF 16V M
C705	NCB31HK-103X	C CAP.	0.01μF 50V K

[AV-32320/R]

Symbol No.	Part No.	Part Name	Description
CAPACITOR			
C706	QETNLM-105Z	E CAP.	1 μ F 50V M
C708	NDC31HJ-220X	C CAP.	22pF 50V J
C709	NDC31HJ-220X	C CAP.	22pF 50V J
C711	QETNLCM-107Z	E CAP.	100 μ F 16V M
C712	NCB31HK-103X	C CAP.	0.01 μ F 50V K
C716	QETNLM-106Z	E CAP.	10 μ F 50V M
C728	NCB31HK-103X	C CAP.	0.01 μ F 50V K
C807	QETNLAM-477Z	E CAP.	470 μ F 10V M
C815	NCB31HK-103X	C CAP.	0.01 μ F 50V K
C853	QETNLCM-227Z	E CAP.	220 μ F 16V M
C854	QETNLCM-227Z	E CAP.	220 μ F 16V M
C856	QETNLCM-227Z	E CAP.	220 μ F 16V M
C857	QETNLCM-477Z	E CAP.	470 μ F 16V M
△ C901	QFZ9067-104	MF CAP.	0.1 μ FAC275V M
△ C902	QFZ9075-473	MPP CAP.	0.047 μ FAC275V K
△ C902	or QFZ9072-473	MF CAP.	0.047 μ FAC275V K
△ C904	QCZ9054-102	C CAP.	1000pFAC250V Z
△ C905	QCZ9054-102	C CAP.	1000pFAC250V Z
△ C906	QCZ9054-102	C CAP.	1000pFAC250V Z
△ C907	QEZO169-477	E CAP.	470 μ F 200V M
△ C908	QCZ9054-102	C CAP.	1000pFAC250V M
△ C908	or QCZ9079-102	C CAP.	1000pFAC250V M
C912	QCZ0340-22Z	C CAP.	2200pF 2kV K
C913	QFLCHJ-471Z	M CAP.	470pF 50V J
C914	QETNLM-107Z	E CAP.	100 μ F 50V M
C916	NDC31HJ-331X	C CAP.	330pF 50V J
C917	NCB31HK-182X	C CAP.	1800pF 50V K
C918	NCB21HK-104X	C CAP.	0.1 μ F 50V K
C919	QFP32GJ-103	PP CAP.	0.01 μ F 400V J
C931	QEZO03-107	E CAP.	100 μ F 160V M
C933	QETNLCM-108Z	E CAP.	1000 μ F 16V M
C934	NDC31HJ-151X	C CAP.	150pF 50V J
C935	QETNLEM-108Z	E CAP.	1000 μ F 25V M
C937	QCZ0340-102	C CAP.	1000pF 2kV K
C938	QETNLCM-477Z	E CAP.	470 μ F 16V M
C939	QCB32HK-152Z	C CAP.	1500pF 500V K
C941	QCB32HK-102Z	C CAP.	1000pF 500V K
C942	QEHRLHM-105Z	E CAP.	1 μ F 50V M
C951	QETNLEM-477Z	E CAP.	470 μ F 25V M
C952	QETNLCM-227Z	E CAP.	220 μ F 16V M
C971	QETNLCM-107Z	E CAP.	100 μ F 16V M
C972	QETNLEM-476Z	E CAP.	47 μ F 25V M
C973	QETNLM-106Z	E CAP.	10 μ F 50V M
△ C997	QCZ9052-102	C CAP.	1000pFAC125V M
△ C998	QCZ9074-103	C CAP.	0.01 μ FAC250V M
△ C999	QCZ9074-103	C CAP.	0.01 μ FAC250V M

Symbol No.	Part No.	Part Name	Description
TRANSF			
T111	QQR0907-001	IFT	
T501	CE42034-002	HOR DRIVE TRANS	
△ T502	QQH0121-001	FB TRANSF	
△ T921	QOS0138-001	SW TRANSF	
△ T951	QQT0355-001	POWER TRANSF	or QQT0372-001

Symbol No.	Part No.	Part Name	Description
COIL			
L001	QQL244K-560Z	COIL	5 μ H K
L101	QQL2014-R2Z	INDUCTOR	
L113	QQL244K-4R7Z	COIL	4.7 μ H K
L131	QQL244K-150Z	COIL	15 μ H K
L161	QQL244K-220Z	INDUCTOR	
L232	QQL244K-560Z	COIL	5 μ H K
L241	QQL244K-220Z	INDUCTOR	
L391	QQL244K-220Z	INDUCTOR	
△ L511	CE41029-00A	LINEARITY COIL	
△ L512	QQL2036-821	INDUCTOR	or QQL2027-821
△ L521	QQL2026-540	INDUCTOR	
L701	QQL244K-220Z	INDUCTOR	
L702	QQL244K-220Z	INDUCTOR	
L703	QQL244K-220Z	INDUCTOR	
L704	QQL244K-220Z	INDUCTOR	
L705	QQL244K-220Z	INDUCTOR	
L931	QQL26AK-470Z	COIL	47 μ H K
L933	QQL26AK-470Z	COIL	47 μ H K
L940	QQR0582-001Z	FERRITE BEADS	

Symbol No.	Part No.	Part Name	Description
DIODE			
D305	1SS133-T2	SI DIODE	
D306	1SS133-T2	SI DIODE	
D307	1SS133-T2	SI DIODE	
D308	1SS133-T2	SI DIODE	
D309	1SS133-T2	SI DIODE	
D310	1SS133-T2	SI DIODE	
D352	MTZJ9-1C-T2	Z DIODE	
D353	1SS133-T2	SI DIODE	
D354	MTZJ3-3A-T2	Z DIODE	
D421	1N4003-T2	SI DIODE	
D422	MTZJ75-T2	Z DIODE	
D432	1SS133-T2	SI DIODE	
D501	RH3G-F1	SI DIODE	
△ D502	RU3AM-LFC4	SI DIODE	
D521	RH1S-T3	SI DIODE	
D523	RGP10J-5025-T3	SI DIODE	
D525	1SS81-T5	SI DIODE	
D526	1SS81-T5	SI DIODE	
D527	1SR124-400A-T2	SI DIODE	
D529	MTZJ5-1C-T2	Z DIODE	
△ D531	MA4068N/Z1/-T2	Z DIODE	
D535	1SS133-T2	SI DIODE	
D537	1SR35-400A-T2	SI DIODE	
D601	MTZJ9-1C-T2	Z DIODE	
D602	MTZJ9-1C-T2	Z DIODE	
D603	MTZJ9-1C-T2	Z DIODE	
D700	MTZJ5-6B-T2	Z DIODE	
D701	1SS133-T2	SI DIODE	
D703	MTZJ5-6B-T2	Z DIODE	
D704	MTZJ5-6B-T2	Z DIODE	
D705	1SS133-T2	SI DIODE	
D706	MTZJ5-6B-T2	Z DIODE	
D707	MTZJ5-6B-T2	Z DIODE	
D708	MTZJ5-6B-T2	Z DIODE	
D709	MTZJ5-6B-T2	Z DIODE	
D723	MTZJ5-6B-T2	Z DIODE	
△ D901	GS1B460-S1	BRIDGE DIODE	
D910	MA700A-T2	SB DIODE	
△ D911	RGP10J-5025-T3	SI DIODE	
△ D912	RGP10J-5025-T3	SI DIODE	
△ D913	RGP10J-5025-T3	SI DIODE	
D914	1SS133-T2	SI DIODE	
D915	SARS01-T2	SI DIODE	
D917	MTZJ30A-T2	Z DIODE	
D918	MTZJ5-1C-T2	Z DIODE	
D920	1SS133-T2	SI DIODE	
D931	RU30A-F1	SI DIODE	
D933	RU3YX-LFC4	SI DIODE	
D935	RU3YX-LFC4	SI DIODE	
D941	MTZJ33A-T2	Z DIODE	
D945	MTZJ9-1B-T2	Z DIODE	
D952	1SS133-T2	SI DIODE	
D953	1SS133-T2	SI DIODE	
D954	1N4002G-T2	SI DIODE	
D955	1N4002G-T2	SI DIODE	
D956	1N4002G-T2	SI DIODE	
D957	1N4002G-T2	SI DIODE	
D972	MTZJ15C-T2	Z DIODE	
D973	1SS133-T2	SI DIODE	

Symbol No.	Part No.	Part Name	Description
TRANSISTOR			
Q001	UN2212-X	DIGI TRANSISTOR	
Q101	2SC5083/L-P/-T	TRANSISTOR	
Q131	2SB709A/QR/-X	TRANSISTOR	
Q161	2SD601A/QR/-X	TRANSISTOR	
Q211	2SD601A/QR/-X	TRANSISTOR	
Q232	2SD601A/QR/-X	TRANSISTOR	
Q233	2SD601A/QR/-X	TRANSISTOR	
Q352	2SD601A/QR/-X	TRANSISTOR	
Q431	UN2212-X	DIGI TRANSISTOR	
Q501	2SC4212/Z1/	TRANSISTOR	
△ Q511	2SD2645-YD	POWER TRANSISTO	H. OUT
Q531	2SC2785/JH/-T	SI TRANSISTOR	
Q532	2SB709A/QR/-X	TRANSISTOR	
Q541	2SB709A/QR/-X	TRANSISTOR	
Q542	2SB709A/QR/-X	TRANSISTOR	
Q543	2SD1408/OY/-LB	POW TRANSISTOR	
Q622	2SD601A/QR/-X	TRANSISTOR	
Q623	UN2212-X	DIGI TRANSISTOR	
Q701	2SB709A/QR/-X	TRANSISTOR	
Q951	2SD1383K/AB/-X	TRANSISTOR	
Q971	2SA1208/ST/Z1-T	TRANSISTOR	

[AV-32320/R]

Symbol No.	Part No.	Part Name	Description
IC			
IC101	M52342SP	IC	
IC201	TM8812CSBNG3U68	IC	
△ IC421	LA7841	IC	
△ IC621	LA4485	IC	
IC702	AT24C08-32D50B	IC	(SERVICE)
IC708	S-80840ANY-T	IC	
IC704	AN78L05-T	IC	
IC852	AN7809F	IC	
IC852	or BA17809T	IC	or BA17809T
IC853	AN7805F	IC	
IC853	or BA17805T	IC	or BA17805T
△ IC911	STR-G6624/F8	IC	
△ IC921	SE135N	I C	
OTHERS			
CF001	QAX0349-001	C TRAP	
CF131	QAX0639-001Z	C TRAP	
CF161	QAX0642-001Z	C FILTER	
CN001	QGB1505J1-35	B TO B CONNE	
CN002	QGB1505J1-25	B TO B CONNE	
CN004	QGA2501C5-05Z	W TO B CONNE	
CN005	QGA2501C5-04Z	W TO B CONNE	
CN007	QGA2501C5-07Z	W TO B CONNE	
△ CN09W	QMPD890-200-J5	POWER CORD	or QMPD200-200-JC
△ CP932	ICP-N70-T	C PROTECTOR	
△ CP936	ICP-N70-T	C PROTECTOR	
△ F901	QMF0007-5R0J1	FUSE	or QMF51U1-5R0-J8
△ F905	QMF2034-5R0Z-J1	FUSE	5.0A
△ FC901	CEM002-001Z	FUSE CLIP	
△ FC902	CEM002-001Z	FUSE CLIP	
△ FR525	QRZ9017-4R7	F R	4.7 Ω 1/4W J
△ FR527	QRZ9011-470	F R	47Ω 1/2W J
J601	QNN0349-002	PIN JACK	
K401	QQR0621-002Z	FERRITE BEADS	
K912	QQR0582-001Z	FERRITE BEADS	
K916	QQR0582-001Z	FERRITE BEADS	
K917	QQR0582-001Z	FERRITE BEADS	
K918	QQR0582-001Z	FERRITE BEADS	
K931	QQR0582-001Z	FERRITE BEADS	
K932	QQR0582-001Z	FERRITE BEADS	
K933	QQR0621-002Z	FERRITE BEADS	
K935	QQR0582-001Z	FERRITE BEADS	
LC601	QQR1199-001	EMI FILTER	
LC602	QQR1199-001	EMI FILTER	
LC608	QQR1199-001	EMI FILTER	
△ LF901	QQR1085-003	LINE FILTER	or QQR0527-003
△ PC921	TLP421F/D4-GR	IC (PHOTO COUPLE	
△ RY951	QSK0086-001	RELAY	
△ RY951	or QSK0085-001	RELAY	
△ RY951	or QSK0130-001	RELAY	
S421	QSL4A13-C02	LEVER SWITCH	V. CENTER SW
SF101	QAX0723-001	SAW FILTER	
△ TH901	QAD0132-3R0	P THERMISTOR	
△ TU001	QAU0274-001	TUNER	
△ VA901	ERZ10V621CS	ZNR	
X701	QAX0717-001Z	CRYSTAL	

CRT SOCKET P.W. BOARD ASS'Y (SGE-3007A-M2)

Refer to PARTS LIST in page 50 for this P.W. board

AV SELECTOR P.W. BOARD ASS'Y (SGE-5003A-M2)

Refer to PARTS LIST in page 75 for this P.W. board

FRONT AV IN P.W. BOARD ASS'Y (SGE-6002A-M2)

Refer to PARTS LIST in page 46 for this P.W. board

FRONT CONTROL P.W. BOARD ASS'Y (SGE-7002A-M2)

Refer to PARTS LIST in page 46 for this P.W. board

[AV-32320/Y]

PRINTED WIRING BOARD PARTS LIST

MAIN P.W. BOARD ASS'Y (SGE-1015A-M2)

Symbol No.	Part No.	Part Name	Description
RESISTOR			
R002	NRS463J-0R0X	MG R	0.0Ω 1/16W J
R003	NRS463J-101X	MG R	100Ω 1/16W J
R004	NRS463J-101X	MG R	100Ω 1/16W J
R005	NRS463J-0R0X	MG R	0.0Ω 1/16W J
R008	NRS463J-820X	MG R	82Ω 1/16W J
R009	NRS463J-682X	MG R	6.8kΩ 1/16W J
R101	NRS463J-562X	MG R	5.6kΩ 1/16W J
R102	NRS463J-182X	MG R	1.8kΩ 1/16W J
R103	QRE121J-101Y	C R	100Ω 1/2W J
R104	NRS463J-180X	MG R	18Ω 1/16W J
R105	NRS463J-270X	MG R	27Ω 1/16W J
R111	NRS463J-394X	MG R	390kΩ 1/16W J
R112	NRS463J-334X	MG R	330kΩ 1/16W J
R113	NRS463J-101X	MG R	100Ω 1/16W J
R115	NRS463J-101X	MG R	100Ω 1/16W J
R116	NRS463J-680X	MG R	68Ω 1/16W J
R117	NRS463J-273X	MG R	27kΩ 1/16W J
R118	NRS463J-223X	MG R	22kΩ 1/16W J
R131	NRS463J-102X	MG R	1kΩ 1/16W J
R132	NRS463J-331X	MG R	330Ω 1/16W J
R133	NRS463J-821X	MG R	820Ω 1/16W J
R134	NRS463J-561X	MG R	560Ω 1/16W J
R135	NRS463J-102X	MG R	1kΩ 1/16W J
R161	NRS463J-332X	MG R	3.3kΩ 1/16W J
R162	NRS463J-0R0X	MG R	0.0Ω 1/16W J
R163	NRS463J-223X	MG R	22kΩ 1/16W J
R164	NRS463J-102X	MG R	1kΩ 1/16W J
R165	NRS463J-223X	MG R	22kΩ 1/16W J
R166	NRS463J-103X	MG R	10kΩ 1/16W J
R167	NRS463J-102X	MG R	1kΩ 1/16W J
R168	NRS463J-101X	MG R	100Ω 1/16W J
R169	NRS463J-561X	MG R	560Ω 1/16W J
R171	NRS463J-103X	MG R	10kΩ 1/16W J
R201	NRS463J-223X	MG R	22kΩ 1/16W J
R212	NRS463J-272X	MG R	2.7kΩ 1/16W J
R215	NRS463J-562X	MG R	5.6kΩ 1/16W J
R216	NRS463J-562X	MG R	5.6kΩ 1/16W J
R217	NRS463J-102X	MG R	1kΩ 1/16W J
R222	NRS463J-0R0X	MG R	0.0Ω 1/16W J
R227	NRS463J-104X	MG R	100kΩ 1/16W J
R231	NRS463J-182X	MG R	1.8kΩ 1/16W J
R237	NRS463J-392X	MG R	3.9kΩ 1/16W J
R238	NRS463J-473X	MG R	47kΩ 1/16W J
R241	NRS463J-332X	MG R	3.3kΩ 1/16W J
R243	NRS463J-152X	MG R	1.5kΩ 1/16W J
R281	NRS463J-182X	MG R	1.8kΩ 1/16W J
R282	NRS463J-392X	MG R	3.9kΩ 1/16W J
R283	NRS463J-681X	MG R	680Ω 1/16W J
R286	NRS463J-472X	MG R	4.7kΩ 1/16W J
R287	NRS463J-101X	MG R	100Ω 1/16W J
R288	NRS463J-471X	MG R	470Ω 1/16W J
R289	NRS463J-154X	MG R	150kΩ 1/16W J
R290	NRS463J-561X	MG R	560Ω 1/16W J
R292	NRS463J-124X	MG R	120kΩ 1/16W J
R293	NRS463J-224X	MG R	220kΩ 1/16W J
R301	NRS463J-222X	MG R	2.2kΩ 1/16W J
R302	NRS463J-222X	MG R	2.2kΩ 1/16W J
R303	NRS463J-222X	MG R	2.2kΩ 1/16W J
R304	NRS463J-101X	MG R	100Ω 1/16W J
R305	NRS463J-101X	MG R	100Ω 1/16W J
R306	NRS463J-101X	MG R	100Ω 1/16W J
R354	NRS463J-0R0X	MG R	0.0Ω 1/16W J
R355	NRS463J-0R0X	MG R	0.0Ω 1/16W J
R356	NRS463J-123X	MG R	12kΩ 1/16W J
R359	NRS463J-103X	MG R	10kΩ 1/16W J
R360	NCB31HK-103X	C CAP	0.01μF 50V K
R421	NRS463J-822X	MG R	8.2kΩ 1/16W J
R423	NRS463J-393X	MG R	39kΩ 1/16W J
R424	NRS463J-393X	MG R	39kΩ 1/16W J
R426	NRS463J-183X	MG R	18kΩ 1/16W J
R427	QRT029J-1R5	MF R	1.5Ω 2W J

Symbol No.	Part No.	Part Name	Description
RESISTOR			
R429	NRS463J-272X	MG R	2.7kΩ 1/16W J
R430	NRS463J-0R0X	MG R	0.0Ω 1/16W J
R431	NRS463J-152X	MG R	1.5kΩ 1/16W J
R432	NRS463J-101X	MG R	100Ω 1/16W J
R433	NRS463J-681X	MG R	680Ω 1/16W J
R434	QRL029J-181	OM R	18Ω 2W J
R435	QRE121J-102Y	C R	1kΩ 1/2W J
R441	NRS463J-0R0X	MG R	0.0Ω 1/16W J
R447	NRS463J-104X	MG R	100kΩ 1/16W J
R448	NRS463J-473X	MG R	47kΩ 1/16W J
R449	NRS463J-103X	MG R	10kΩ 1/16W J
R501	NRS463J-0R0X	MG R	0.0Ω 1/16W J
R502	NRS463J-271X	MG R	270Ω 1/16W J
R503	QRE121J-103Y	C R	10kΩ 1/2W J
R504	QRL029J-102	OM R	1kΩ 3W J
R505	QRL029J-102	OM R	1kΩ 3W J
R511	QRE121J-220Y	C R	22Ω 1/2W J
R512	QRE121J-681Y	C R	680Ω 1/2W J
R523	QRJ146J-333X	C R	33kΩ 1/4W J
R526	QRE121J-272Y	C R	2.7kΩ 1/2W J
R527	QRE121J-154Y	C R	150kΩ 1/2W J
R528	QRE121J-154Y	C R	150kΩ 1/2W J
R529	NRS463J-331X	MG R	330Ω 1/16W J
R531	QRJ146J-391X	C R	390Ω 1/4W J
R532	NRS463J-273X	MG R	27kΩ 1/16W J
R533	NRS463J-123X	MG R	12kΩ 1/16W J
R534	NRS463J-123X	MG R	12kΩ 1/16W J
△ R535	NRV402D-222X	MF R	2.2kΩ 1/10W D
△ R537	NRV402D-752X	MF R	7.5kΩ 1/10W D
R538	NRS463J-333X	MG R	33kΩ 1/16W J
R543	QRE121J-122Y	C R	1.2kΩ 1/2W J
R544	QRE121J-392Y	C R	3.9kΩ 1/2W J
R545	QRE121J-822Y	C R	8.2kΩ 1/2W J
R546	NRS463J-331X	MG R	330Ω 1/16W J
R547	NRS463J-104X	MG R	100kΩ 1/16W J
R548	QRE121J-152Y	C R	1.5kΩ 1/2W J
R553	QRL029J-180	OM R	18Ω 3W J
△ R554	QRK126J-150X	C R	15Ω 1/2W J
R555	QRX029J-3R3	MF R	3.3Ω 2W J
R601	NRS463J-750X	MG R	75Ω 1/16W J
R602	NRS463J-750X	MG R	75Ω 1/16W J
R603	NRS463J-750X	MG R	75Ω 1/16W J
R613	NRS463J-0R0X	MG R	0.0Ω 1/16W J
R610	NRS463J-0R0X	MG R	0.0Ω 1/16W J
R611	NRS463J-0R0X	MG R	0.0Ω 1/16W J
R621	NRS463J-682X	MG R	6.8kΩ 1/16W J
R622	NRS463J-681X	MG R	680Ω 1/16W J
R623	NRS463J-682X	MG R	6.8kΩ 1/16W J
R624	NRS463J-681X	MG R	680Ω 1/16W J
R626	NRS463J-223X	MG R	22kΩ 1/16W J
R627	NRS463J-223X	MG R	22kΩ 1/16W J
R631	NRS463J-333X	MG R	33kΩ 1/16W J
R632	NRS463J-223X	MG R	22kΩ 1/16W J
R638	NRS463J-0R0X	MG R	0.0Ω 1/16W J
R639	NRS463J-0R0X	MG R	0.0Ω 1/16W J
R651	NRS463J-0R0X	MG R	0.0Ω 1/16W J
R652	NRS463J-0R0X	MG R	0.0Ω 1/16W J
R653	NRS463J-0R0X	MG R	0.0Ω 1/16W J
R700	NRS463J-102X	MG R	1kΩ 1/16W J
R701	NRS463J-103X	MG R	10kΩ 1/16W J
R702	NRS463J-102X	MG R	1kΩ 1/16W J
R704	NRS463J-472X	MG R	4.7kΩ 1/16W J
R705	NRS463J-472X	MG R	4.7kΩ 1/16W J
R706	NRS463J-472X	MG R	4.7kΩ 1/16W J
R707	NRS463J-103X	MG R	10kΩ 1/16W J
R708	NRS463J-101X	MG R	100Ω 1/16W J
R709	NRS463J-101X	MG R	100Ω 1/16W J
R715	NRS463J-103X	MG R	10kΩ 1/16W J
R718	NRS463J-223X	MG R	22kΩ 1/16W J
R721	NRS463J-102X	MG R	1kΩ 1/16W J
R728	NRS463J-102X	MG R	1kΩ 1/16W J

[AV-32320/Y]

Symbol No.	Part No.	Part Name	Description
RESISTOR			
R729	NRSA63J-223X	MG R	22kΩ 1/16W J
R731	NRSA63J-101X	MG R	100Ω 1/16W J
R732	NRSA63J-101X	MG R	100Ω 1/16W J
R733	NRSA63J-472X	MG R	4.7kΩ 1/16W J
R734	NRSA63J-472X	MG R	4.7kΩ 1/16W J
R739	NRSA63J-0R0X	MG R	0.0Ω 1/16W J
R740	NRSA63J-103X	MG R	10kΩ 1/16W J
R764	NRSA63J-221X	MG R	220Ω 1/16W J
R765	NRSA63J-221X	MG R	220Ω 1/16W J
R766	NRSA63J-221X	MG R	220Ω 1/16W J
R767	NRSA63J-221X	MG R	220Ω 1/16W J
R769	NRSA63J-682X	MG R	6.8kΩ 1/16W J
R772	NRSA63J-103X	MG R	10kΩ 1/16W J
R811	NRSA63J-473X	MG R	47kΩ 1/16W J
R816	NRSA63J-124X	MG R	120kΩ 1/16W J
R821	NRSA63J-184X	MG R	180kΩ 1/16W J
R822	NRSA63J-0R0X	MG R	0.0Ω 1/16W J
R827	NRSA63J-102X	MG R	1kΩ 1/16W J
R855	QRG09J-100	OM R	10Ω 3W J
R857	QRL029J-270	OM R	27Ω 2W J
R858	QRL029J-180	OM R	18Ω 2W J
R901	QRF074K-R47	UNF R	0.47Ω 7W K
R909	QRG01GJ-470	OM R	47Ω 1W J
R911	QRE121J-223Y	C R	22kΩ 1/2W J
R912	QRT029J-R22	MF R	0.22Ω 2W J
R913	QRT029J-R22	MF R	0.22Ω 2W J
R914	QRK126J-681X	C R	680Ω 1/2W J
R915	QRK129J-6R8	C R	6.8Ω 1/2W J
R917	QRK126J-332X	C R	3.3kΩ 1/2W J
R918	QRE121J-222Y	C R	2.2kΩ 1/2W J
R919	QRE121J-684Y	C R	680kΩ 1/2W J
R924	QRE121J-222Y	C R	2.2kΩ 1/2W J
R930	QRE121J-223Y	C R	22kΩ 1/2W J
R939	QRT09J-2R2	MF R	2.2Ω 3W J
R940	QRE121J-181Y	C R	180Ω 1/2W J
R941	QRL029J-183	OM R	18kΩ 2W J
R950	NRSA63J-0R0X	MG R	0.0Ω 1/16W J
R951	NRSA63J-473X	MG R	47kΩ 1/16W J
R952	NRSA63J-102X	MG R	1kΩ 1/16W J
R953	QRE121J-820Y	C R	82Ω 1/2W J
R973	QRE121J-272Y	C R	2.7kΩ 1/2W J
R975	QRE121J-223Y	C R	22kΩ 1/2W J
R977	QRE121J-473Y	C R	47kΩ 1/2W J
R978	NRSA63J-333X	MG R	33kΩ 1/16W J
R979	QRT029J-1R2	MF R	1.2Ω 2W J
R980	QRT029J-1R2	MF R	1.2Ω 2W J
R998	QRZ9041-275	C R	2.7MΩ 1/2W K
R999	QRE121J-121Y	C R	120Ω 1/2W J

Symbol No.	Part No.	Part Name	Description
CAPACITOR			
C001	QETNLHM-475Z	E CAP.	4.7μF 50V M
C003	QETNLHM-106Z	E CAP.	10μF 50V M
C004	QETNLHM-108Z	E CAP.	1000μF 16V M
C006	QETNLEM-476Z	E CAP.	47μF 25V M
C101	NCB31HK-103X	C CAP.	0.01μF 50V K
C102	NCB31HK-103X	C CAP.	0.01μF 50V K
C104	NCB31HK-103X	C CAP.	0.01μF 50V K
C105	NCB31HK-103X	C CAP.	0.01μF 50V K
C106	QETNLEM-476Z	E CAP.	47μF 25V M
C107	NCB31HK-103X	C CAP.	0.01μF 50V K
C113	NCB31HK-103X	C CAP.	0.01μF 50V K
C114	NCB31HK-103X	C CAP.	0.01μF 50V K
C116	QFVFLHJ-224Z	MF CAP.	0.22μF 50V J
C117	QETNLEM-476Z	E CAP.	47μF 25V M
C118	NCB31HK-103X	C CAP.	0.01μF 50V K
C119	NDC31HJ-681X	C CAP.	680pF 50V J
C120	QETNLHM-474Z	E CAP.	0.47μF 50V M
C124	NCB31HK-103X	C CAP.	0.01μF 50V K
C131	NCB31HK-103X	C CAP.	0.01μF 50V K
C161	QETNLHM-106Z	E CAP.	10μF 50V M
C163	NDC31HJ-470X	C CAP.	47pF 50V J
C164	NDC31HJ-470X	C CAP.	47pF 50V J
C165	NCB31HK-103X	C CAP.	0.01μF 50V K
C166	NCB31HK-103X	C CAP.	0.01μF 50V K

Symbol No.	Part No.	Part Name	Description
CAPACITOR			
C202	QETNLHM-105Z	E CAP.	1μF 50V M
C203	NCB31HK-152X	C CAP.	1500pF 50V K
C211	QENCICM-106Z	E CAP.	10μF 16V M
C212	NDC31HJ-100X	C CAP.	10pF 50V J
C221	QETNLHM-106Z	E CAP.	10μF 50V M
C222	QFVFLHJ-104Z	MF CAP.	0.1μF 50V J
C223	NCB31HK-103X	C CAP.	0.01μF 50V K
C233	NDC31HJ-680X	C CAP.	68pF 50V J
C237	NCB31HK-103X	C CAP.	0.01μF 50V K
C241	NCB31HK-103X	C CAP.	0.01μF 50V K
C242	QETNLHM-225Z	E CAP.	2.2μF 50V M
C243	QETNLHM-107Z	E CAP.	100μF 16V M
C244	NCB31HK-103X	C CAP.	0.01μF 50V K
C281	QFVFLHJ-474Z	MF CAP.	0.47μF 50V J
C282	QETNLHM-107Z	E CAP.	100μF 16V M
C283	NCB31HK-103X	C CAP.	0.01μF 50V K
C284	QETNLHM-225Z	E CAP.	2.2μF 50V M
C285	NCB31HK-103X	C CAP.	0.01μF 50V K
C286	QETNLHM-106Z	E CAP.	10μF 50V M
C287	QETNLHM-107Z	E CAP.	100μF 16V M
C288	NCB31HK-103X	C CAP.	0.01μF 50V K
C352	QETNLHM-336Z	E CAP.	33μF 16V M
C354	NCB31HK-103X	C CAP.	0.01μF 50V K
C391	QETNLHM-107Z	E CAP.	100μF 16V M
C392	NCB31HK-103X	C CAP.	0.01μF 50V K
C422	QFLCZAJ-102Z	M CAP.	1000pF 100V J
C424	QETNLHM-107Z	E CAP.	100μF 16V M
C425	QETNLHM-477Z	E CAP.	470μF 35V M
C427	QETNLHM-105Z	E CAP.	1μF 50V M
C428	QETNLEM-228	E CAP.	2200μF 25V M
C431	QFLCZAK-563Z	M CAP.	0.056μF 100V K
C432	QETNLEM-476Z	E CAP.	47μF 25V M
C433	QETNLEM-476Z	E CAP.	47μF 25V M
C435	NCB31HK-183X	C CAP.	0.018μF 50V K
C440	QCS32HJ-220Z	C CAP.	22pF 500V J
C501	QCB32HK-151Z	C CAP.	150pF 500V K
C502	QCB32HK-331Z	C CAP.	330pF 500V K
C503	QEHRCM-105Z	E CAP.	1μF 160V M
C504	QEZOQ03-107	E CAP.	100μF 160V M
C507	QEM6LHK-475Z	E CAP.	4.7μF 50V K
C508	QEM6LHK-475Z	E CAP.	4.7μF 50V K
C510	QFZ0196-532	MPP CAP.	5300pF 1.5kVH±3%
C510	or QFZ0200-532	MPP CAP.	5300pF 1.5kVH±3%
C513	QFZ0198-133	MPP CAP.	0.013μF 1.5kVH±3%
C514	QFP32GJ-183	PP CAP.	0.018μF 400V J
C515	QFZ0197-564	MPP CAP.	0.56μF 250V J
C515	or QFZ0199-564	MPP CAP.	0.56μF 250V J
C516	QCB32HK-561Z	C CAP.	560pF 500V K
C521	QETNDEM-106Z	E CAP.	10μF 250V M
C523	QEHRLVM-108Z	E CAP.	1000μF 35V M
C525	QETNLHM-107Z	E CAP.	100μF 35V M
C526	QFV21HJ-824Z	MF CAP.	0.82μF 50V J
C527	QFLCZAJ-103Z	M CAP.	0.01μF 100V J
C531	QCB32HK-102Z	C CAP.	1000pF 500V K
C533	QETNLHM-106Z	E CAP.	10μF 50V M
C601	QETNLEM-476Z	E CAP.	47μF 25V M
C602	QETNLEM-476Z	E CAP.	47μF 25V M
C603	QETNLEM-476Z	E CAP.	47μF 25V M
C609	QFVFLHJ-104Z	MF CAP.	0.1μF 50V J
C610	QFVFLHJ-104Z	MF CAP.	0.1μF 50V J
C611	QFVFLHJ-104Z	MF CAP.	0.1μF 50V J
C621	NCB31HK-102X	C CAP.	1000pF 50V K
C622	NCF21CZ-105X	C CAP.	1μF 16V Z
C623	NCB31HK-102X	C CAP.	1000pF 50V K
C624	NCF21CZ-105X	C CAP.	1μF 16V Z
C625	QETNLHM-107Z	E CAP.	100μF 16V M
C626	QETNLEM-108Z	E CAP.	1000μF 25V M
C627	QETNLHM-474Z	E CAP.	0.47μF 50V M
C628	QETNLEM-108Z	E CAP.	1000μF 25V M
C629	QETNLEM-108Z	E CAP.	1000μF 25V M
C636	QETNLHM-105Z	E CAP.	1μF 50V M
C637	QETNLHM-105Z	E CAP.	1μF 50V M
C700	NCB31HK-102X	C CAP.	1000pF 50V K
C701	QETNLHM-106Z	E CAP.	10μF 50V M
C702	QETNLHM-106Z	E CAP.	10μF 50V M
C703	QETNLHM-106Z	E CAP.	10μF 50V M

[AV-32320/Y]

Symbol No.	Part No.	Part Name	Description
CAPACITOR			
C704	QETNLCM-1072	E CAP.	100µF 16V M
C705	NCB31HK-103X	C CAP.	0.01µF 50V K
C706	QETNLCM-1052	E CAP.	1µF 50V M
C708	NDC31HJ-220X	C CAP.	220pF 50V J
C709	NDC31HJ-220X	C CAP.	220pF 50V J
C711	QETNLCM-1072	E CAP.	100µF 16V M
C712	NCB31HK-103X	C CAP.	0.01µF 50V K
C716	QETNLCM-1062	E CAP.	10µF 50V M
C728	NCB31HK-103X	C CAP.	0.01µF 50V K
C807	QETNLCM-4772	E CAP.	470µF 16V M
C815	NCB31HK-103X	C CAP.	0.01µF 50V K
C853	QETNLCM-2272	E CAP.	220µF 16V M
C854	QETNLCM-2272	E CAP.	220µF 16V M
C856	QETNLCM-2272	E CAP.	220µF 16V M
C857	QETNLCM-4772	E CAP.	470µF 16V M
△ C901	QFZ9067-104	MF CAP.	0.1µFAC275V M
△ C902	QFZ9075-473	MPP CAP.	0.047µFAC275V K
△ C902	or QFZ9072-473	MF CAP.	0.047µFAC275V K
△ C904	QCZ9054-102	C CAP.	1000pFAC250V Z
△ C905	QCZ9054-102	C CAP.	1000pFAC250V Z
△ C906	QCZ9054-102	C CAP.	1000pFAC250V Z
△ C907	QEZO169-477	E CAP.	470µF 200V M
△ C908	QCZ9054-102	C CAP.	1000pFAC250V M
△ C908	or QCZ9079-102	C CAP.	1000pFAC250V M
△ C912	QCZ0340-222	C CAP.	2200pF 2kV K
△ C913	QFLCHJ-471Z	M CAP.	470µF 50V J
C914	QETNLCM-1072	E CAP.	100µF 50V M
C916	NDC31HJ-331X	C CAP.	330pF 50V J
C917	NCB31HK-182X	C CAP.	1800pF 50V K
C918	NCB21HK-104X	C CAP.	0.1µF 50V K
C919	QFP32GJ-103	PP CAP.	0.01µF 400V J
C931	QEZO03-107	E CAP.	100µF 160V M
C933	QETNLCM-1082	E CAP.	1000µF 16V M
C934	NDC31HJ-151X	C CAP.	150pF 50V J
C935	QETNLCM-1082	E CAP.	1000µF 25V M
C937	QCZ0340-102	C CAP.	1000pF 2kV K
C938	QETNLCM-4772	E CAP.	470µF 16V M
C939	QCB32HK-152Z	C CAP.	1500pF 500V K
C941	QCB32HK-102Z	C CAP.	1000pF 500V K
C942	QEHRLHM-1052	E CAP.	1µF 50V M
C951	QETNLCM-4772	E CAP.	470µF 25V M
C952	QETNLCM-2272	E CAP.	220µF 16V M
C971	QETNLCM-1072	E CAP.	100µF 16V M
C972	QETNLCM-4762	E CAP.	47µF 25V M
C973	QETNLCM-1062	E CAP.	10µF 50V M
△ C997	QCZ9052-102	C CAP.	1000pFAC125V M
△ C998	QCZ9074-103	C CAP.	0.01µFAC250V M
△ C999	QCZ9074-103	C CAP.	0.01µFAC250V M

TRANSF

T111	QQR0907-001	IFT	
T501	CE42034-002	HOR DRIVE TRANS	
△ T502	QQH0121-001	FB TRANSF	
△ T921	QQS0138-001	SW TRANSF	
△ T951	QQT0355-001	POWER TRANSF	or QQT0372-001

COIL

L001	QQL244K-560Z	COIL	56µH K
L101	QQL2014-R22	INDUCTOR	
L113	QQL244K-4R7Z	COIL	4.7µH K
L131	QQL244K-150Z	COIL	15µH K
L161	QQL244K-220Z	INDUCTOR	
L232	QQL244K-560Z	COIL	56µH K
L241	QQL244K-220Z	INDUCTOR	
L391	QQL244K-220Z	INDUCTOR	
△ L511	QQR1027-003	LINEARITY COIL	
△ L512	QQL2036-821	INDUCTOR	or QQL2027-821
△ L521	QQL2026-560	INDUCTOR	
L701	QQL244K-220Z	INDUCTOR	
L702	QQL244K-220Z	INDUCTOR	
L703	QQL244K-220Z	INDUCTOR	
L704	QQL244K-220Z	INDUCTOR	
L705	QQL244K-220Z	INDUCTOR	
L931	QQL26AK-470Z	COIL	47µH K
L933	QQL26AK-470Z	COIL	47µH K
L940	QQR0582-001Z	FERRITE BEADS	

Symbol No.	Part No.	Part Name	Description
DIODE			
D305	1SS133-T2	SI DIODE	
D306	1SS133-T2	SI DIODE	
D307	1SS133-T2	SI DIODE	
D308	1SS133-T2	SI DIODE	
D309	1SS133-T2	SI DIODE	
D310	1SS133-T2	SI DIODE	
D352	MTZJ9-1C-T2	Z DIODE	
D353	1SS133-T2	SI DIODE	
D354	MTZJ3-3A-T2	Z DIODE	
D421	1N4003-T2	SI DIODE	
D422	MTZJ75-T2	Z DIODE	
D432	1SS133-T2	SI DIODE	
D501	RH3G-F1	SI DIODE	
△ D502	RU3AM-LFC4	SI DIODE	
D521	RH15-T3	SI DIODE	
D523	RGP10J-5025-T3	SI DIODE	
D525	1SS81-T5	SI DIODE	
D526	1SS81-T5	SI DIODE	
D527	1SR124-400A-T2	SI DIODE	
D529	MTZJ5-1C-T2	Z DIODE	
△ D531	MA4068N/Z1/-T2	Z DIODE	
D535	1SS133-T2	SI DIODE	
D537	1SR35-400A-T2	SI DIODE	
D601	MTZJ9-1C-T2	Z DIODE	
D602	MTZJ9-1C-T2	Z DIODE	
D603	MTZJ9-1C-T2	Z DIODE	
D700	MTZJ5-6B-T2	Z DIODE	
D701	1SS133-T2	SI DIODE	
D703	MTZJ5-6B-T2	Z DIODE	
D704	MTZJ5-6B-T2	Z DIODE	
D705	1SS133-T2	SI DIODE	
D706	MTZJ5-6B-T2	Z DIODE	
D707	MTZJ5-6B-T2	Z DIODE	
D708	MTZJ5-6B-T2	Z DIODE	
D709	MTZJ5-6B-T2	Z DIODE	
D723	MTZJ5-6B-T2	Z DIODE	
△ D901	GS1B460-S1	BRIDGE DIODE	
D910	MA700A-T2	SB DIODE	
△ D911	RGP10J-5025-T3	SI DIODE	
△ D912	RGP10J-5025-T3	SI DIODE	
△ D913	RGP10J-5025-T3	SI DIODE	
D914	1SS133-T2	SI DIODE	
D915	SARS01-T2	SI DIODE	
D917	MTZJ30A-T2	Z DIODE	
D918	MTZJ5-1C-T2	Z DIODE	
D920	1SS133-T2	SI DIODE	
D931	RU30A-F1	SI DIODE	
D933	RU3YX-LFC4	SI DIODE	
D935	RU3YX-LFC4	SI DIODE	
D941	MTZJ33A-T2	Z DIODE	
D945	MTZJ9-1B-T2	Z DIODE	
D952	1SS133-T2	SI DIODE	
D953	1SS133-T2	SI DIODE	
D954	1N4002G-T2	SI DIODE	
D955	1N4002G-T2	SI DIODE	
D956	1N4002G-T2	SI DIODE	
D957	1N4002G-T2	SI DIODE	
D972	MTZJ15C-T2	Z DIODE	
D973	1SS133-T2	SI DIODE	

TRANSISTOR

Q001	UN2212-X	DIGI TRANSISTOR	
Q101	2SC5083/L-P/-T	TRANSISTOR	
Q131	2SB709A/QR/-X	TRANSISTOR	
Q161	2SD601A/QR/-X	TRANSISTOR	
Q211	2SD601A/QR/-X	TRANSISTOR	
Q232	2SD601A/QR/-X	TRANSISTOR	
Q233	2SD601A/QR/-X	TRANSISTOR	
Q352	2SD601A/QR/-X	TRANSISTOR	
Q431	UN2212-X	DIGI TRANSISTOR	
Q501	2SC4212/Z1/	TRANSISTOR	
△ Q511	2SD2645-YD	POWER TRANSISTO	H. OUT
Q531	2SC2785/JH/-T	SI TRANSISTOR	
Q532	2SB709A/QR/-X	TRANSISTOR	
Q541	2SB709A/QR/-X	TRANSISTOR	
Q542	2SB709A/QR/-X	TRANSISTOR	
Q543	2SD1408/OY/-LB	POW TRANSISTOR	
Q622	2SD601A/QR/-X	TRANSISTOR	
Q623	UN2212-X	DIGI TRANSISTOR	
Q701	2SB709A/QR/-X	TRANSISTOR	
Q951	2SD1383K/AB/-X	TRANSISTOR	
Q971	2SA1208/ST/Z1-T	TRANSISTOR	

[AV-32320/Y]

Symbol No.	Part No.	Part Name	Description
IC			
IC101	M52342SP	IC	
IC201	TM8812CSBNG3U68	IC	
△ IC421	LA7841	IC	
△ IC621	LA4485	IC	
IC702	AT24C08-32D50B	IC	(SERVICE)
IC708	S-80840ANY-T	IC	
IC704	AN78L05-T	IC	
IC852	AN7809F	IC	
IC852	or BA17809T	IC	or BA17809T
IC853	AN7805F	IC	
IC853	or BA17805T	IC	or BA17805T
△ IC911	STR-G6624/F8	IC	
△ IC921	SE135N	I C	
OTHERS			
CF001	QAX0349-001	C TRAP	
CF131	QAX0639-001Z	C TRAP	
CF161	QAX0642-001Z	C FILTER	
CN001	QGB1505J1-35	B TO B CONNE	
CN002	QGB1505J1-25	B TO B CONNE	
CN004	QGA2501C5-05Z	W TO B CONNE	
CN005	QGA2501C5-04Z	W TO B CONNE	
CN007	QGA2501C5-07Z	W TO B CONNE	
△ CN09W	QMPD390-200-J5	POWER CORD	or QMPD200-200-JC
△ CP932	ICP-N70-T	C PROTECTOR	
△ CP936	ICP-N70-T	C PROTECTOR	
△ F901	QMF0007-5R0J1	FUSE	or QMF51U1-5R0-J8
△ F905	QMF2034-5R0Z-J1	FUSE	5.0A
△ FC901	CEM002-001Z	FUSE CLIP	
FC902	CEM002-001Z	FUSE CLIP	
△ FR525	QRZ9017-4R7	F R	4.7 Ω 1/4W J
△ FR527	QRZ9011-470	F R	47Ω 1/2W J
J601	QNN0349-002	PIN JACK	
K401	QQR0621-002Z	FERRITE BEADS	
K912	QQR0582-001Z	FERRITE BEADS	
K916	QQR0582-001Z	FERRITE BEADS	
K917	QQR0582-001Z	FERRITE BEADS	
K918	QQR0582-001Z	FERRITE BEADS	
K931	QQR0582-001Z	FERRITE BEADS	
K932	QQR0582-001Z	FERRITE BEADS	
K933	QQR0621-002Z	FERRITE BEADS	
K935	QQR0582-001Z	FERRITE BEADS	
LC601	QQR1199-001	EMI FILTER	
LC602	QQR1199-001	EMI FILTER	
LC608	QQR1199-001	EMI FILTER	
△ LF901	QQR1085-003	LINE FILTER	or QQR0527-003
△ PC921	TLP421F/D4-GRV	IC (PHOTO COUPLE	
△ RY951	QSK0086-001	RELAY	
△ RY951	or QSK0085-001	RELAY	
△ RY951	or QSK0130-001	RELAY	
S421	QSL4413-C02	LEVER SWITCH	V. CENTER SW
SF101	QAX0723-001	SAW FILTER	
△ TH901	QAD0132-3R0	P THERMISTOR	
△ TU001	QAU0274-001	TUNER	
△ VA901	ERZ10V621CS	ZNR	
X701	QAX0717-001Z	CRYSTAL	

CRT SOCKET P.W. BOARD ASS'Y (SGE-3004A-M2)

Refer to PARTS LIST in page 55 for this P.W. board

AV SELECTOR P.W. BOARD ASS'Y (SGE-5003A-M2)

Refer to PARTS LIST in page 75 for this P.W. board

FRONT AV IN P.W. BOARD ASS'Y (SGE-6002A-M2)

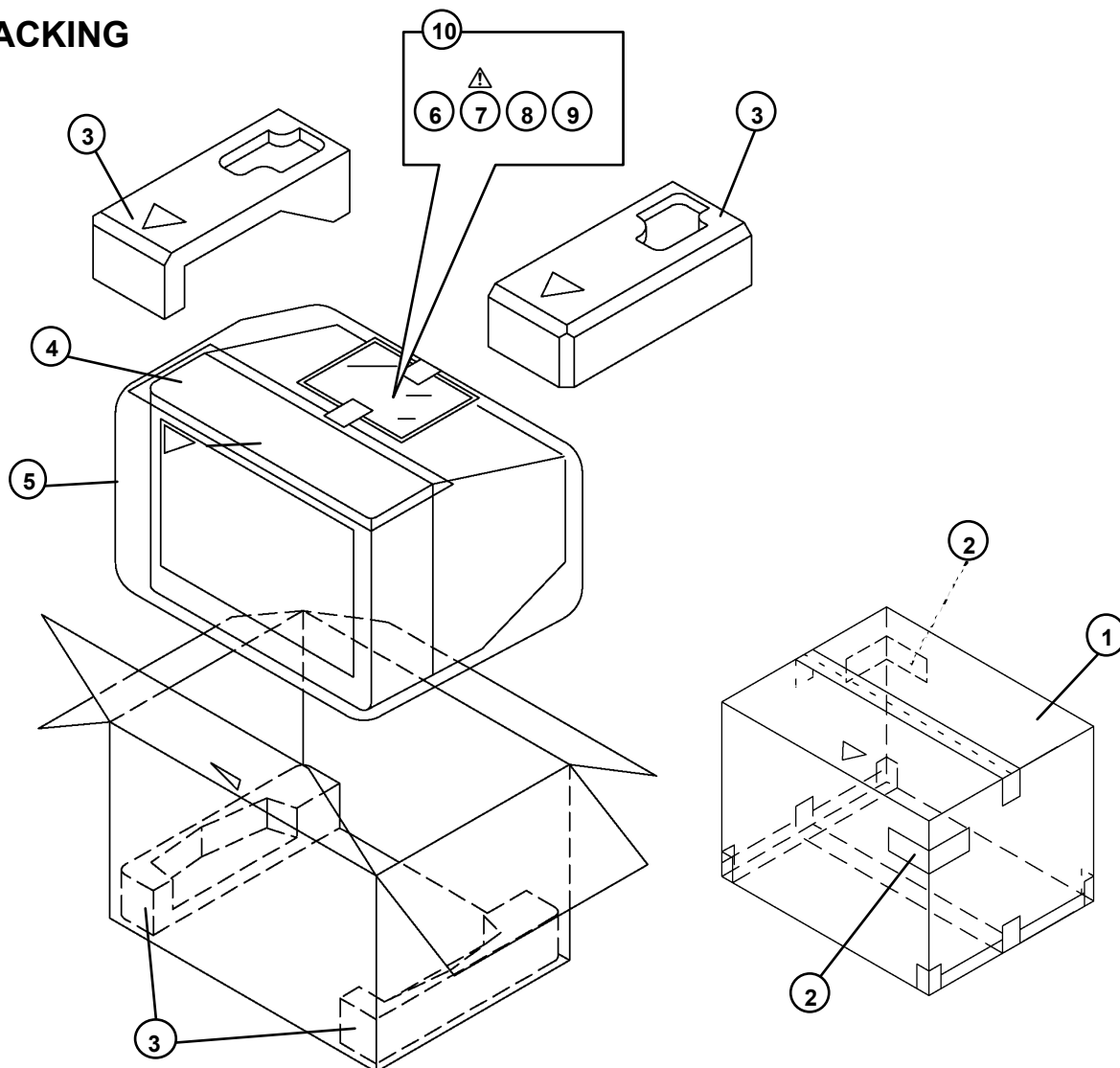
Refer to PARTS LIST in page 46 for this P.W. board

FRONT CONTROL P.W. BOARD ASS'Y (SGE-7002A-M2)

Refer to PARTS LIST in page 46 for this P.W. board

[AV-32330 / AV-32S33 / AV-32320]

PACKING



PACKING PARTS LIST

△ Ref.No.	Part No.	Part Name	Description
1	CP11548-052	PACKING CASE	
2	CM36616-001-A	CORNER LABEL	2pcs in 1set
3	LC10176-001B	CUSHION ASSY	4pcs in 1set
4	CP30611-A02	TOP COVER	
5	AP3756-11	POLY COVER	
6	RM-C255-1H	REMOCON UNIT	[AV-32330]
6	RM-C255-1H	REMOCON UNIT	[AV-32S33]
6	RM-C205-1C	REMOCON UNIT	[AV-32320]
△ 7	LCT1135-001A-A	INST BOOK	
8	BT-51028-1Q	REGISTRATION C	
9	BT-52006-1	WARRANTY CARD	
10	QPA02503505	POLY BAG	

AV-32330 AV-32S33
AV-32320

REMOTE CONTROL UNIT PARTS LIST (RM-C255-1H / RM-C205-1C)

AV-32330, AV-32S33			
△ Ref.No.	Part No.	Part Name.	Description
1	UR77EC0603A	BATTERY COVER	(RM-C255-1H)

AV-32320			
△ Ref.No.	Part No.	Part Name.	Description
1	511A24001	BATTERY COVER	(RM-C205-1C)

...

...

Memo

...

JVC SERVICE & ENGINEERING COMPANY OF AMERICA

DIVISION OF JVC AMERICAS CORP.

Head office :	1700 Valley Road, Wayne, New Jersey 07470	(973)315-5000
East Coast :	10 New Maple Avenue, Pine Brook, New Jersey 07058	(973)396-1000
Midwest :	705 Enterprise St. Aurora, Illinois 60504	(630)851-7855
West Coast :	5665 Corporate Avenue, Cypress, California 90630	(714)229-8011
Southwest :	10700 Hammerly, Suite 105, Houston, Texas 77043	(713)935-9331
Hawaii :	2969 Mapunapuna Place, Honolulu, Hawaii 96819	(808)833-5828
Southeast :	1500 Lakes Parkway, Lawrenceville, Georgia 30243	(770)339-2582

JVC CANADA INC.

Head office :	21 Finchdene Square Scarborough, Ontario M1X 1A7	(416)293-1311
Vancouver :	13040 Worster Court Richmond B.C. V6V 2B3	(604)270-1311

JVC®

