

# PARTS LIST

## CAUTION

- The parts identified by the  $\Delta$  symbol are important for the safety . Whenever replacing these parts, be sure to use specified ones to secure the safety.
- The parts not indicated in this Parts List and those which are filled with lines --- in the Parts No. columns will not be supplied.
- P.W. BOARD Ass'y will not be supplied, but those which are filled with the Parts No. in the Parts No. columns will be supplied.

### ABBREVIATIONS OF RESISTORS, CAPACITORS AND TOLERANCES

RESISTORS		CAPACITORS	
CR	Carbon Resistor	C CAP.	Ceramic Capacitor
FR	Fusible Resistor	E CAP.	Electrolytic Capacitor
PR	Plate Resistor	M CAP.	Mylar Capacitor
VR	Variable Resistor	CH CAP.	Chip Capacitor
HV R	High Voltage Resistor	HV CAP.	High Voltage Capacitor
MF R	Metal Film Resistor	MF CAP.	Metalized Film Capacitor
MG R	Metal Glazed Resistor	MM CAP.	Metalized Mylar Capacitor
MP R	Metal Plate Resistor	MP CAP.	Metalized Polystyrol Capacitor
OM R	Metal Oxide Film Resistor	PP CAP.	Polypropylene Capacitor
CMF R	Coating Metal Film Resistor	PS CAP.	Polystyrol Capacitor
UNF R	Non-Flammable Resistor	TF CAP.	Thin Film Capacitor
CH V R	Chip Variable Resistor	MPP CAP.	Metalized Polypropylene Capacitor
CH MG R	Chip Metal Glazed Resistor	TAN. CAP.	Tantalum Capacitor
COMP. R	Composition Resistor	CH C CAP.	Chip Ceramic Capacitor
LPTC R	Linear Positive Temperature Coefficient Resistor	BP E CAP.	Bi-Polar Electrolytic Capacitor
		CH AL E CAP.	Chip Aluminum Electrolytic Capacitor
		CH AL BP CAP.	Chip Aluminum Bi-Polar Capacitor
		CH TAN. E CAP.	Chip Tantalum Electrolytic Capacitor
		CH AL BP E CAP.	Chip Tantalum Bi-Polar Electrolytic Capacitor

RESISTORS									
F	G	J	K	M	N	R	H	Z	P
±1%	±2%	±5%	±10%	±20%	±30%	+30% -10%	+50% -10%	+80% -20%	+100% -0%

# CONTENTS

<b>USING P.W. BOARD &amp; REMOTE CONTROL UNIT .....</b>	<b>3-3</b>
<b>EXPLODED VIEW PARTS LIST -1 .....</b>	<b>3-3</b>
<b>EXPLODED VIEW -1 .....</b>	<b>3-3</b>
<b>EXPLODED VIEW PARTS LIST -2 .....</b>	<b>3-4</b>
<b>EXPLODED VIEW -2 .....</b>	<b>3-5</b>
<b>PRINTED WIRING BOARD PARTS LIST [AV-27F476/R] .....</b>	<b>3-6</b>
MAIN P.W. BOARD ASS'Y (SGJ-1580A-M2) .....	3-6
CRT SOCKET P.W. BOARD ASS'Y (SGJ-3523A-M2) .....	3-8
AV SELECTOR P.W. BOARD ASS'Y (SGJ-5521A-M2) .....	3-9
FRONT CONTROL P.W. BOARD ASS'Y (SGJ-6521A-M2) .....	3-10
LED & POWER SW P.W. BOARD ASS'Y (SGJ-7521A-M2) .....	3-10
<b>PRINTED WIRING BOARD PARTS LIST [AV-27F476/S] .....</b>	<b>3-11</b>
MAIN P.W. BOARD ASS'Y (SGJ-1579A-M2) .....	3-11
CRT SOCKET P.W. BOARD ASS'Y (SGJ-3523A-M2) .....	3-13
AV SELECTOR P.W. BOARD ASS'Y (SGJ-5521A-M2) .....	3-13
FRONT CONTROL P.W. BOARD ASS'Y (SGJ-6521A-M2) .....	3-13
LED & POWER SW P.W. BOARD ASS'Y (SGJ-7521A-M2) .....	3-13
<b>PRINTED WIRING BOARD PARTS LIST [AV-32F476/Y] .....</b>	<b>3-14</b>
MAIN P.W. BOARD ASS'Y (SGJ-1572A-M2) .....	3-14
CRT SOCKET P.W. BOARD ASS'Y (SGJ-3521A-M2) .....	3-16
AV SELECTOR P.W. BOARD ASS'Y (SGJ-5521A-M2) .....	3-17
FRONT CONTROL P.W. BOARD ASS'Y (SGJ-6521A-M2) .....	3-17
LED & POWER SW P.W. BOARD ASS'Y (SGJ-7521A-M2) .....	3-17
<b>PRINTED WIRING BOARD PARTS LIST [AV-32F476/Z] .....</b>	<b>3-18</b>
MAIN P.W. BOARD ASS'Y (SGJ-1575A-M2) .....	3-18
CRT SOCKET P.W. BOARD ASS'Y (SGJ-3522A-M2) .....	3-20
AV SELECTOR P.W. BOARD ASS'Y (SGJ-5521A-M2) .....	3-21
FRONT CONTROL P.W. BOARD ASS'Y (SGJ-6521A-M2) .....	3-21
LED & POWER SW P.W. BOARD ASS'Y (SGJ-7521A-M2) .....	3-21
<b>REMOTE CONTROL UNIT PARTS LIST (RM-C1258G-1H) .....</b>	<b>3-22</b>
<b>PACKING .....</b>	<b>3-22</b>
<b>PACKING PARTS LIST .....</b>	<b>3-22</b>

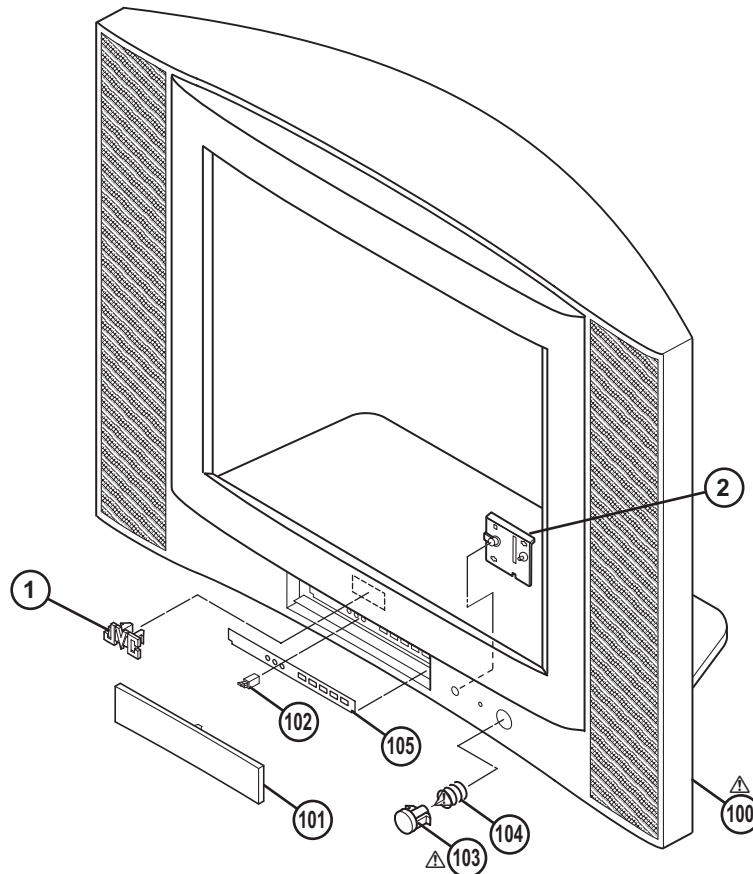
# USING P.W. BOARD & REMOTE CONTROL UNIT

P.W.B ASS'Y name	AV-27F476/R	AV-27F476/S	AV-32F476/Y	AV-32F476/Z
MAIN PWB	SGJ-1580A-M2	SGJ-1579A-M2	SGJ-1572A-M2	SGJ-1575A-M2
CRT SOCKET PWB	SGJ-3523A-M2	←	SGJ-3521A-M2	SGJ-3522A-M2
AV SELECTOR PWB	SGJ-5521A-M2	←	←	←
FRONT CONTROL PWB	SGJ-6521A-M2	←	←	←
LED & POWER SWICH PWB	SGJ-7521A-M2	←	←	←
REMOTE CONTROL UNIT	RM-C1258G-1H	←	←	←

## EXPLODED VIEW PARTS LIST -1

△ Ref.No.	Part No.	Part Name	Description	Local
1	LC41193-003A-C	JVC MARK		
2	LC32242-001A-A	RC LENS		
△ 100	LC11556-003B-A	FRONT CABINET ASSY	Inc.No.101-105	AV-27F476/R,AV-27F476/S
△ 100	LC11531-004B-A	FRONT CABINET ASSY	Inc.No.101-105	AV-32F476/Y,AV-32F476/Z
101	LC21239-002A-A	DOOR		
102	CM48229-00A-C	DOOR LATCH		
△ 103	LC32240-001A-A	POWER KNOB		
104	CM36481-002A-A	SPRING		
105	LC32241-001B-A	OPERATION SHEET		

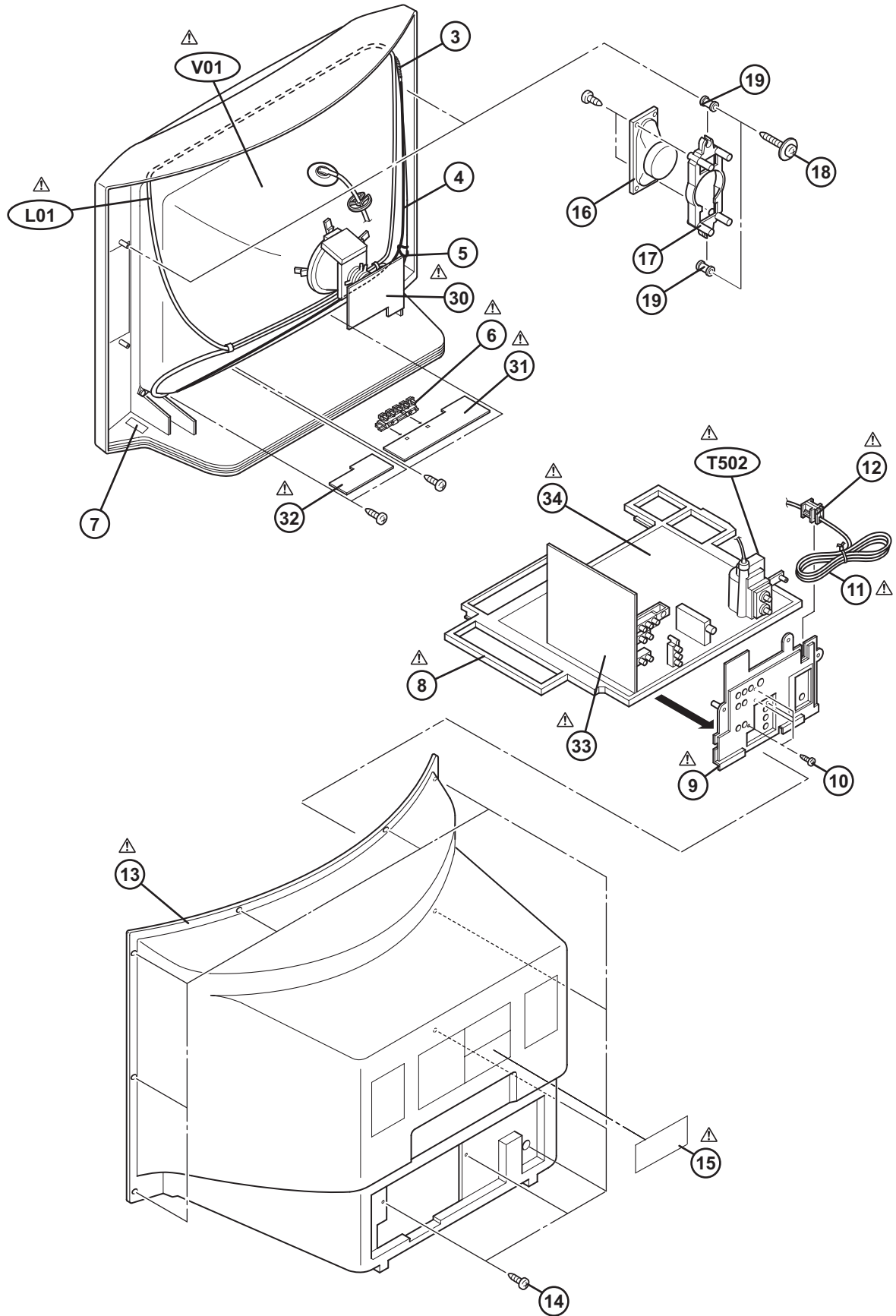
## EXPLODED VIEW -1



# EXPLODED VIEW PARTS LIST -2

△	Ref.No.	Part No.	Part Name	Description	Local
△	V01	A68ELH021X201	ITC	Inc.DY/PC MAGNET/WEDGE	AV-27F476/R
△	V01	A68QCP693X003	ITC	Inc.DY/PC MAGNET/WEDGE	AV-27F476/S
△	V01	A80AKS90X03	ITC	Inc.DY/PC MAGNET/WEDGE	AV-32F476/Y
△	V01	A80ERF182X17	ITC	Inc.DY/PC MAGNET/WEDGE	AV-32F476/Z
△	L01	QQW0090-001	DEG COIL		AV-27F476/R,AV-27F476/S
△	L01	QQW0116-001	DEG COIL		AV-32F476/Y
△	L01	QQW0176-001	DEG COIL		AV-32F476/Z
△	T502	QQH0175-001	FB TRANSF		
	3	A48457-4-S	SPRING		
	4	WJY0016-001A	E BRAIDED ASSY		AV-27F476/R,AV-27F476/S
	4	WJY0016-002A	E-BRAIDED ASSY		AV-32F476/Y,AV-32F476/Z
	5	WJY0013-003A	E-BRAIDED ASSY		
△	6	LC21260-001B-A	CONTROL KNOB		
△	7	GQ30034-001B-A	WARNING LABEL		
△	8	LC10883-001D-A	CHASSIS BASE		
△	9	LC20899-006A-A	TERMINAL BOARD		
	10	QYSBSB3010Z	TAP SCREW	M3 x 10mm(x4)	
△	11	QMPD200-200-JC	POWER CORD(US/CA)	2m BLACK	AV-27F476/R,AV-27F476/S,AV-32F476/Z
△	12	LC20106-001D-A	POWER CORD CLAMP		
△	13	LC11555-001D-A	REAR COVER		AV-27F476/R,AV-27F476/S
△	13	LC11533-001C-A	REAR COVER		AV-32F476/Y,AV-32F476/Z
	14	QYSBSFG4016Z	TAP SCREW	M4 x 16mm(x11)	
△	15	GQ30032-001A-A	RATING LABEL		
	16	QAS0243-001	SPEAKER	SP01/SP02(x2)	
	17	LC21261-001B-A	SP HOLDER	(x2)	
	18	LC41029-002A-A	TAPPING SCREW	(x4)	AV-27F476/S,AV-32F476/Y
	18	LC41029-001B-A	TAPPING SCREW	(x4)	AV-27F476/R,AV-32F476/Z
	19	LC40226-003A-H	SPACER	(x4)	
△	30	SGJ-3523A-M2	CRT SOCKET PWB		AV-27F476/R,AV-27F476/S
△	30	SGJ-3521A-M2	CRT SOCKET PWB		AV-32F476/Y
△	30	SGJ-3522A-M2	CRT SOCKET PWB		AV-32F476/Z
△	31	SGJ-6521A-M2	FRONT CONTROL PWB		
△	32	SGJ-7521A-M2	LED & POWER SW PWB		
△	33	SGJ-5521A-M2	AV SELECTOR PWB		
△	34	SGJ-1580A-M2	MAIN PWB		AV-27F476/R
△	34	SGJ-1579A-M2	MAIN PWB		AV-27F476/S
△	34	SGJ-1572A-M2	MAIN PWB		AV-32F476/Y
△	34	SGJ-1575A-M2	MAIN PWB		AV-32F476/Z

# EXPLODED VIEW -2



# PRINTED WIRING BOARD PARTS LIST [AV-27F476/R]

## MAIN P.W. BOARD ASS'Y (SGJ-1580A-M2)

△Ref No.	Part No.	Part Name	Description Local	△Ref No.	Part No.	Part Name	Description Local
IC201	TM8812CSDNG5JB4	IC		D957	1N4002G-T2	SI DIODE	
IC421	LA78041	IC		D972	MTZJ15C-T2	Z DIODE	
IC621	TFA9843J/N1	IC		D973	1SS133-T2	SI DIODE	
IC651	NJM2150AD	IC		△PC921	PC123Y22	PHOTO COUPLER	
IC702	ATE08-27F476R	IC	(SERVICE)	C001	NDC31HJ-100X	C CAPACITOR	10pF 50V J
IC703	S-80840CNY-G-T	IC		C002	QETN0JM-477Z	E CAPACITOR	470uF 6.3V M
IC704	AN78L05-T	IC		C202	QETN1HM-105Z	E CAPACITOR	1uF 50V M
IC852	L7809CP	IC		C203	NCB31HK-152X	C CAPACITOR	1500pF 50V K
IC853	L7805CP	IC		C211	QENC1CM-106Z	BP E CAPACITOR	10uF 16V M
△IC911	STR-G9626-F3	IC		C212	NDC31HJ-100X	C CAPACITOR	10pF 50V J
△IC921	SE135N	IC		C221	QETN1HM-106Z	E CAPACITOR	10uF 50V M
Q003	UN2212-X	DIGI TRANSISTOR		C222	NCF31AZ-105X	C CAPACITOR	1uF 10V Z
Q211	2SC3928A/QR/-X	TRANSISTOR		C223	NCB31HK-103X	C CAPACITOR	0.01uF 50V K
Q232	2SC3928A/QR/-X	TRANSISTOR		C233	NDC31HJ-680X	C CAPACITOR	68pF 50V J
Q233	2SC3928A/QR/-X	TRANSISTOR		C237	NCB31HK-103X	C CAPACITOR	0.01uF 50V K
Q352	2SC3928A/QR/-X	TRANSISTOR		C241	NCB31HK-103X	C CAPACITOR	0.01uF 50V K
Q501	2SC4212/Z1/	TRANSISTOR		C242	QETN1HM-225Z	E CAPACITOR	2.2uF 50V M
△Q511	2SD2645-YD	POW TRANSISTOR	H. OUT	C243	QETN0JM-227Z	E CAPACITOR	220uF 6.3V M
△Q531	2SC2785/JH/-T	TRANSISTOR		C244	NCB31HK-103X	C CAPACITOR	0.01uF 50V K
Q532	2SA1530A/QR/-X	TRANSISTOR		C281	QFVF1HJ-474Z	MF CAPACITOR	0.47uF 50V J
Q541	2SA1530A/QR/-X	TRANSISTOR		C282	QETN1CM-107Z	E CAPACITOR	100uF 16V M
Q542	2SA1530A/QR/-X	TRANSISTOR		C283	NCB31HK-103X	C CAPACITOR	0.01uF 50V K
Q543	2SD1267A/QP/	POW TRANSISTOR		C284	QETN1HM-225Z	E CAPACITOR	2.2uF 50V M
Q621	2SD601A/QR/-X	TRANSISTOR		C285	NCB31HK-103X	C CAPACITOR	0.01uF 50V K
Q622	2SD601A/QR/-X	TRANSISTOR		C286	QETN1HM-474Z	E CAPACITOR	0.47uF 50V M
Q623	2SA1530A/QR/-X	TRANSISTOR		C287	QETN1CM-107Z	E CAPACITOR	100uF 16V M
Q625	2SD601A/QR/-X	TRANSISTOR		C288	NCB31HK-103X	C CAPACITOR	0.01uF 50V K
Q701	2SA1530A/QR/-X	TRANSISTOR		C302	NCB31EK-104X	C CAPACITOR	0.1uF 25V K
Q951	2SD1383K/AB/-X	SI TRANSISTOR		C352	QETN1EM-476Z	E CAPACITOR	47uF 25V M
Q971	2SA1208/ST/Z1-T	TRANSISTOR		C354	NCB31HK-103X	C CAPACITOR	0.01uF 50V K
D308	MTZJ5.1B-T2	Z DIODE		C360	NCB31HK-103X	C CAPACITOR	0.01uF 50V K
D309	MTZJ5.1B-T2	Z DIODE		C391	QETN1CM-107Z	E CAPACITOR	100uF 16V M
D310	MTZJ4.3A-T2	Z DIODE		C392	NCB31HK-103X	C CAPACITOR	0.01uF 50V K
D352	MTZJ9.1C-T2	Z DIODE		C422	QFN32AK-102Z	M CAPACITOR	1000pF 100V K
D353	1SS133-T2	SI DIODE		C424	QETN1VM-107Z	E CAPACITOR	100uF 35V M
D354	MTZJ3.3A-T2	Z DIODE		C425	QETN1VM-477Z	E CAPACITOR	470uF 35V M
D421	1N4003-T2	SI DIODE		C427	QETN1HM-225Z	E CAPACITOR	2.2uF 50V M
D422	MTZJ75-T2	Z DIODE		C428	QETM1EM-228	E CAPACITOR	2200uF 25V M
D501	RH3G-F1	SI DIODE		C431	QFLC2AK-563Z	M CAPACITOR	0.056uF 100V K
D502	RU3AM-LFC4	SI DIODE		C433	QETN1EM-476Z	E CAPACITOR	47uF 25V M
D521	RH1S-T3	SI DIODE		C435	NCB31HK-183X	C CAPACITOR	0.018uF 50V K
D523	RGP10J-04TS-T3	SI DIODE		C440	QCS32HJ-100Z	C CAPACITOR	10pF 500V J
D525	1SS81-T5	SI DIODE		C501	QCB32HK-151Z	C CAPACITOR	150pF 500V K
D526	1SS81-T5	SI DIODE		C502	QCB32HK-331Z	C CAPACITOR	330pF 500V K
D527	1SR124-400A-T2	SI DIODE		C503	QEHR2CM-105Z	E CAPACITOR	1uF 160V M
D529	MTZJ9.1C-T2	Z DIODE		C504	QEZ0203-107	E CAPACITOR	100uF 160V M
△D531	MA4068N/Z1-T2	Z DIODE		C507	QEM61HK-475Z	E CAPACITOR	4.7uF 50V K
D535	1SS133-T2	SI DIODE		C508	QEM61HK-475Z	E CAPACITOR	4.7uF 50V K
D601	MTZJ9.1C-T2	Z DIODE		△C510	QFZ0200-482	MPP CAPACITOR	4800pF 1.5kV H
D602	MTZJ9.1C-T2	Z DIODE		△C513	QFZ0196-113	MPP CAPACITOR	0.011uF 1.5kV H
D603	MTZJ9.1C-T2	Z DIODE		C514	QFP32GJ-183	PP CAPACITOR	0.018uF 400V J
D621	1SS133-T2	SI DIODE		C515	QFZ0197-404	MPP CAPACITOR	0.4uF 250V J
D623	1SS133-T2	SI DIODE		C516	QCB32HK-561Z	C CAPACITOR	560pF 500V K
D626	1SS133-T2	SI DIODE		C521	QETN2EM-106Z	E CAPACITOR	10uF 250V M
D705	1SS133-T2	SI DIODE		C523	QEHR1VM-477Z	E CAPACITOR	470uF 35V M
D706	MTZJ5.6B-T2	Z DIODE		C525	QETN1VM-107Z	E CAPACITOR	100uF 35V M
D707	MTZJ5.6B-T2	Z DIODE		C526	QFV21HJ-824Z	MF CAPACITOR	0.82uF 50V J
D708	MTZJ5.6B-T2	Z DIODE		C527	QFLC2AJ-103Z	M CAPACITOR	0.01uF 100V J
D709	MTZJ5.6B-T2	Z DIODE		C531	QCB32HK-471Z	C CAPACITOR	470pF 500V K
△D901	GSIB460	BRIDGE DIODE		C533	QETN1HM-106Z	E CAPACITOR	10uF 50V M
D910	MA700A-T2	SB DIODE		C601	NCB31CK-224X	C CAPACITOR	0.22uF 16V K
D911	RGP10J-04TS-T3	SI DIODE		C602	NCB31CK-104X	C CAPACITOR	0.1uF 16V K
D912	RGP10J-04TS-T3	SI DIODE		C603	NCB31CK-104X	C CAPACITOR	0.1uF 16V K
D913	1SS133-T2	SI DIODE		C604	QETN1HM-106Z	E CAPACITOR	10uF 50V M
D914	1SS133-T2	SI DIODE		C621	QETN1HM-106Z	E CAPACITOR	10uF 50V M
D915	SARS01-T2	SI DIODE		C622	QETN1HM-106Z	E CAPACITOR	10uF 50V M
D917	MTZJ30A-T2	Z DIODE		C624	QETN1HM-475Z	E CAPACITOR	4.7uF 50V M
D918	MTZJ5.1C-T2	Z DIODE		C626	QETN1HM-475Z	E CAPACITOR	4.7uF 50V M
D920	1SS133-T2	SI DIODE		C627	NCF21CZ-105X	C CAPACITOR	1uF 16V Z
D931	RU4AM-LFT2	SI DIODE		C628	QETN1HM-226Z	E CAPACITOR	22uF 50V M
D933	RU3YX-LFC4	SI DIODE		C629	NCF21CZ-105X	C CAPACITOR	1uF 16V Z
D935	RU3YX-LFC4	SI DIODE		C630	QETN1EM-227Z	E CAPACITOR	220uF 25V M
D937	RU3YX-LFC4	SI DIODE		C632	QETN1EM-477Z	E CAPACITOR	470uF 25V M
D941	MTZJ33A-T2	Z DIODE		C633	QETN1EM-227Z	E CAPACITOR	220uF 25V M
D945	MTZJ9.1B-T2	Z DIODE		C634	QETN1HM-106Z	E CAPACITOR	10uF 50V M
D952	1SS133-T2	SI DIODE		C635	QETN1HM-105Z	E CAPACITOR	1uF 50V M
D953	1SS133-T2	SI DIODE		C637	QETN1EM-108Z	E CAPACITOR	1000uF 25V M
D954	1N4002G-T2	SI DIODE		C638	QETN1EM-108Z	E CAPACITOR	1000uF 25V M
D955	1N4002G-T2	SI DIODE		C651	NCF31AZ-105X	C CAPACITOR	1uF 10V Z
D956	1N4002G-T2	SI DIODE		C652	NCF31AZ-105X	C CAPACITOR	1uF 10V Z
				C655	NCB31HK-332X	C CAPACITOR	3300pF 50V K
				C656	NCB31HK-332X	C CAPACITOR	3300pF 50V K

△Ref No.	Part No.	Part Name	Description Local	△Ref No.	Part No.	Part Name	Description Local
C657	NCB31HK-333X	C CAPACITOR	0.033uF 50V K	R303	NRSA63J-222X	MG RESISTOR	2.2kΩ 1/16W J
C658	NCB31HK-333X	C CAPACITOR	0.033uF 50V K	R304	NRSA63J-101X	MG RESISTOR	100Ω 1/16W J
C659	QETN1HM-106Z	E CAPACITOR	10uF 50V M	R305	NRSA63J-101X	MG RESISTOR	100Ω 1/16W J
C660	QETN1EM-476Z	E CAPACITOR	47uF 25V M	R306	NRSA63J-101X	MG RESISTOR	100Ω 1/16W J
C661	NCB31HK-103X	C CAPACITOR	0.01uF 50V K	R318	NRSA63J-472X	MG RESISTOR	4.7kΩ 1/16W J
C662	QETN1HM-106Z	E CAPACITOR	10uF 50V M	R319	NRSA63J-102X	MG RESISTOR	1kΩ 1/16W J
C700	NCB31HK-102X	C CAPACITOR	1000pF 50V K	R354	NRSA63J-0R0X	MG RESISTOR	0Ω 1/16W J
C701	QETN1HM-106Z	E CAPACITOR	10uF 50V M	R355	NRSA63J-0R0X	MG RESISTOR	0Ω 1/16W J
C702	QETN1HM-106Z	E CAPACITOR	10uF 50V M	R356	NRSA63J-123X	MG RESISTOR	12kΩ 1/16W J
C703	QETN1HM-106Z	E CAPACITOR	10uF 50V M	R359	NRSA63J-103X	MG RESISTOR	10kΩ 1/16W J
C704	QETN1CM-107Z	E CAPACITOR	100uF 16V M	R421	NRSA63J-822X	MG RESISTOR	8.2kΩ 1/16W J
C705	NCB31HK-103X	C CAPACITOR	0.01uF 50V K	R423	NRSA63J-393X	MG RESISTOR	39kΩ 1/16W J
C708	NDC31HJ-220X	C CAPACITOR	22pF 50V J	R424	NRSA63J-393X	MG RESISTOR	39kΩ 1/16W J
C709	NDC31HJ-220X	C CAPACITOR	22pF 50V J	R426	NRSA63J-183X	MG RESISTOR	18kΩ 1/16W J
C711	QETN1CM-107Z	E CAPACITOR	100uF 16V M	R427	QRT029J-1R5	MF RESISTOR	1.5Ω 2W J
C712	NCB31HK-103X	C CAPACITOR	0.01uF 50V K	R429	NRSA63J-272X	MG RESISTOR	2.7kΩ 1/16W J
C728	NCB31HK-103X	C CAPACITOR	0.01uF 50V K	R431	NRSA63J-152X	MG RESISTOR	1.5kΩ 1/16W J
C807	QETN1AM-477Z	E CAPACITOR	470uF 10V M	R432	NRSA63J-101X	MG RESISTOR	100Ω 1/16W J
C815	NCB31HK-103X	C CAPACITOR	0.01uF 50V K	R433	NRSA63J-681X	MG RESISTOR	680Ω 1/16W J
C853	QETN1EM-227Z	E CAPACITOR	220uF 25V M	R434	QRL029J-181	OMF RESISTOR	180Ω 2W J
C854	QETN1CM-227Z	E CAPACITOR	220uF 16V M	R435	QRE121J-102Y	C RESISTOR	1kΩ 1/2W J
C856	QETN1CM-227Z	E CAPACITOR	220uF 16V M	R441	NRSA63J-0R0X	MG RESISTOR	0Ω 1/16W J
C857	QETN0JM-477Z	E CAPACITOR	470uF 6.3V M	R501	NRSA63J-0R0X	MG RESISTOR	0Ω 1/16W J
△C901	QFZ9072-104	MM CAPACITOR	0.1uF AC250V K	R502	NRSA63J-221X	MG RESISTOR	220Ω 1/16W J
△C902	QFZ9072-473	MM CAPACITOR	0.047uF AC250V K	R503	QRE121J-103Y	C RESISTOR	10kΩ 1/2W J
△C903	QFZ9072-104	MM CAPACITOR	0.1uF AC250V K	R504	QRL039J-222	OMF RESISTOR	2.2kΩ 3W J
△C905	QCZ9054-102	C CAPACITOR	1000pF AC250V Z	R505	QRL039J-182	OMF RESISTOR	1.8kΩ 3W J
C907	QE20644-567	E CAPACITOR	560uF 200V K	R511	QRE121J-220Y	C RESISTOR	22Ω 1/2W J
△C908	QCZ9054-102	C CAPACITOR	1000pF AC250V Z	R512	QRE121J-681Y	C RESISTOR	680Ω 1/2W J
C912	QCZ0340-222	C CAPACITOR	2200pF 2kV K	R516	QRZ0221-2R0	OMF RESISTOR	2Ω 7W K
C913	QFLC1HJ-471Z	M CAPACITOR	470pF 50V J	R524	NRSA63J-563X	MG RESISTOR	56kΩ 1/16W J
C914	QETN1HM-107Z	E CAPACITOR	100uF 50V M	R526	QRE121J-272Y	C RESISTOR	2.7kΩ 1/16W J
C916	NDC31HJ-331X	C CAPACITOR	330pF 50V J	R527	QRE121J-154Y	C RESISTOR	150kΩ 1/2W J
C917	NCB31HK-182X	C CAPACITOR	1800pF 50V K	R528	QRE121J-154Y	C RESISTOR	150kΩ 1/2W J
C918	NCB31HK-104X	C CAPACITOR	0.1uF 50V K	R529	NRSA63J-331X	MG RESISTOR	330Ω 1/16W J
C919	QFP32GJ-103	PP CAPACITOR	0.01uF 400V J	△R531	QRZ0230-391X	UNF C RESISTOR	390Ω 1/4W J
C931	QE20203-227	E CAPACITOR	220uF 160V M	R532	NRSA63J-273X	MG RESISTOR	27kΩ 1/16W J
C932	QETN1EM-108Z	E CAPACITOR	1000uF 25V M	R533	NRSA63J-123X	MG RESISTOR	12kΩ 1/16W J
C933	QETN1EM-108Z	E CAPACITOR	1000uF 25V M	R534	NRSA63J-123X	MG RESISTOR	12kΩ 1/16W J
C934	NDC31HJ-221X	C CAPACITOR	220pF 50V J	△R535	NRVA02D-272X	CMF RESISTOR	2.7kΩ 1/10W D
C935	QETN1VM-108Z	E CAPACITOR	1000uF 35V M	R536	QRE121J-470Y	C RESISTOR	47Ω 1/2W J
C937	QCZ0340-102	C CAPACITOR	1000pF 2kV K	△R537	NRVA02D-752X	CMF RESISTOR	7.5kΩ 1/10W D
C938	QETN1EM-477Z	E CAPACITOR	470uF 25V M	R538	NRSA63J-333X	MG RESISTOR	33kΩ 1/16W J
C939	QCB32HK-152Z	C CAPACITOR	1500pF 500V K	R543	QRE121J-122Y	C RESISTOR	1.2kΩ 1/2W J
C941	QCB32HK-102Z	C CAPACITOR	1000pF 500V K	R544	QRE121J-392Y	C RESISTOR	3.9kΩ 1/2W J
C942	QEHR1HM-105Z	E CAPACITOR	1uF 50V M	R545	QRE121J-822Y	C RESISTOR	8.2kΩ 1/2W J
C943	QETN1CM-108Z	E CAPACITOR	1000uF 16V M	R546	NRSA63J-331X	MG RESISTOR	330Ω 1/16W J
C951	QETN1EM-477Z	E CAPACITOR	470uF 25V M	R547	NRSA63J-104X	MG RESISTOR	100kΩ 1/16W J
C952	QETN1CM-227Z	E CAPACITOR	220uF 16V M	R548	QRE121J-152Y	C RESISTOR	1.5kΩ 1/2W J
C971	QETN1CM-107Z	E CAPACITOR	100uF 16V M	R553	QRL039J-390	OMF RESISTOR	39Ω 3W J
C972	QETN1EM-476Z	E CAPACITOR	47uF 25V M	△R554	QRK126J-150X	UNF C RESISTOR	15Ω 1/2W J
△C997	QCZ9079-102	C CAPACITOR	1000pF AC250V M	R555	QRT029J-3R3	MF RESISTOR	3.3Ω 2W J
△C998	QCZ9074-103	C CAPACITOR	0.01uF AC250V M	R601	NRSA63J-750X	MG RESISTOR	75Ω 1/16W J
△C999	QCZ9074-103	C CAPACITOR	0.01uF AC250V M	R602	NRSA63J-750X	MG RESISTOR	75Ω 1/16W J
				R603	NRSA63J-750X	MG RESISTOR	75Ω 1/16W J
R001	NRSA63J-101X	MG RESISTOR	100Ω 1/16W J	R621	NRSA63J-123X	MG RESISTOR	12kΩ 1/16W J
R002	NRSA63J-101X	MG RESISTOR	100Ω 1/16W J	R623	NRSA63J-102X	MG RESISTOR	1kΩ 1/16W J
R003	NRSA63J-101X	MG RESISTOR	100Ω 1/16W J	R624	NRSA63J-123X	MG RESISTOR	12kΩ 1/16W J
R004	NRSA63J-0R0X	MG RESISTOR	0Ω 1/16W J	R626	NRSA63J-102X	MG RESISTOR	1kΩ 1/16W J
R008	NRSA63J-101X	MG RESISTOR	100Ω 1/16W J	R627	NRSA63J-102X	MG RESISTOR	1kΩ 1/16W J
R010	NRSA63J-101X	MG RESISTOR	100Ω 1/16W J	R628	NRSA63J-103X	MG RESISTOR	10kΩ 1/16W J
R201	NRSA63J-223X	MG RESISTOR	22kΩ 1/16W J	R630	NRSA63J-472X	MG RESISTOR	4.7kΩ 1/16W J
R212	NRSA63J-272X	MG RESISTOR	2.7kΩ 1/16W J	R631	NRSA63J-103X	MG RESISTOR	10kΩ 1/16W J
R215	NRSA63J-562X	MG RESISTOR	5.6kΩ 1/16W J	R649	NRSA63J-104X	MG RESISTOR	100kΩ 1/16W J
R216	NRSA63J-562X	MG RESISTOR	5.6kΩ 1/16W J	R651	NRSA63J-223X	MG RESISTOR	22kΩ 1/16W J
R217	NRSA63J-102X	MG RESISTOR	1kΩ 1/16W J	R652	NRSA63J-223X	MG RESISTOR	22kΩ 1/16W J
R227	NRSA63J-104X	MG RESISTOR	100kΩ 1/16W J	R653	NRSA63J-223X	MG RESISTOR	22kΩ 1/16W J
R231	NRSA63J-182X	MG RESISTOR	1.8kΩ 1/16W J	R654	NRSA63J-223X	MG RESISTOR	22kΩ 1/16W J
R237	NRSA63J-392X	MG RESISTOR	3.9kΩ 1/16W J	R655	NRSA63J-0R0X	MG RESISTOR	0Ω 1/16W J
R238	NRSA63J-473X	MG RESISTOR	47kΩ 1/16W J	R657	NRSA63J-0R0X	MG RESISTOR	0Ω 1/16W J
R241	NRSA63J-332X	MG RESISTOR	3.3kΩ 1/16W J	R659	NRSA63J-103X	MG RESISTOR	10kΩ 1/16W J
R243	NRSA63J-152X	MG RESISTOR	1.5kΩ 1/16W J	R700	NRSA63J-102X	MG RESISTOR	1kΩ 1/16W J
R281	NRSA63J-182X	MG RESISTOR	1.8kΩ 1/16W J	R701	NRSA63J-103X	MG RESISTOR	10kΩ 1/16W J
R282	NRSA63J-392X	MG RESISTOR	3.9kΩ 1/16W J	R702	NRSA63J-102X	MG RESISTOR	1kΩ 1/16W J
R283	NRSA63J-681X	MG RESISTOR	680Ω 1/16W J	R704	NRSA63J-472X	MG RESISTOR	4.7kΩ 1/16W J
R286	NRSA63J-472X	MG RESISTOR	4.7kΩ 1/16W J	R705	NRSA63J-472X	MG RESISTOR	4.7kΩ 1/16W J
R287	NRSA63J-101X	MG RESISTOR	100Ω 1/16W J	R706	NRSA63J-472X	MG RESISTOR	4.7kΩ 1/16W J
R288	NRSA02J-471X	MG RESISTOR	470Ω 1/10W J	R707	NRSA63J-103X	MG RESISTOR	10kΩ 1/16W J
R289	NRSA63J-154X	MG RESISTOR	150kΩ 1/16W J	R708	NRSA63J-101X	MG RESISTOR	100Ω 1/16W J
R290	NRSA02J-561X	MG RESISTOR	560Ω 1/10W J	R709	NRSA63J-101X	MG RESISTOR	100Ω 1/16W J
R292	NRSA63J-124X	MG RESISTOR	120kΩ 1/16W J	R718	NRSA63J-101X	MG RESISTOR	100Ω 1/16W J
R293	NRSA63J-224X	MG RESISTOR	220kΩ 1/16W J	R721	NRSA63J-102X	MG RESISTOR	1kΩ 1/16W J
R296	NRSA63J-101X	MG RESISTOR	100Ω 1/16W J	R729	NRSA63J-223X	MG RESISTOR	22kΩ 1/16W J
R297	NRSA63J-101X	MG RESISTOR	100Ω 1/16W J	R731	NRSA63J-101X	MG RESISTOR	100Ω 1/16W J
R298	NRSA63J-101X	MG RESISTOR	100Ω 1/16W J	R732	NRSA63J-101X	MG RESISTOR	100Ω 1/16W J
R301	NRSA63J-222X	MG RESISTOR	2.2kΩ 1/16W J	R733	NRSA63J-472X	MG RESISTOR	4.7kΩ 1/16W J
R302	NRSA63J-222X	MG RESISTOR	2.2kΩ 1/16W J	R734	NRSA63J-472X	MG RESISTOR	4.7kΩ 1/16W J

△Ref No.	Part No.	Part Name	Description Local
R739	NRSA63J-272X	MG RESISTOR	2.7kΩ 1/16W J
R740	NRSA63J-103X	MG RESISTOR	10kΩ 1/16W J
R764	NRSA63J-221X	MG RESISTOR	220Ω 1/16W J
R765	NRSA63J-221X	MG RESISTOR	220Ω 1/16W J
R766	NRSA63J-221X	MG RESISTOR	220Ω 1/16W J
R767	NRSA63J-221X	MG RESISTOR	220Ω 1/16W J
R769	NRSA63J-682X	MG RESISTOR	6.8kΩ 1/16W J
R772	NRSA63J-103X	MG RESISTOR	10kΩ 1/16W J
R811	NRSA63J-101X	MG RESISTOR	100Ω 1/16W J
R816	NRSA63J-101X	MG RESISTOR	100Ω 1/16W J
R827	NRSA63J-102X	MG RESISTOR	1kΩ 1/16W J
R839	NRSA63J-225X	MG RESISTOR	2.2MΩ 1/16W J
R855	QRL029J-820	OMF RESISTOR	82Ω 2W J
R857	QRL029J-820	OMF RESISTOR	82Ω 2W J
R901	QRF074K-1R2	UNF WW RESISTOR	1.2Ω 7W K
R909	QRG01GJ-470	OMF RESISTOR	47Ω 1W J
R911	QRE121J-223Y	C RESISTOR	22kΩ 1/2W J
R912	QRT029J-R18	MF RESISTOR	0.18Ω 2W J
R913	QRT029J-R15	MF RESISTOR	0.15Ω 2W J
△R914	QRK126J-681X	UNF C RESISTOR	680Ω 1/2W J
△R915	QRK129J-6R8	UNF C RESISTOR	6.8Ω 1/2W J
△R917	QRK126J-332X	UNF C RESISTOR	3.3kΩ 1/2W J
R918	QRE121J-222Y	C RESISTOR	2.2kΩ 1/2W J
R919	QRE121J-684Y	C RESISTOR	680kΩ 1/2W J
R924	QRE121J-222Y	C RESISTOR	2.2kΩ 1/2W J
R930	QRE121J-223Y	C RESISTOR	22kΩ 1/2W J
R933	QRX01GJ-1R0	MF RESISTOR	1Ω 1W J
R940	QRE121J-181Y	C RESISTOR	180Ω 1/2W J
R941	QRL029J-183	OMF RESISTOR	18kΩ 2W J
R950	NRSA63J-0R0X	MG RESISTOR	0Ω 1/16W J
R951	NRSA63J-473X	MG RESISTOR	47kΩ 1/16W J
R952	NRSA63J-102X	MG RESISTOR	1kΩ 1/16W J
R953	QRE121J-820Y	C RESISTOR	82Ω 1/2W J
R972	NRVA02D-122X	CMF RESISTOR	1.2kΩ 1/10W D
R973	NRVA02D-332X	CMF RESISTOR	3.3kΩ 1/10W D
R975	QRE121J-223Y	C RESISTOR	22kΩ 1/2W J
R977	QRE121J-473Y	C RESISTOR	47kΩ 1/2W J
R978	NRSA63J-333X	MG RESISTOR	33kΩ 1/16W J
△R998	QRZ9041-275	C RESISTOR	2.7MΩ 1/2W K
R999	QRE121J-121Y	C RESISTOR	120Ω 1/2W J
L001	QQL244K-220Z	PEAKING COIL	22uH K
L232	QQL244K-560Z	PEAKING COIL	56uH K
L241	QQL244K-220Z	PEAKING COIL	22uH K
L391	QQL244K-220Z	PEAKING COIL	22uH K
L511	QQR1165-001	LINEARITY COIL	
L512	QQLZ036-821	COIL	820uH K
L521	QQLZ026-360	COIL	36uH ±7%
L701	QQL244K-220Z	PEAKING COIL	22uH K
L702	QQL244K-220Z	PEAKING COIL	22uH K
L703	QQL244K-220Z	PEAKING COIL	22uH K
L704	QQL244K-220Z	PEAKING COIL	22uH K
L705	QQL244K-220Z	PEAKING COIL	22uH K
L931	QQL26AK-470Z	CHOKE COIL	47uH K
L933	QQL26AK-470Z	CHOKE COIL	47uH K
L937	QQL26AK-470Z	CHOKE COIL	47uH K
L940	QQR0582-001Z	FERRITE BEADS	
T501	QQR1414-001	DRIVE TRANSF	
△T921	QQS0152-001	SW TRANSF	
△T951	QQT0355-001	POWER TRANSF	
CN001	QGB1505J1-35	CONNECTOR	B-B (1-35)
CN0E1	CE41507-001P	LV CONNECTOR	
CN0E3	CE41507-001P	LV CONNECTOR	
CN0HV	QGZ5004C1-06	CONNECTOR	(1-6)
△CN0PW	QMPD390-200-JS	POWER CORD(US/CA)	2m BLACK
△CP936	ICP-N70-T	IC PROTECTOR	2.5A
△F901	QMF51N1-5R0-J5	FUSE	5A AC125V
△FR525	QRZ9017-4R7	FUSI RESISTOR	4.7Ω 1/4W J
J601	QNN0349-002	PIN JACK	COMPONENT IN
K401	QQR0621-002Z	FERRITE BEADS	
K912	QQR0582-001Z	FERRITE BEADS	
K916	QQR0582-001Z	FERRITE BEADS	
K917	QQR0582-001Z	FERRITE BEADS	
K918	QQR0582-001Z	FERRITE BEADS	
K920	QQR1139-001	FERRITE BEADS	
K931	QQR0582-001Z	FERRITE BEADS	
K932	QQR0582-001Z	FERRITE BEADS	
K933	QQR0582-001Z	FERRITE BEADS	
K935	QQR0582-001Z	FERRITE BEADS	
K937	QQR0582-001Z	FERRITE BEADS	
LC601	QQR1199-001	EMI FILTER	
LC602	QQR1199-001	EMI FILTER	
LC603	QQR1199-001	EMI FILTER	
△LF901	QQR0527-003	LINE FILTER	
△LF902	QQR0527-003	LINE FILTER	
△RY951	QSK0085-001	RELAY	

△Ref No.	Part No.	Part Name	Description Local
S421	QSL4A13-C02	LEVER SWITCH	V.CENTER
△TH901	QAD0132-3R0	P THERMISTOR	3Ω
△TU001	QAU0352-002	TUNER	
△VA901	ERZV10V621CS	ZNR	
X701	QAX0767-001Z	CRYSTAL	8MHz

### CRT SOCKET P.W. BOARD ASS'Y (SGJ-3523A-M2)

△Ref No.	Part No.	Part Name	Description Local
Q3103	2SC3928A/QR-X	TRANSISTOR	
Q3107	2SA2005/DE/	POW TRANSISTOR	
Q3108	2SC5511/DE/	POW TRANSISTOR	
Q3109	2SC3928A/QR-X	TRANSISTOR	
Q3304	2SC4544-LB	POW TRANSISTOR	
Q3305	2SC4544-LB	POW TRANSISTOR	
Q3306	2SC4544-LB	POW TRANSISTOR	
Q3351	2SA1530A/QR-X	TRANSISTOR	
D3105	RH1S-T3	SI DIODE	
D3106	RH1S-T3	SI DIODE	
D3331	1SS133-T2	SI DIODE	
D3351	1SS133-T2	SI DIODE	
D3352	1SS133-T2	SI DIODE	
D3353	1SS133-T2	SI DIODE	
D3354	1SS133-T2	SI DIODE	
C3101	QETN1HM-106Z	E CAPACITOR	10uF 50V M
C3113	QETN2CM-106Z	E CAPACITOR	10uF 160V M
C3114	QCB32HK-472Z	C CAPACITOR	4700pF 500V K
C3115	QCB32HK-472Z	C CAPACITOR	4700pF 500V K
C3117	QETN2CM-106Z	E CAPACITOR	10uF 160V M
C3118	QETN0JM-107Z	E CAPACITOR	100uF 6.3V M
C3119	QETN1AM-107Z	E CAPACITOR	100uF 10V M
C3120	QETN1AM-337Z	E CAPACITOR	330uF 10V M
C3121	QCS32HJ-151Z	C CAPACITOR	150pF 500V J
C3127	NDC31HJ-471X	C CAPACITOR	470pF 50V J
C3301	NDC31HJ-561X	C CAPACITOR	560pF 50V J
C3302	NDC31HJ-391X	C CAPACITOR	390pF 50V J
C3303	NDC31HJ-561X	C CAPACITOR	560pF 50V J
C3323	QETN1CM-107Z	E CAPACITOR	100uF 16V M
C3331	NDC31HJ-181X	C CAPACITOR	180pF 50V J
C3332	NDC31HJ-181X	C CAPACITOR	180pF 50V J
C3333	NDC31HJ-181X	C CAPACITOR	180pF 50V J
C3351	QETN1CM-107Z	E CAPACITOR	100uF 16V M
C3363	QQT0121-102	C CAPACITOR	1000pF 3KV Z
R3115	NRSA63J-470X	MG RESISTOR	47Ω 1/16W J
R3116	NRSA63J-470X	MG RESISTOR	47Ω 1/16W J
R3122	QRT029J-R15	MF RESISTOR	0.15Ω 2W J
R3123	NRSA63J-122X	MG RESISTOR	1.2kΩ 1/16W J
R3124	NRSA63J-820X	MG RESISTOR	82Ω 1/16W J
R3125	NRSA63J-100X	MG RESISTOR	10Ω 1/16W J
R3126	NRSA63J-563X	MG RESISTOR	56kΩ 1/16W J
R3127	NRSA63J-563X	MG RESISTOR	56kΩ 1/16W J
R3128	NRSA63J-122X	MG RESISTOR	1.2kΩ 1/16W J
R3129	NRSA63J-100X	MG RESISTOR	10Ω 1/16W J
R3130	NRSA63J-820X	MG RESISTOR	82Ω 1/16W J
R3131	NRSA63J-331X	MG RESISTOR	330Ω 1/16W J
R3132	QRL029J-391	OMF RESISTOR	390Ω 2W J
R3134	NRSA63J-101X	MG RESISTOR	100Ω 1/16W J
R3136	NRSA63J-392X	MG RESISTOR	3.9kΩ 1/16W J
R3139	NRSA63J-331X	MG RESISTOR	330Ω 1/16W J
R3142	NRSA63J-123X	MG RESISTOR	12kΩ 1/16W J
R3143	NRSA63J-122X	MG RESISTOR	1.2kΩ 1/16W J
R3144	NRSA63J-101X	MG RESISTOR	100Ω 1/16W J
R3145	NRSA63J-100X	MG RESISTOR	10Ω 1/16W J
R3146	NRSA63J-100X	MG RESISTOR	10Ω 1/16W J
R3148	NRSA63J-101X	MG RESISTOR	100Ω 1/16W J
R3301	NRSA63J-151X	MG RESISTOR	150Ω 1/16W J
R3302	NRSA63J-151X	MG RESISTOR	150Ω 1/16W J
R3303	NRSA63J-151X	MG RESISTOR	150Ω 1/16W J
R3304	NRSA63J-151X	MG RESISTOR	150Ω 1/16W J
R3305	NRSA63J-151X	MG RESISTOR	150Ω 1/16W J
R3306	NRSA63J-151X	MG RESISTOR	150Ω 1/16W J
R3307	NRSA63J-470X	MG RESISTOR	47Ω 1/16W J
R3308	NRSA63J-470X	MG RESISTOR	47Ω 1/16W J
R3309	NRSA63J-470X	MG RESISTOR	47Ω 1/16W J
R3310	QRL029J-183	OMF RESISTOR	18kΩ 2W J
R3311	QRL029J-183	OMF RESISTOR	18kΩ 2W J
R3312	QRL029J-183	OMF RESISTOR	18kΩ 2W J
R3313	QRL029J-223	OMF RESISTOR	22kΩ 2W J
R3314	QRL029J-223	OMF RESISTOR	22kΩ 2W J
R3315	QRL029J-223	OMF RESISTOR	22kΩ 2W J

△Ref No.	Part No.	Part Name	Description Local	△Ref No.	Part No.	Part Name	Description Local
R3325	QRZ0107-102Z	C RESISTOR	1kΩ 1/2W K	C5025	NCB31EK-104X	C CAPACITOR	0.1uF 25V K
R3326	QRZ0107-102Z	C RESISTOR	1kΩ 1/2W K	C5026	QETN1HM-335Z	E CAPACITOR	3.3uF 50V M
R3327	QRZ0107-102Z	C RESISTOR	1kΩ 1/2W K	C5027	NCB31HK-103X	C CAPACITOR	0.01uF 50V K
R3331	NRSA63J-222X	MG RESISTOR	2.2kΩ 1/16W J	C5028	NCB31HK-103X	C CAPACITOR	0.01uF 50V K
R3332	NRSA63J-222X	MG RESISTOR	2.2kΩ 1/16W J	C5029	NCB31HK-103X	C CAPACITOR	0.01uF 50V K
R3333	NRSA63J-222X	MG RESISTOR	2.2kΩ 1/16W J	C5030	QETN1CM-227Z	E CAPACITOR	220uF 16V M
R3334	NRSA63J-182X	MG RESISTOR	1.8kΩ 1/16W J	C5031	QETN1HM-106Z	E CAPACITOR	10uF 50V M
R3335	NRSA63J-391X	MG RESISTOR	390Ω 1/16W J	C5203	QETN1EM-476Z	E CAPACITOR	47uF 25V M
R3351	NRSA63J-821X	MG RESISTOR	820Ω 1/16W J	C5204	NCB31HK-103X	C CAPACITOR	0.01uF 50V K
R3354	NRSA63J-102X	MG RESISTOR	1kΩ 1/16W J	C5205	QETN1EM-476Z	E CAPACITOR	47uF 25V M
L3304	QQL244K-470Z	PEAKING COIL	47uH K	C5206	NCB31HK-103X	C CAPACITOR	0.01uF 50V K
△SK3001	QNZ0536-001	CRT SOCKET		C5211	QENC1CM-106Z	BP E CAPACITOR	10uF 16V M
△SK3001	QNZ0536-001	CRT SOCKET		C5212	NDC31HJ-101X	C CAPACITOR	100pF 50V J
△SK3001	QNZ0536-001	CRT SOCKET		C5213	NDC31HJ-470X	C CAPACITOR	47pF 50V J
△SK3001	QNZ0536-001	CRT SOCKET		C5214	NDC31HJ-181X	C CAPACITOR	180pF 50V J
△SK3001	QNZ0536-001	CRT SOCKET		C5215	QETN1HM-474Z	E CAPACITOR	0.47uF 50V M
△SK3001	QNZ0536-001	CRT SOCKET		C5226	NCB31HK-103X	C CAPACITOR	0.01uF 50V K
△SK3001	QNZ0536-001	CRT SOCKET		C5231	QETN1CM-107Z	E CAPACITOR	100uF 16V M
△SK3001	QNZ0536-001	CRT SOCKET		C5232	NCB31HK-103X	C CAPACITOR	0.01uF 50V K
△SK3001	QNZ0536-001	CRT SOCKET		C5233	NCB31HK-103X	C CAPACITOR	0.01uF 50V K
△SK3001	QNZ0536-001	CRT SOCKET		C5234	NCB31HK-103X	C CAPACITOR	0.01uF 50V K
△SK3001	QNZ0536-001	CRT SOCKET		C5235	NCB31HK-103X	C CAPACITOR	0.01uF 50V K
△SK3001	QNZ0536-001	CRT SOCKET		C5236	QETN1CM-107Z	E CAPACITOR	100uF 16V M
△SK3001	QNZ0536-001	CRT SOCKET		C5237	NCB31HK-103X	C CAPACITOR	0.01uF 50V K
△SK3001	QNZ0536-001	CRT SOCKET		C5238	QETN1CM-107Z	E CAPACITOR	100uF 16V M
△SK3001	QNZ0536-001	CRT SOCKET		C5239	NCB31HK-103X	C CAPACITOR	0.01uF 50V K
△SK3001	QNZ0536-001	CRT SOCKET		C5240	NCB31HK-103X	C CAPACITOR	0.01uF 50V K
△SK3001	QNZ0536-001	CRT SOCKET		C5241	NCB31HK-103X	C CAPACITOR	0.01uF 50V K
△SK3001	QNZ0536-001	CRT SOCKET		C5242	QETN1CM-107Z	E CAPACITOR	100uF 16V M
△SK3001	QNZ0536-001	CRT SOCKET		C5243	NCB31HK-103X	C CAPACITOR	0.01uF 50V K
△SK3001	QNZ0536-001	CRT SOCKET		C5246	NDC31HJ-181X	C CAPACITOR	180pF 50V J
△SK3001	QNZ0536-001	CRT SOCKET		C5247	NCB31HK-103X	C CAPACITOR	0.01uF 50V K
△SK3001	QNZ0536-001	CRT SOCKET		C5251	QETN1EM-476Z	E CAPACITOR	47uF 25V M
△SK3001	QNZ0536-001	CRT SOCKET		C5252	NCB31HK-103X	C CAPACITOR	0.01uF 50V K
△SK3001	QNZ0536-001	CRT SOCKET		C5253	NDC31HJ-820X	C CAPACITOR	82pF 50V J
△SK3001	QNZ0536-001	CRT SOCKET		C5255	NDC31HJ-470X	C CAPACITOR	47pF 50V J
△SK3001	QNZ0536-001	CRT SOCKET		C5263	NDC31HJ-470X	C CAPACITOR	47pF 50V J
△SK3001	QNZ0536-001	CRT SOCKET		C5380	QETN1HM-106Z	E CAPACITOR	10uF 50V M
△SK3001	QNZ0536-001	CRT SOCKET		C5391	QETN1HM-474Z	E CAPACITOR	0.47uF 50V M
△SK3001	QNZ0536-001	CRT SOCKET		C5392	QETN1HM-474Z	E CAPACITOR	0.47uF 50V M
△SK3001	QNZ0536-001	CRT SOCKET		C5501	QETN1HM-225Z	E CAPACITOR	2.2uF 50V M
△SK3001	QNZ0536-001	CRT SOCKET		C5502	QETN1HM-225Z	E CAPACITOR	2.2uF 50V M
△SK3001	QNZ0536-001	CRT SOCKET		C5503	QETN1HM-106Z	E CAPACITOR	10uF 50V M
△SK3001	QNZ0536-001	CRT SOCKET		C5504	QETN1HM-106Z	E CAPACITOR	10uF 50V M
△SK3001	QNZ0536-001	CRT SOCKET		C5508	QETN1HM-106Z	E CAPACITOR	10uF 50V M
△SK3001	QNZ0536-001	CRT SOCKET		C5509	NCB31HK-103X	C CAPACITOR	0.01uF 50V K
△SK3001	QNZ0536-001	CRT SOCKET		C5520	QETN1HM-225Z	E CAPACITOR	2.2uF 50V M
△SK3001	QNZ0536-001	CRT SOCKET		C5521	QETN1HM-225Z	E CAPACITOR	2.2uF 50V M
△SK3001	QNZ0536-001	CRT SOCKET		C5531	NCB31HK-103X	C CAPACITOR	0.01uF 50V K
△SK3001	QNZ0536-001	CRT SOCKET		C5532	QETN1EM-476Z	E CAPACITOR	47uF 25V M
△SK3001	QNZ0536-001	CRT SOCKET		C5533	NCB31HK-103X	C CAPACITOR	0.01uF 50V K
△SK3001	QNZ0536-001	CRT SOCKET		C5534	QENC1CM-106Z	BP E CAPACITOR	10uF 16V M

### AV SELECTOR P.W. BOARD ASS'Y (SGJ-5521A-M2)

△Ref No.	Part No.	Part Name	Description Local	△Ref No.	Part No.	Part Name	Description Local
IC5001	CXA2205Q-X	IC		R5001	NRSA63J-105X	MG RESISTOR	1MΩ 1/16W J
IC5201	TC90A49AP	IC		R5002	NRSA63J-104X	MG RESISTOR	100kΩ 1/16W J
IC5501	TA1218AN	IC		R5003	NRSA63J-223X	MG RESISTOR	22kΩ 1/16W J
Q5001	2SA1530A/QR/-X	TRANSISTOR		R5004	NRSA63J-103X	MG RESISTOR	10kΩ 1/16W J
Q5002	2SA1530A/QR/-X	TRANSISTOR		R5005	NRSA63J-683X	MG RESISTOR	68kΩ 1/16W J
Q5211	2SC3928A/QR/-X	TRANSISTOR		R5007	NRSA63J-332X	MG RESISTOR	3.3kΩ 1/16W J
Q5212	2SC3928A/QR/-X	TRANSISTOR		R5008	NRSA63J-332X	MG RESISTOR	3.3kΩ 1/16W J
Q5251	2SC3928A/QR/-X	TRANSISTOR		R5009	NRSA63J-333X	MG RESISTOR	33kΩ 1/16W J
Q5252	2SA1530A/QR/-X	TRANSISTOR		R5010	NRSA63J-392X	MG RESISTOR	3.9kΩ 1/16W J
Q5253	2SA1530A/QR/-X	TRANSISTOR		R5011	NRSA63J-101X	MG RESISTOR	100Ω 1/16W J
Q5261	2SA1530A/QR/-X	TRANSISTOR		R5012	NRSA63J-101X	MG RESISTOR	100Ω 1/16W J
Q5262	2SC3928A/QR/-X	TRANSISTOR		R5013	NRSA63J-101X	MG RESISTOR	100Ω 1/16W J
Q5263	2SA1530A/QR/-X	TRANSISTOR		R5014	NRSA63J-101X	MG RESISTOR	100Ω 1/16W J
Q5384	DTC323TK-X	DIGI TRANSISTOR		R5015	NRSA63J-101X	MG RESISTOR	100Ω 1/16W J
Q5385	DTC323TK-X	DIGI TRANSISTOR		R5016	NRSA63J-101X	MG RESISTOR	100Ω 1/16W J
Q5386	DTC323TK-X	DIGI TRANSISTOR		R5017	NRSA63J-105X	MG RESISTOR	1MΩ 1/16W J
Q5387	DTC323TK-X	DIGI TRANSISTOR		R5031	NRSA63J-101X	MG RESISTOR	100Ω 1/16W J
Q5501	2SA1530A/QR/-X	TRANSISTOR		R5032	NRSA63J-101X	MG RESISTOR	100Ω 1/16W J
D5391	MTZJ9.1C-T2	Z DIODE		R5033	NRSA63J-272X	MG RESISTOR	2.7kΩ 1/16W J
D5392	MTZJ9.1C-T2	Z DIODE		R5034	NRSA63J-272X	MG RESISTOR	2.7kΩ 1/16W J
D5501	MTZJ9.1C-T2	Z DIODE		R5210	NRSA63J-0R0X	MG RESISTOR	0Ω 1/16W J
D5502	MTZJ9.1C-T2	Z DIODE		R5211	NRSA63J-332X	MG RESISTOR	3.3kΩ 1/16W J
D5503	MTZJ9.1C-T2	Z DIODE		R5212	NRSA63J-103X	MG RESISTOR	10kΩ 1/16W J
D5504	MTZJ9.1C-T2	Z DIODE		R5213	NRSA63J-102X	MG RESISTOR	1kΩ 1/16W J
D5505	MTZJ9.1C-T2	Z DIODE		R5214	NRSA63J-181X	MG RESISTOR	180Ω 1/16W J
D5507	MTZJ9.1C-T2	Z DIODE		R5215	NRSA63J-152X	MG RESISTOR	1.5kΩ 1/16W J
D5508	MTZJ9.1C-T2	Z DIODE		R5216	NRSA63J-182X	MG RESISTOR	1.8kΩ 1/16W J
D5509	MTZJ9.1C-T2	Z DIODE		R5217	NRSA63J-222X	MG RESISTOR	2.2kΩ 1/16W J
D5510	MTZJ9.1C-T2	Z DIODE		R5240	NRSA63J-0R0X	MG RESISTOR	0Ω 1/16W J
D5511	MTZJ9.1C-T2	Z DIODE		R5241	NRSA63J-821X	MG RESISTOR	820Ω 1/16W J
D5512	MTZJ9.1C-T2	Z DIODE		R5242	NRSA63J-101X	MG RESISTOR	100Ω 1/16W J
D5513	MTZJ9.1C-T2	Z DIODE		R5243	NRSA63J-101X	MG RESISTOR	100Ω 1/16W J
C5001	QENC1HM-475Z	BP E CAPACITOR	4.7uF 50V M	R5251	NRSA63J-471X	MG RESISTOR	470Ω 1/16W J
C5002	NCB31HK-562X	C CAPACITOR	5600pF 50V K	R5253	NRSA63J-102X	MG RESISTOR	1kΩ 1/16W J
C5003	NCB31HK-123X	C CAPACITOR	0.012uF 50V K				
C5004	QETN1HM-105Z	E CAPACITOR	1uF 50V M				
C5005	QETN1HM-475Z	E CAPACITOR	4.7uF 50V M				
C5006	QETN1HM-106Z	E CAPACITOR	10uF 50V M				
C5007	QETN1HM-475Z	E CAPACITOR	4.7uF 50V M				
C5008	QETN1CM-107Z	E CAPACITOR	100uF 16V M				
C5009	QENC1HM-475Z	BP E CAPACITOR	4.7uF 50V M				
C5010	QETN1HM-475Z	E CAPACITOR	4.7uF 50V M				
C5011	QENC1HM-475Z	BP E CAPACITOR	4.7uF 50V M				
C5012	NCB31HK-272X	C CAPACITOR	2700pF 50V K				
C5013	NCB31HK-473X	C CAPACITOR	0.047uF 50V K				
C5014	QENC1HM-475Z	BP E CAPACITOR	4.7uF 50V M				
C5015	QETN1HM-106Z	E CAPACITOR	10uF 50V M				
C5016	QETN1HM-105Z	E CAPACITOR	1uF 50V M				
C5017	QENC1HM-475Z	BP E CAPACITOR	4.7uF 50V M				
C5018	QENC1HM-475Z	BP E CAPACITOR	4.7uF 50V M				
C5019	NCB31HK-223X	C CAPACITOR	0.022uF 50V K				
C5020	NCB31HK-472X	C CAPACITOR	4700pF 50V K				
C5021	QENC1HM-475Z	BP E CAPACITOR	4.7uF 50V M				
C5022	NCB31EK-104X	C CAPACITOR	0.1uF 25V K				
C5023	NCB31HK-472X	C CAPACITOR	4700pF 50V K				
C5024	QENC1HM-475Z	BP E CAPACITOR	4.7uF 50V M				

△Ref No.	Part No.	Part Name	Description Local
R5254	NRSA63J-102X	MG RESISTOR	1kΩ 1/16W J
R5255	NRSA63J-681X	MG RESISTOR	680Ω 1/16W J
R5258	NRSA63J-101X	MG RESISTOR	100Ω 1/16W J
R5259	NRSA63J-222X	MG RESISTOR	2.2kΩ 1/16W J
R5261	NRSA63J-101X	MG RESISTOR	100Ω 1/16W J
R5262	NRSA63J-222X	MG RESISTOR	2.2kΩ 1/16W J
R5263	NRSA63J-471X	MG RESISTOR	470Ω 1/16W J
R5265	NRSA63J-102X	MG RESISTOR	1kΩ 1/16W J
R5269	NRSA63J-681X	MG RESISTOR	680Ω 1/16W J
R5270	NRSA63J-102X	MG RESISTOR	1kΩ 1/16W J
R5384	NRSA63J-223X	MG RESISTOR	22kΩ 1/16W J
R5385	NRSA63J-223X	MG RESISTOR	22kΩ 1/16W J
R5386	NRSA63J-223X	MG RESISTOR	22kΩ 1/16W J
R5387	NRSA63J-223X	MG RESISTOR	22kΩ 1/16W J
R5391	NRSA63J-221X	MG RESISTOR	220Ω 1/16W J
R5392	NRSA63J-221X	MG RESISTOR	220Ω 1/16W J
R5393	NRSA63J-823X	MG RESISTOR	82kΩ 1/16W J
R5394	NRSA63J-823X	MG RESISTOR	82kΩ 1/16W J
R5395	NRSA63J-221X	MG RESISTOR	220Ω 1/16W J
R5396	NRSA63J-221X	MG RESISTOR	220Ω 1/16W J
R5501	NRSA63J-101X	MG RESISTOR	100Ω 1/16W J
R5502	NRSA63J-101X	MG RESISTOR	100Ω 1/16W J
R5503	NRSA63J-101X	MG RESISTOR	100Ω 1/16W J
R5504	NRSA63J-101X	MG RESISTOR	100Ω 1/16W J
R5505	NRSA63J-101X	MG RESISTOR	100Ω 1/16W J
R5507	NRSA63J-103X	MG RESISTOR	10kΩ 1/16W J
R5508	NRSA63J-153X	MG RESISTOR	15kΩ 1/16W J
R5509	NRSA63J-101X	MG RESISTOR	100Ω 1/16W J
R5510	NRSA63J-101X	MG RESISTOR	100Ω 1/16W J
R5511	NRSA63J-101X	MG RESISTOR	100Ω 1/16W J
R5512	NRSA63J-101X	MG RESISTOR	100Ω 1/16W J
R5513	NRSA63J-153X	MG RESISTOR	15kΩ 1/16W J
R5514	NRSA63J-103X	MG RESISTOR	10kΩ 1/16W J
R5515	NRSA63J-103X	MG RESISTOR	10kΩ 1/16W J
R5516	NRSA63J-103X	MG RESISTOR	10kΩ 1/16W J
R5517	NRSA63J-103X	MG RESISTOR	10kΩ 1/16W J
R5519	NRSA63J-750X	MG RESISTOR	75Ω 1/16W J
R5520	NRSA63J-750X	MG RESISTOR	75Ω 1/16W J
R5521	NRSA63J-750X	MG RESISTOR	75Ω 1/16W J
R5522	NRSA63J-224X	MG RESISTOR	220kΩ 1/16W J
R5523	NRSA63J-224X	MG RESISTOR	220kΩ 1/16W J
R5524	NRSA63J-103X	MG RESISTOR	10kΩ 1/16W J
R5526	NRSA63J-103X	MG RESISTOR	10kΩ 1/16W J
R5532	NRSA63J-224X	MG RESISTOR	220kΩ 1/16W J
R5533	NRSA63J-224X	MG RESISTOR	220kΩ 1/16W J
R5541	NRSA63J-101X	MG RESISTOR	100Ω 1/16W J
R5542	NRSA63J-101X	MG RESISTOR	100Ω 1/16W J
R5543	NRSA63J-101X	MG RESISTOR	100Ω 1/16W J
R5544	NRSA63J-101X	MG RESISTOR	100Ω 1/16W J
R5545	NRSA63J-101X	MG RESISTOR	100Ω 1/16W J
R5546	NRSA63J-103X	MG RESISTOR	10kΩ 1/16W J
R5558	NRSA63J-0R0X	MG RESISTOR	0Ω 1/16W J
R5559	NRSA63J-0R0X	MG RESISTOR	0Ω 1/16W J
R5560	NRSA63J-0R0X	MG RESISTOR	0Ω 1/16W J
R5561	NRSA63J-0R0X	MG RESISTOR	0Ω 1/16W J

L5202	QQL244K-150Z	PEAKING COIL	15uH K
L5211	QQL244K-4R7Z	PEAKING COIL	4.7uH K
L5241	QQL244K-4R7Z	PEAKING COIL	4.7uH K
L5243	QQL244K-4R7Z	PEAKING COIL	4.7uH K
L5244	QQL244K-4R7Z	PEAKING COIL	4.7uH K
L5261	QQL244K-150Z	PEAKING COIL	15uH K

CN5001	QGB1505K1-35	CONNECTOR	B-B (1-35)
J5501	QNZ0454-001	AV JACK	S/V/L/R IN
J5502	QNN0348-001	PIN JACK	V/L/R IN
J5503	QNN0348-001	PIN JACK	AUDIO OUT

### FRONT CONTROL P.W. BOARD ASS'Y (SGJ-6521A-M2)

△Ref No.	Part No.	Part Name	Description Local
C6401	QETN1HM-106Z	E CAPACITOR	10uF 50V M
C6402	QETN1HM-225Z	E CAPACITOR	2.2uF 50V M
C6403	QETN1HM-225Z	E CAPACITOR	2.2uF 50V M
R6401	NRSA63J-750X	MG RESISTOR	75Ω 1/16W J
R6402	NRSA63J-224X	MG RESISTOR	220kΩ 1/16W J
R6403	NRSA63J-224X	MG RESISTOR	220kΩ 1/16W J
R6702	NRSA63J-102X	MG RESISTOR	1kΩ 1/16W J
R6703	NRSA63J-102X	MG RESISTOR	1kΩ 1/16W J
R6704	NRSA63J-152X	MG RESISTOR	1.5kΩ 1/16W J
R6705	NRSA63J-272X	MG RESISTOR	2.7kΩ 1/16W J
R6706	NRSA63J-562X	MG RESISTOR	5.6kΩ 1/16W J

△Ref No.	Part No.	Part Name	Description Local
CN6006	QJB003-054610	SIN ID C-B WIRE	
CN6007	QJB003-064426	SIN ID C-B WIRE	
CN6008	QJB003-050806	SIN ID C-B WIRE	
J6401	QNN0281-003	PIN JACK	V IN
J6402	QNN0281-002	PIN JACK	L IN
J6403	QNN0282-001	PIN JACK	R IN
LC6401	QQR1459-001	EMI F. COIL	
LC6402	QQR1459-001	EMI F. COIL	
LC6403	QQR1459-001	EMI F. COIL	
S6702	QSW0619-003Z	TACT SWITCH	MENU
S6703	QSW0619-003Z	TACT SWITCH	CH-
S6704	QSW0619-003Z	TACT SWITCH	CH+
S6705	QSW0619-003Z	TACT SWITCH	VOL-
S6706	QSW0619-003Z	TACT SWITCH	VOL+

### LED & POWER SW P.W. BOARD ASS'Y (SGJ-7521A-M2)

△Ref No.	Part No.	Part Name	Description Local
IC7701	GP1UM281QK	IR DETECT UNIT	38kHz
Q7702	UN2112-X	DIGI TRANSISTOR	
D7701	LG22440	LED	POWER
C7701	QETN1EM-476Z	E CAPACITOR	47uF 25V M
R7708	NRSA63J-152X	MG RESISTOR	1.5kΩ 1/16W J
R7709	NRSA63J-561X	MG RESISTOR	560Ω 1/16W J
R7710	NRSA63J-101X	MG RESISTOR	100Ω 1/16W J
R7711	NRSA63J-101X	MG RESISTOR	100Ω 1/16W J
S7701	QSW0847-001	TACT SWITCH	POWER

# PRINTED WIRING BOARD PARTS LIST [AV-27F476/s]

## MAIN P.W. BOARD ASS'Y (SGJ-1579A-M2)

△Ref No.	Part No.	Part Name	Description Local	△Ref No.	Part No.	Part Name	Description Local
	IC201	TM8812CSDNG5JB4	IC	D957	1N4002G-T2	SI DIODE	
	IC421	LA78041	IC	D972	MTZJ15C-T2	Z DIODE	
	IC621	TFA9843J/N1	IC	D973	1SS133-T2	SI DIODE	
	IC651	NJM2150AD	IC	C001	NDC31HJ-100X	C CAPACITOR	10pF 50V J
	IC702	ATE08-27F476R	IC	C002	QETN0JM-477Z	E CAPACITOR	470uF 6.3V M
	IC703	S-80840CNY-G-T	IC	C202	QETN1HM-105Z	E CAPACITOR	1uF 50V M
	IC704	AN78L05-T	IC	C203	NCB31HK-152X	C CAPACITOR	1500pF 50V K
	IC852	L7809CP	IC	C211	QENC1CM-106Z	BP E CAPACITOR	10uF 16V M
	IC853	L7805CP	IC	C212	NDC31HJ-100X	C CAPACITOR	10pF 50V J
△IC911	STR-G9626-F3		IC	C221	QETN1HM-106Z	E CAPACITOR	10uF 50V M
△IC921	SE135N		IC	C222	NCF31AZ-105X	C CAPACITOR	1uF 10V Z
	Q003	UN2212-X	DIGI TRANSISTOR	C223	NCB31HK-103X	C CAPACITOR	0.01uF 50V K
	Q211	2SC3928A/QR/-X	TRANSISTOR	C233	NDC31HJ-680X	C CAPACITOR	68pF 50V J
	Q232	2SC3928A/QR/-X	TRANSISTOR	C237	NCB31HK-103X	C CAPACITOR	0.01uF 50V K
	Q233	2SC3928A/QR/-X	TRANSISTOR	C241	NCB31HK-103X	C CAPACITOR	0.01uF 50V K
	Q352	2SC3928A/QR/-X	TRANSISTOR	C242	QETN1HM-225Z	E CAPACITOR	2.2uF 50V M
	Q501	2SC4212/Z1/	TRANSISTOR	C243	QETN0JM-227Z	E CAPACITOR	220uF 6.3V M
△Q511	2SD2645-YD	POW TRANSISTOR	H. OUT	C244	NCB31HK-103X	C CAPACITOR	0.01uF 50V K
△Q531	2SC2785/JH/-T	TRANSISTOR		C281	QFVF1HJ-474Z	MF CAPACITOR	0.47uF 50V J
	Q532	2SA1530A/QR/-X	TRANSISTOR	C282	QETN1CM-107Z	E CAPACITOR	100uF 16V M
	Q541	2SA1530A/QR/-X	TRANSISTOR	C283	NCB31HK-103X	C CAPACITOR	0.01uF 50V K
	Q542	2SA1530A/QR/-X	TRANSISTOR	C284	QETN1HM-225Z	E CAPACITOR	2.2uF 50V M
	Q543	2SD1267A/QP/	POW TRANSISTOR	C285	NCB31HK-103X	C CAPACITOR	0.01uF 50V K
	Q621	2SD601A/QR/-X	TRANSISTOR	C286	QETN1HM-474Z	E CAPACITOR	0.47uF 50V M
	Q622	2SD601A/QR/-X	TRANSISTOR	C287	QETN1CM-107Z	E CAPACITOR	100uF 16V M
	Q623	2SA1530A/QR/-X	TRANSISTOR	C288	NCB31HK-103X	C CAPACITOR	0.01uF 50V K
	Q625	2SD601A/QR/-X	TRANSISTOR	C302	NCB31EK-104X	C CAPACITOR	0.1uF 25V K
	Q701	2SA1530A/QR/-X	TRANSISTOR	C352	QETN1EM-476Z	E CAPACITOR	47uF 25V M
	Q951	2SD1383K/AB/-X	SI TRANSISTOR	C354	NCB31HK-103X	C CAPACITOR	0.01uF 50V K
	Q971	2SA1208/ST/Z1-T	TRANSISTOR	C360	NCB31HK-103X	C CAPACITOR	0.01uF 50V K
	D308	MTZJ5.1B-T2	Z DIODE	C391	QETN1CM-107Z	E CAPACITOR	100uF 16V M
	D309	MTZJ5.1B-T2	Z DIODE	C392	NCB31HK-103X	C CAPACITOR	0.01uF 50V K
	D310	MTZJ4.3A-T2	Z DIODE	C422	QFN32AK-102Z	M CAPACITOR	1000pF 100V K
	D352	MTZJ9.1C-T2	Z DIODE	C424	QETN1VM-107Z	E CAPACITOR	100uF 35V M
	D353	1SS133-T2	SI DIODE	C425	QETN1VM-477Z	E CAPACITOR	470uF 35V M
	D354	MTZJ3.3A-T2	Z DIODE	C427	QETN1HM-225Z	E CAPACITOR	2.2uF 50V M
	D421	GP10DE-5009-T2	SI DIODE	C428	QETM1EM-228	E CAPACITOR	2200uF 25V M
	D422	MTZJ75-T2	Z DIODE	C431	QFLC2AK-563Z	M CAPACITOR	0.056uF 100V K
	D501	RH3G-F1	SI DIODE	C433	QETN1EM-476Z	E CAPACITOR	47uF 25V M
	D502	RU3AM-LFC4	SI DIODE	C435	NCB31HK-183X	C CAPACITOR	0.018uF 50V K
	D521	RH1S-T3	SI DIODE	C440	QCS32HJ-100Z	C CAPACITOR	10pF 500V J
	D523	RGP10J-04TS-T3	SI DIODE	C501	QCB32HK-151Z	C CAPACITOR	150pF 500V K
	D525	1SS81-T5	SI DIODE	C502	QCB32HK-331Z	C CAPACITOR	330pF 500V K
	D526	1SS81-T5	SI DIODE	C503	QEHR2CM-105Z	E CAPACITOR	1uF 160V M
	D527	1SR124-400A-T2	SI DIODE	C504	QEZ0203-107	E CAPACITOR	100uF 160V M
	D529	MTZJ9.1C-T2	Z DIODE	C507	QEM61HK-475Z	E CAPACITOR	4.7uF 50V K
△D531	MA4068N/Z1/-T2	Z DIODE		C508	QEM61HK-475Z	E CAPACITOR	4.7uF 50V K
	D535	1SS133-T2	SI DIODE	△C510	QFZ0200-482	MPP CAPACITOR	4800pF 1.5kV H
	D601	MTZJ9.1C-T2	Z DIODE	△C513	QFZ0196-113	MPP CAPACITOR	0.011uF 1.5kV H
	D602	MTZJ9.1C-T2	Z DIODE	C514	QFP32GJ-183	PP CAPACITOR	0.018uF 400V J
	D603	MTZJ9.1C-T2	Z DIODE	C515	QFZ0197-404	MPP CAPACITOR	0.4uF 250V J
	D621	1SS133-T2	SI DIODE	C516	QCB32HK-561Z	C CAPACITOR	560pF 500V K
	D623	1SS133-T2	SI DIODE	C521	QETN2EM-106Z	E CAPACITOR	10uF 250V M
	D626	1SS133-T2	SI DIODE	C523	QEHR1VM-477Z	E CAPACITOR	470uF 35V M
	D705	1SS133-T2	SI DIODE	C525	QETN1VM-107Z	E CAPACITOR	100uF 35V M
	D706	MTZJ5.6B-T2	Z DIODE	C526	QFV21HJ-824Z	MF CAPACITOR	0.82uF 50V J
	D707	MTZJ5.6B-T2	Z DIODE	C527	QFLC2AJ-103Z	M CAPACITOR	0.01uF 100V J
	D708	MTZJ5.6B-T2	Z DIODE	C531	QCB32HK-471Z	C CAPACITOR	470pF 500V K
	D709	MTZJ5.6B-T2	Z DIODE	C533	QETN1HM-106Z	E CAPACITOR	10uF 50V M
△D901	GSIB460	BRIDGE DIODE		C601	NCB31CK-224X	C CAPACITOR	0.22uF 16V K
	D910	MA700A-T2	SB DIODE	C602	NCB31CK-104X	C CAPACITOR	0.1uF 16V K
	D911	RGP10J-04TS-T3	SI DIODE	C603	NCB31CK-104X	C CAPACITOR	0.1uF 16V K
	D912	RGP10J-04TS-T3	SI DIODE	C604	QETN1HM-106Z	E CAPACITOR	10uF 50V M
	D913	1SS133-T2	SI DIODE	C621	QETN1HM-106Z	E CAPACITOR	10uF 50V M
	D914	1SS133-T2	SI DIODE	C622	QETN1HM-106Z	E CAPACITOR	10uF 50V M
	D915	SARS01-T2	SI DIODE	C624	QETN1HM-475Z	E CAPACITOR	4.7uF 50V M
	D917	MTZJ30A-T2	Z DIODE	C626	QETN1HM-475Z	E CAPACITOR	4.7uF 50V M
	D918	MTZJ5.1C-T2	Z DIODE	C627	NCF21CZ-105X	C CAPACITOR	1uF 16V Z
	D920	1SS133-T2	SI DIODE	C628	QETN1HM-226Z	E CAPACITOR	22uF 50V M
	D931	RU4AM-LFT2	SI DIODE	C629	NCF21CZ-105X	C CAPACITOR	1uF 16V Z
	D933	RU3YX-LFC4	SI DIODE	C630	QETN1EM-227Z	E CAPACITOR	220uF 25V M
	D935	RU3YX-LFC4	SI DIODE	C632	QETN1EM-477Z	E CAPACITOR	470uF 25V M
	D937	RU3YX-LFC4	SI DIODE	C633	QETN1EM-227Z	E CAPACITOR	220uF 25V M
	D941	MTZJ33A-T2	Z DIODE	C634	QETN1HM-106Z	E CAPACITOR	10uF 50V M
	D945	MTZJ9.1B-T2	Z DIODE	C635	QETN1HM-105Z	E CAPACITOR	1uF 50V M
	D952	1SS133-T2	SI DIODE	C637	QETN1EM-108Z	E CAPACITOR	1000uF 25V M
	D953	1SS133-T2	SI DIODE	C638	QETN1EM-108Z	E CAPACITOR	1000uF 25V M
	D954	1N4002G-T2	SI DIODE	C651	NCF31AZ-105X	C CAPACITOR	1uF 10V Z
	D955	1N4002G-T2	SI DIODE	C652	NCF31AZ-105X	C CAPACITOR	1uF 10V Z
	D956	1N4002G-T2	SI DIODE	C655	NCB31HK-332X	C CAPACITOR	3300pF 50V K
				C656	NCB31HK-332X	C CAPACITOR	3300pF 50V K
				C657	NCB31HK-333X	C CAPACITOR	0.033uF 50V K
				C658	NCB31HK-333X	C CAPACITOR	0.033uF 50V K

△Ref No.	Part No.	Part Name	Description Local	△Ref No.	Part No.	Part Name	Description Local
C659	QETN1HM-106Z	E CAPACITOR	10uF 50V M	R305	NRSA63J-101X	MG RESISTOR	100Ω 1/16W J
C660	QETN1EM-476Z	E CAPACITOR	47uF 25V M	R306	NRSA63J-101X	MG RESISTOR	100Ω 1/16W J
C661	NCB31HK-103X	C CAPACITOR	0.01uF 50V K	R318	NRSA63J-472X	MG RESISTOR	4.7kΩ 1/16W J
C662	QETN1HM-106Z	E CAPACITOR	10uF 50V M	R319	NRSA63J-102X	MG RESISTOR	1kΩ 1/16W J
C700	NCB31HK-102X	C CAPACITOR	1000pF 50V K	R354	NRSA63J-0R0X	MG RESISTOR	0Ω 1/16W J
C701	QETN1HM-106Z	E CAPACITOR	10uF 50V M	R355	NRSA63J-0R0X	MG RESISTOR	0Ω 1/16W J
C702	QETN1HM-106Z	E CAPACITOR	10uF 50V M	R356	NRSA63J-123X	MG RESISTOR	12kΩ 1/16W J
C703	QETN1HM-106Z	E CAPACITOR	10uF 50V M	R359	NRSA63J-103X	MG RESISTOR	10kΩ 1/16W J
C704	QETN1CM-107Z	E CAPACITOR	100uF 16V M	R421	NRSA63J-822X	MG RESISTOR	8.2kΩ 1/16W J
C705	NCB31HK-103X	C CAPACITOR	0.01uF 50V K	R423	NRSA63J-393X	MG RESISTOR	39kΩ 1/16W J
C708	NDC31HJ-220X	C CAPACITOR	22pF 50V J	R424	NRSA63J-393X	MG RESISTOR	39kΩ 1/16W J
C709	NDC31HJ-220X	C CAPACITOR	22pF 50V J	R426	NRSA63J-183X	MG RESISTOR	18kΩ 1/16W J
C711	QETN1CM-107Z	E CAPACITOR	100uF 16V M	R427	QRT029J-1R5	MF RESISTOR	1.5Ω 2W J
C712	NCB31HK-103X	C CAPACITOR	0.01uF 50V K	R429	NRSA63J-272X	MG RESISTOR	2.7kΩ 1/16W J
C728	NCB31HK-103X	C CAPACITOR	0.01uF 50V K	R431	NRSA63J-152X	MG RESISTOR	1.5kΩ 1/16W J
C807	QETN1AM-477Z	E CAPACITOR	470uF 10V M	R432	NRSA63J-101X	MG RESISTOR	100Ω 1/16W J
C815	NCB31HK-103X	C CAPACITOR	0.01uF 50V K	R433	NRSA63J-681X	MG RESISTOR	680Ω 1/16W J
C853	QETN1EM-227Z	E CAPACITOR	220uF 25V M	R434	QRL029J-181	OMF RESISTOR	180Ω 2W J
C854	QETN1CM-227Z	E CAPACITOR	220uF 16V M	R435	QRE121J-102Y	C RESISTOR	1kΩ 1/2W J
C856	QETN1CM-227Z	E CAPACITOR	220uF 16V M	R441	NRSA63J-0R0X	MG RESISTOR	0Ω 1/16W J
C857	QETN0JM-477Z	E CAPACITOR	470uF 6.3V M	R501	NRSA63J-0R0X	MG RESISTOR	0Ω 1/16W J
△C901	QFZ9072-104	MM CAPACITOR	0.1uF AC250V K	R502	NRSA63J-221X	MG RESISTOR	220Ω 1/16W J
△C902	QFZ9072-473	MM CAPACITOR	0.047uF AC250V K	R503	QRE121J-103Y	C RESISTOR	10kΩ 1/2W J
△C903	QFZ9072-104	MM CAPACITOR	0.1uF AC250V K	R504	QRL039J-222	OMF RESISTOR	2.2kΩ 3W J
△C905	QCZ9054-102	C CAPACITOR	1000pF AC250V Z	R505	QRL039J-182	OMF RESISTOR	1.8kΩ 3W J
C907	QEZO644-567	E CAPACITOR	560uF 200V K	R511	QRE121J-220Y	C RESISTOR	22Ω 1/2W J
△C908	QCZ9054-102	C CAPACITOR	1000pF AC250V Z	R512	QRE121J-681Y	C RESISTOR	680Ω 1/2W J
C912	QCZ0340-222	C CAPACITOR	2200pF 2kV K	R516	QRZ0221-2R0	OMF RESISTOR	2Ω 7W K
C913	QFLC1HJ-471Z	M CAPACITOR	470pF 50V J	R524	NRSA63J-563X	MG RESISTOR	56kΩ 1/16W J
C914	QETN1HM-107Z	E CAPACITOR	100uF 50V M	R526	QRE121J-272Y	C RESISTOR	2.7kΩ 1/2W J
C916	NDC31HJ-331X	C CAPACITOR	330pF 50V J	R527	QRE121J-154Y	C RESISTOR	150kΩ 1/2W J
C917	NCB31HK-182X	C CAPACITOR	1800pF 50V K	R528	QRE121J-154Y	C RESISTOR	150kΩ 1/2W J
C918	NCB31HK-104X	C CAPACITOR	0.1uF 50V K	R529	NRSA63J-331X	MG RESISTOR	330Ω 1/16W J
C919	QFP32GJ-103	PP CAPACITOR	0.01uF 400V J	△R531	QRZ0230-391X	UNF C RESISTOR	390Ω 1/4W J
C931	QEZO203-227	E CAPACITOR	220uF 160V M	R532	NRSA63J-273X	MG RESISTOR	27kΩ 1/16W J
C932	QETN1EM-108Z	E CAPACITOR	1000uF 25V M	R533	NRSA63J-123X	MG RESISTOR	12kΩ 1/16W J
C933	QETN1EM-108Z	E CAPACITOR	1000uF 25V M	R534	NRSA63J-123X	MG RESISTOR	12kΩ 1/16W J
C934	NDC31HJ-221X	C CAPACITOR	220pF 50V J	△R535	NRVA02D-272X	CMF RESISTOR	2.7kΩ 1/10W D
C935	QETN1VM-108Z	E CAPACITOR	1000uF 35V M	R536	QRE121J-470Y	C RESISTOR	47Ω 1/2W J
C937	QCZ0340-102	C CAPACITOR	1000pF 2kV K	△R537	NRVA02D-752X	CMF RESISTOR	7.5kΩ 1/10W D
C938	QETN1EM-477Z	E CAPACITOR	470uF 25V M	R538	NRSA63J-333X	MG RESISTOR	33kΩ 1/16W J
C939	QCB32HK-152Z	C CAPACITOR	1500pF 500V K	R543	QRE121J-122Y	C RESISTOR	1.2kΩ 1/2W J
C941	QCB32HK-102Z	C CAPACITOR	1000pF 500V K	R544	QRE121J-392Y	C RESISTOR	3.9kΩ 1/2W J
C942	QEHR1HM-105Z	E CAPACITOR	1uF 50V M	R545	QRE121J-822Y	C RESISTOR	8.2kΩ 1/2W J
C943	QETN1CM-108Z	E CAPACITOR	1000uF 16V M	R546	NRSA63J-331X	MG RESISTOR	330Ω 1/16W J
C951	QETN1EM-477Z	E CAPACITOR	470uF 25V M	R547	NRSA63J-104X	MG RESISTOR	100kΩ 1/16W J
C952	QETN1CM-227Z	E CAPACITOR	220uF 16V M	R548	QRE121J-152Y	C RESISTOR	1.5kΩ 1/2W J
C971	QETN1CM-107Z	E CAPACITOR	100uF 16V M	R553	QRL039J-390	OMF RESISTOR	39Ω 3W J
C972	QETN1EM-476Z	E CAPACITOR	47uF 25V M	△R554	QRL126J-150X	UNF C RESISTOR	15Ω 1/2W J
△C997	QCZ9079-102	C CAPACITOR	1000pF AC250V M	R555	QRT029J-3R3	MF RESISTOR	3.3Ω 2W J
△C998	QCZ9074-103	C CAPACITOR	0.01uF AC250V M	R601	NRSA63J-750X	MG RESISTOR	75Ω 1/16W J
△C999	QCZ9074-103	C CAPACITOR	0.01uF AC250V M	R602	NRSA63J-750X	MG RESISTOR	75Ω 1/16W J
R001	NRSA63J-101X	MG RESISTOR	100Ω 1/16W J	R603	NRSA63J-750X	MG RESISTOR	75Ω 1/16W J
R002	NRSA63J-101X	MG RESISTOR	100Ω 1/16W J	R621	NRSA63J-123X	MG RESISTOR	12kΩ 1/16W J
R003	NRSA63J-101X	MG RESISTOR	100Ω 1/16W J	R623	NRSA63J-102X	MG RESISTOR	1kΩ 1/16W J
R004	NRSA63J-0R0X	MG RESISTOR	0Ω 1/16W J	R624	NRSA63J-123X	MG RESISTOR	12kΩ 1/16W J
R008	NRSA63J-101X	MG RESISTOR	100Ω 1/16W J	R626	NRSA63J-102X	MG RESISTOR	1kΩ 1/16W J
R010	NRSA63J-101X	MG RESISTOR	100Ω 1/16W J	R627	NRSA63J-102X	MG RESISTOR	1kΩ 1/16W J
R201	NRSA63J-223X	MG RESISTOR	22kΩ 1/16W J	R628	NRSA63J-103X	MG RESISTOR	10kΩ 1/16W J
R212	NRSA63J-272X	MG RESISTOR	2.7kΩ 1/16W J	R630	NRSA63J-472X	MG RESISTOR	4.7kΩ 1/16W J
R215	NRSA63J-562X	MG RESISTOR	5.6kΩ 1/16W J	R631	NRSA63J-103X	MG RESISTOR	10kΩ 1/16W J
R216	NRSA63J-562X	MG RESISTOR	5.6kΩ 1/16W J	R649	NRSA63J-104X	MG RESISTOR	100kΩ 1/16W J
R217	NRSA63J-102X	MG RESISTOR	1kΩ 1/16W J	R651	NRSA63J-223X	MG RESISTOR	22kΩ 1/16W J
R227	NRSA63J-104X	MG RESISTOR	100kΩ 1/16W J	R652	NRSA63J-223X	MG RESISTOR	22kΩ 1/16W J
R231	NRSA63J-182X	MG RESISTOR	1.8kΩ 1/16W J	R653	NRSA63J-223X	MG RESISTOR	22kΩ 1/16W J
R237	NRSA63J-392X	MG RESISTOR	3.9kΩ 1/16W J	R654	NRSA63J-223X	MG RESISTOR	22kΩ 1/16W J
R238	NRSA63J-473X	MG RESISTOR	47kΩ 1/16W J	R655	NRSA63J-0R0X	MG RESISTOR	0Ω 1/16W J
R241	NRSA63J-332X	MG RESISTOR	3.3kΩ 1/16W J	R657	NRSA63J-0R0X	MG RESISTOR	0Ω 1/16W J
R243	NRSA63J-152X	MG RESISTOR	1.5kΩ 1/16W J	R659	NRSA63J-103X	MG RESISTOR	10kΩ 1/16W J
R281	NRSA63J-182X	MG RESISTOR	1.8kΩ 1/16W J	R700	NRSA63J-102X	MG RESISTOR	1kΩ 1/16W J
R282	NRSA63J-392X	MG RESISTOR	3.9kΩ 1/16W J	R701	NRSA63J-103X	MG RESISTOR	10kΩ 1/16W J
R283	NRSA63J-681X	MG RESISTOR	680Ω 1/16W J	R702	NRSA63J-102X	MG RESISTOR	1kΩ 1/16W J
R286	NRSA63J-472X	MG RESISTOR	4.7kΩ 1/16W J	R704	NRSA63J-472X	MG RESISTOR	4.7kΩ 1/16W J
R287	NRSA63J-101X	MG RESISTOR	100Ω 1/16W J	R705	NRSA63J-472X	MG RESISTOR	4.7kΩ 1/16W J
R288	NRSA02J-471X	MG RESISTOR	470Ω 1/10W J	R706	NRSA63J-472X	MG RESISTOR	4.7kΩ 1/16W J
R289	NRSA63J-154X	MG RESISTOR	150kΩ 1/16W J	R707	NRSA63J-103X	MG RESISTOR	10kΩ 1/16W J
R290	NRSA02J-561X	MG RESISTOR	560Ω 1/10W J	R708	NRSA63J-101X	MG RESISTOR	100Ω 1/16W J
R292	NRSA63J-124X	MG RESISTOR	120kΩ 1/16W J	R709	NRSA63J-101X	MG RESISTOR	100Ω 1/16W J
R293	NRSA63J-224X	MG RESISTOR	220kΩ 1/16W J	R718	NRSA63J-101X	MG RESISTOR	100Ω 1/16W J
R296	NRSA63J-101X	MG RESISTOR	100Ω 1/16W J	R721	NRSA63J-102X	MG RESISTOR	1kΩ 1/16W J
R297	NRSA63J-101X	MG RESISTOR	100Ω 1/16W J	R729	NRSA63J-223X	MG RESISTOR	22kΩ 1/16W J
R298	NRSA63J-101X	MG RESISTOR	100Ω 1/16W J	R731	NRSA63J-101X	MG RESISTOR	100Ω 1/16W J
R301	NRSA63J-222X	MG RESISTOR	2.2kΩ 1/16W J	R732	NRSA63J-101X	MG RESISTOR	100Ω 1/16W J
R302	NRSA63J-222X	MG RESISTOR	2.2kΩ 1/16W J	R733	NRSA63J-472X	MG RESISTOR	4.7kΩ 1/16W J
R303	NRSA63J-222X	MG RESISTOR	2.2kΩ 1/16W J	R734	NRSA63J-472X	MG RESISTOR	4.7kΩ 1/16W J
R304	NRSA63J-101X	MG RESISTOR	100Ω 1/16W J	R739	NRSA63J-272X	MG RESISTOR	2.7kΩ 1/16W J
				R740	NRSA63J-103X	MG RESISTOR	10kΩ 1/16W J

△Ref No.	Part No.	Part Name	Description Local	△Ref No.	Part No.	Part Name	Description Local
R764	NRSA63J-221X	MG RESISTOR	220Ω 1/16W J	△TH901	QAD0132-3R0	P THERMISTOR	3Ω
R765	NRSA63J-221X	MG RESISTOR	220Ω 1/16W J	△TU001	QAU0352-002	TUNER	
R766	NRSA63J-221X	MG RESISTOR	220Ω 1/16W J	△VA901	ERZV10V621CS	ZNR	
R767	NRSA63J-221X	MG RESISTOR	220Ω 1/16W J	X701	QAX0767-001Z	CRYSTAL	8MHz
R769	NRSA63J-682X	MG RESISTOR	6.8kΩ 1/16W J	<b>CRT SOCKET P.W. BOARD ASS'Y (SGJ-3523A-M2)</b>			
R772	NRSA63J-103X	MG RESISTOR	10kΩ 1/16W J	REFER TO PARTS LIST IN PAGE 3-8 FOR THIS P.W. BOARD.			
R811	NRSA63J-101X	MG RESISTOR	100Ω 1/16W J	<b>AV SELECTOR P.W. BOARD ASS'Y (SGJ-5521A-M2)</b>			
R816	NRSA63J-101X	MG RESISTOR	100Ω 1/16W J	REFER TO PARTS LIST IN PAGE 3-9 FOR THIS P.W. BOARD.			
R827	NRSA63J-102X	MG RESISTOR	1kΩ 1/16W J	<b>FRONT CONTROL P.W. BOARD ASS'Y (SGJ-6521A-M2)</b>			
R839	NRSA63J-225X	MG RESISTOR	2.2MΩ 1/16W J	REFER TO PARTS LIST IN PAGE 3-10 FOR THIS P.W. BOARD.			
R855	QRL029J-820	OMF RESISTOR	82Ω 2W J	<b>LED &amp; POWER SW P.W. BOARD ASS'Y (SGJ-7521A-M2)</b>			
R857	QRL029J-820	OMF RESISTOR	82Ω 2W J	REFER TO PARTS LIST IN PAGE 3-10 FOR THIS P.W. BOARD.			
R901	QRF074K-1R2	UNF WW RESISTOR	1.2Ω 7W K	<b>REFLECTOR P.W. BOARD ASS'Y (SGJ-8521A-M2)</b>			
R909	QRG01GJ-470	OMF RESISTOR	47Ω 1W J	REFER TO PARTS LIST IN PAGE 3-10 FOR THIS P.W. BOARD.			
R911	QRE121J-223Y	C RESISTOR	22kΩ 1/2W J	<b>REAR CONTROL P.W. BOARD ASS'Y (SGJ-9521A-M2)</b>			
R912	QRT029J-R18	MF RESISTOR	0.18Ω 2W J	REFER TO PARTS LIST IN PAGE 3-10 FOR THIS P.W. BOARD.			
R913	QRT029J-R15	MF RESISTOR	0.15Ω 2W J	<b>REAR CONTROL P.W. BOARD ASS'Y (SGJ-9521A-M2)</b>			
△R914	QRK126J-681X	UNF C RESISTOR	680Ω 1/2W J	REFER TO PARTS LIST IN PAGE 3-10 FOR THIS P.W. BOARD.			
△R915	QRK129J-6R8	UNF C RESISTOR	6.8Ω 1/2W J	<b>REAR CONTROL P.W. BOARD ASS'Y (SGJ-9521A-M2)</b>			
△R917	QRK126J-332X	UNF C RESISTOR	3.3kΩ 1/2W J	REFER TO PARTS LIST IN PAGE 3-10 FOR THIS P.W. BOARD.			
R918	QRE121J-222Y	C RESISTOR	2.2kΩ 1/2W J	<b>REAR CONTROL P.W. BOARD ASS'Y (SGJ-9521A-M2)</b>			
R919	QRE121J-684Y	C RESISTOR	680kΩ 1/2W J	REFER TO PARTS LIST IN PAGE 3-10 FOR THIS P.W. BOARD.			
R924	QRE121J-222Y	C RESISTOR	2.2kΩ 1/2W J	<b>REAR CONTROL P.W. BOARD ASS'Y (SGJ-9521A-M2)</b>			
R930	QRE121J-223Y	C RESISTOR	22kΩ 1/2W J	REFER TO PARTS LIST IN PAGE 3-10 FOR THIS P.W. BOARD.			
R933	QRX01GJ-1R0	MF RESISTOR	1Ω 1W J	<b>REAR CONTROL P.W. BOARD ASS'Y (SGJ-9521A-M2)</b>			
R940	QRE121J-181Y	C RESISTOR	180Ω 1/2W J	REFER TO PARTS LIST IN PAGE 3-10 FOR THIS P.W. BOARD.			
R941	QRL029J-183	OMF RESISTOR	18kΩ 2W J	<b>REAR CONTROL P.W. BOARD ASS'Y (SGJ-9521A-M2)</b>			
R950	NRSA63J-0R0X	MG RESISTOR	0Ω 1/16W J	REFER TO PARTS LIST IN PAGE 3-10 FOR THIS P.W. BOARD.			
R951	NRSA63J-473X	MG RESISTOR	47kΩ 1/16W J	<b>REAR CONTROL P.W. BOARD ASS'Y (SGJ-9521A-M2)</b>			
R952	NRSA63J-102X	MG RESISTOR	1kΩ 1/16W J	REFER TO PARTS LIST IN PAGE 3-10 FOR THIS P.W. BOARD.			
R953	QRE121J-820Y	C RESISTOR	82Ω 1/2W J	<b>REAR CONTROL P.W. BOARD ASS'Y (SGJ-9521A-M2)</b>			
R972	NRVA02D-122X	CMF RESISTOR	1.2kΩ 1/10W D	REFER TO PARTS LIST IN PAGE 3-10 FOR THIS P.W. BOARD.			
R973	NRVA02D-332X	CMF RESISTOR	3.3kΩ 1/10W D	<b>REAR CONTROL P.W. BOARD ASS'Y (SGJ-9521A-M2)</b>			
R975	QRE121J-223Y	C RESISTOR	22kΩ 1/2W J	REFER TO PARTS LIST IN PAGE 3-10 FOR THIS P.W. BOARD.			
R977	QRE121J-473Y	C RESISTOR	47kΩ 1/2W J	<b>REAR CONTROL P.W. BOARD ASS'Y (SGJ-9521A-M2)</b>			
R978	NRSA63J-333X	MG RESISTOR	33kΩ 1/16W J	REFER TO PARTS LIST IN PAGE 3-10 FOR THIS P.W. BOARD.			
△R998	QRZ9041-275	C RESISTOR	2.7MΩ 1/2W K	<b>REAR CONTROL P.W. BOARD ASS'Y (SGJ-9521A-M2)</b>			
R999	QRE121J-121Y	C RESISTOR	120Ω 1/2W J	REFER TO PARTS LIST IN PAGE 3-10 FOR THIS P.W. BOARD.			
L001	QQL244K-220Z	PEAKING COIL	22uH K	<b>REAR CONTROL P.W. BOARD ASS'Y (SGJ-9521A-M2)</b>			
L232	QQL244K-560Z	PEAKING COIL	56uH K	REFER TO PARTS LIST IN PAGE 3-10 FOR THIS P.W. BOARD.			
L241	QQL244K-220Z	PEAKING COIL	22uH K	<b>REAR CONTROL P.W. BOARD ASS'Y (SGJ-9521A-M2)</b>			
L391	QQL244K-220Z	PEAKING COIL	22uH K	REFER TO PARTS LIST IN PAGE 3-10 FOR THIS P.W. BOARD.			
L511	QQR1165-001	LINEARITY COIL		<b>REAR CONTROL P.W. BOARD ASS'Y (SGJ-9521A-M2)</b>			
L512	QQLZ036-821	COIL	820uH K	REFER TO PARTS LIST IN PAGE 3-10 FOR THIS P.W. BOARD.			
L521	QQLZ026-760	COIL	76uH ±7%	<b>REAR CONTROL P.W. BOARD ASS'Y (SGJ-9521A-M2)</b>			
L701	QQL244K-220Z	PEAKING COIL	22uH K	REFER TO PARTS LIST IN PAGE 3-10 FOR THIS P.W. BOARD.			
L702	QQL244K-220Z	PEAKING COIL	22uH K	<b>REAR CONTROL P.W. BOARD ASS'Y (SGJ-9521A-M2)</b>			
L703	QQL244K-220Z	PEAKING COIL	22uH K	REFER TO PARTS LIST IN PAGE 3-10 FOR THIS P.W. BOARD.			
L704	QQL244K-220Z	PEAKING COIL	22uH K	<b>REAR CONTROL P.W. BOARD ASS'Y (SGJ-9521A-M2)</b>			
L705	QQL244K-220Z	PEAKING COIL	22uH K	REFER TO PARTS LIST IN PAGE 3-10 FOR THIS P.W. BOARD.			
L931	QQL26AK-470Z	CHOKO COIL	47uH K	<b>REAR CONTROL P.W. BOARD ASS'Y (SGJ-9521A-M2)</b>			
L933	QQL26AK-470Z	CHOKO COIL	47uH K	REFER TO PARTS LIST IN PAGE 3-10 FOR THIS P.W. BOARD.			
L937	QQL26AK-470Z	CHOKO COIL	47uH K	<b>REAR CONTROL P.W. BOARD ASS'Y (SGJ-9521A-M2)</b>			
L940	QQR0582-001Z	FERRITE BEADS		REFER TO PARTS LIST IN PAGE 3-10 FOR THIS P.W. BOARD.			
T501	QQR1414-001	DRIVE TRANSF		<b>REAR CONTROL P.W. BOARD ASS'Y (SGJ-9521A-M2)</b>			
△T921	QQS0152-001	SW TRANSF		REFER TO PARTS LIST IN PAGE 3-10 FOR THIS P.W. BOARD.			
△T951	QQT0355-001	POWER TRANSF		<b>REAR CONTROL P.W. BOARD ASS'Y (SGJ-9521A-M2)</b>			
CN001	QGB1505J1-35	CONNECTOR	B-B (1-35)	REFER TO PARTS LIST IN PAGE 3-10 FOR THIS P.W. BOARD.			
CN0E1	CE41507-001P	LV CONNECTOR		<b>REAR CONTROL P.W. BOARD ASS'Y (SGJ-9521A-M2)</b>			
CN0E3	CE41507-001P	LV CONNECTOR		REFER TO PARTS LIST IN PAGE 3-10 FOR THIS P.W. BOARD.			
CN0HV	QGZ5004C1-06	CONNECTOR	(1-6)	<b>REAR CONTROL P.W. BOARD ASS'Y (SGJ-9521A-M2)</b>			
△CN0PW	QMPD390-200-JS	POWER CORD(US/CA)	2m BLACK	REFER TO PARTS LIST IN PAGE 3-10 FOR THIS P.W. BOARD.			
△CP936	ICP-N70-T	IC PROTECTOR	2.5A	<b>REAR CONTROL P.W. BOARD ASS'Y (SGJ-9521A-M2)</b>			
△F901	QMF51N1-5R0-J5	FUSE	5A AC125V	REFER TO PARTS LIST IN PAGE 3-10 FOR THIS P.W. BOARD.			
△FR525	QRZ9017-4R7	FUSI RESISTOR	4.7Ω 1/4W J	<b>REAR CONTROL P.W. BOARD ASS'Y (SGJ-9521A-M2)</b>			
J601	QNN0349-002	PIN JACK	COMPONENT IN	REFER TO PARTS LIST IN PAGE 3-10 FOR THIS P.W. BOARD.			
K401	QQR0621-002Z	FERRITE BEADS		<b>REAR CONTROL P.W. BOARD ASS'Y (SGJ-9521A-M2)</b>			
K912	QQR0582-001Z	FERRITE BEADS		REFER TO PARTS LIST IN PAGE 3-10 FOR THIS P.W. BOARD.			
K916	QQR0582-001Z	FERRITE BEADS		<b>REAR CONTROL P.W. BOARD ASS'Y (SGJ-9521A-M2)</b>			
K917	QQR0582-001Z	FERRITE BEADS		REFER TO PARTS LIST IN PAGE 3-10 FOR THIS P.W. BOARD.			
K918	QQR0582-001Z	FERRITE BEADS		<b>REAR CONTROL P.W. BOARD ASS'Y (SGJ-9521A-M2)</b>			
K920	QQR1139-001	FERRITE BEADS		REFER TO PARTS LIST IN PAGE 3-10 FOR THIS P.W. BOARD.			
K931	QQR0582-001Z	FERRITE BEADS		<b>REAR CONTROL P.W. BOARD ASS'Y (SGJ-9521A-M2)</b>			
K932	QQR0582-001Z	FERRITE BEADS		REFER TO PARTS LIST IN PAGE 3-10 FOR THIS P.W. BOARD.			
K933	QQR0582-001Z	FERRITE BEADS		<b>REAR CONTROL P.W. BOARD ASS'Y (SGJ-9521A-M2)</b>			
K935	QQR0582-001Z	FERRITE BEADS		REFER TO PARTS LIST IN PAGE 3-10 FOR THIS P.W. BOARD.			
K937	QQR0582-001Z	FERRITE BEADS		<b>REAR CONTROL P.W. BOARD ASS'Y (SGJ-9521A-M2)</b>			
LC601	QQR1653-001	C MODE CHOKE CO		REFER TO PARTS LIST IN PAGE 3-10 FOR THIS P.W. BOARD.			
LC602	QQR1653-001	C MODE CHOKE CO		<b>REAR CONTROL P.W. BOARD ASS'Y (SGJ-9521A-M2)</b>			
LC603	QQR1653-001	C MODE CHOKE CO		REFER TO PARTS LIST IN PAGE 3-10 FOR THIS P.W. BOARD.			
△LF901	QQR0527-003	LINE FILTER		<b>REAR CONTROL P.W. BOARD ASS'Y (SGJ-9521A-M2)</b>			
△LF902	QQR0527-003	LINE FILTER		REFER TO PARTS LIST IN PAGE 3-10 FOR THIS P.W. BOARD.			
△PC921	PC-123Y22	PHOTO COUPLER		<b>REAR CONTROL P.W. BOARD ASS'Y (SGJ-9521A-M2)</b>			
△RY951	QSK0085-001	RELAY		REFER TO PARTS LIST IN PAGE 3-10 FOR THIS P.W. BOARD.			
S421	QSL4A13-C02	LEVER SWITCH	V.CENTER	<b>REAR CONTROL P.W. BOARD ASS'Y (SGJ-9521A-M2)</b>			

# PRINTED WIRING BOARD PARTS LIST [AV-32F476M]

## MAIN P.W. BOARD ASS'Y (SGJ-1572A-M2)

△Ref No.	Part No.	Part Name	Description Local	△Ref No.	Part No.	Part Name	Description Local
IC201	TM8812CSDNG5JB4	IC		D957	1N4002G-T2	SI DIODE	
IC421	LA78041	IC		D972	MTZJ15C-T2	Z DIODE	
IC621	TFA9843J/N1	IC		D973	1SS133-T2	SI DIODE	
IC651	NJM2150AD	IC		C001	NDC31HJ-100X	C CAPACITOR	10pF 50V J
IC702	ATE08-27F476R	IC	(SERVICE)	C002	QETN0JM-477Z	E CAPACITOR	470uF 6.3V M
IC703	S-80840CNY-G-T	IC		C202	QETN1HM-105Z	E CAPACITOR	1uF 50V M
IC704	AN78L05-T	IC		C203	NCB31HK-152X	C CAPACITOR	1500pF 50V K
IC852	L7809CP	IC		C211	QENC1CM-106Z	BP E CAPACITOR	10uF 16V M
IC853	L7805CP	IC		C212	NDC31HJ-100X	C CAPACITOR	10pF 50V J
△IC911	STR-G9626-F3	IC		C221	QETN1HM-106Z	E CAPACITOR	10uF 50V M
△IC921	SE135N	IC		C222	NCF31AZ-105X	C CAPACITOR	1uF 10V Z
Q003	UN2212-X	DIGI TRANSISTOR		C223	NCB31HK-103X	C CAPACITOR	0.01uF 50V K
Q211	2SC3928A/QR/-X	TRANSISTOR		C233	NDC31HJ-680X	C CAPACITOR	68pF 50V J
Q232	2SC3928A/QR/-X	TRANSISTOR		C237	NCB31HK-103X	C CAPACITOR	0.01uF 50V K
Q233	2SC3928A/QR/-X	TRANSISTOR		C241	NCB31HK-103X	C CAPACITOR	0.01uF 50V K
Q352	2SC3928A/QR/-X	TRANSISTOR		C242	QETN1HM-225Z	E CAPACITOR	2.2uF 50V M
Q501	2SC4212/Z1/	TRANSISTOR		C243	QETN0JM-227Z	E CAPACITOR	220uF 6.3V M
△Q511	2SD2645-YD	POW TRANSISTOR	H. OUT	C244	NCB31HK-103X	C CAPACITOR	0.01uF 50V K
△Q531	2SC2785/JH/-T	TRANSISTOR		C281	QFVF1HJ-474Z	MF CAPACITOR	0.47uF 50V J
Q532	2SA1530A/QR/-X	TRANSISTOR		C282	QETN1CM-107Z	E CAPACITOR	100uF 16V M
Q541	2SA1530A/QR/-X	TRANSISTOR		C283	NCB31HK-103X	C CAPACITOR	0.01uF 50V K
Q542	2SA1530A/QR/-X	TRANSISTOR		C284	QETN1HM-225Z	E CAPACITOR	2.2uF 50V M
Q543	2SD1267A/QP/	POW TRANSISTOR		C285	NCB31HK-103X	C CAPACITOR	0.01uF 50V K
Q621	2SD601A/QR/-X	TRANSISTOR		C286	QETN1HM-474Z	E CAPACITOR	0.47uF 50V M
Q622	2SD601A/QR/-X	TRANSISTOR		C287	QETN1CM-107Z	E CAPACITOR	100uF 16V M
Q623	2SA1530A/QR/-X	TRANSISTOR		C288	NCB31HK-103X	C CAPACITOR	0.01uF 50V K
Q625	2SD601A/QR/-X	TRANSISTOR		C302	NCB31EK-104X	C CAPACITOR	0.1uF 25V K
Q701	2SA1530A/QR/-X	TRANSISTOR		C352	QETN1EM-476Z	E CAPACITOR	47uF 25V M
Q951	2SD1383K/AB/-X	SI TRANSISTOR		C354	NCB31HK-103X	C CAPACITOR	0.01uF 50V K
Q971	2SA1208/ST/Z1-T	TRANSISTOR		C360	NCB31HK-103X	C CAPACITOR	0.01uF 50V K
D308	MTZJ4.3A-T2	Z DIODE		C391	QETN1CM-107Z	E CAPACITOR	100uF 16V M
D309	MTZJ5.1B-T2	Z DIODE		C392	NCB31HK-103X	C CAPACITOR	0.01uF 50V K
D310	MTZJ4.3A-T2	Z DIODE		C422	QFN32AK-102Z	M CAPACITOR	1000pF 100V K
D352	MTZJ9.1C-T2	Z DIODE		C424	QETN1VM-107Z	E CAPACITOR	100uF 35V M
D353	1SS133-T2	SI DIODE		C425	QETN1VM-477Z	E CAPACITOR	470uF 35V M
D354	MTZJ3.3A-T2	Z DIODE		C427	QETN1HM-225Z	E CAPACITOR	2.2uF 50V M
D421	1N4003-T2	SI DIODE		C428	QETM1EM-228	E CAPACITOR	2200uF 25V M
D422	MTZJ75-T2	Z DIODE		C431	QFLC2AK-563Z	M CAPACITOR	0.056uF 100V K
D501	RH3G-F1	SI DIODE		C433	QETN1EM-476Z	E CAPACITOR	47uF 25V M
D502	RU3AM-LFC4	SI DIODE		C435	NCB31HK-183X	C CAPACITOR	0.018uF 50V K
D521	RH1S-T3	SI DIODE		C440	QCS32HJ-100Z	C CAPACITOR	10pF 500V J
D523	RGP10J-04TS-T3	SI DIODE		C501	QCB32HK-151Z	C CAPACITOR	150pF 50V K
D525	1SS81-T5	SI DIODE		C502	QCB32HK-331Z	C CAPACITOR	330pF 500V K
D526	1SS81-T5	SI DIODE		C503	QEHR2CM-105Z	E CAPACITOR	1uF 160V M
D527	1SR124-400A-T2	SI DIODE		C504	QEZ0203-107	E CAPACITOR	100uF 160V M
D529	MTZJ9.1C-T2	Z DIODE		C507	QEZ0195-475Z	BP E CAPACITOR	4.7uF 50V M
△D531	MA4068N/Z1-T2	Z DIODE		△C510	QFZ0200-422	MPP CAPACITOR	4200pF 1.5kV H
D535	1SS133-T2	SI DIODE		△C513	QFZ0198-133	MPP CAPACITOR	0.013uF 1.5kV H
D601	MTZJ9.1C-T2	Z DIODE		C514	QFP32JJ-183	PP CAPACITOR	0.018uF 630V J
D602	MTZJ9.1C-T2	Z DIODE		C515	QFZ0197-474	MPP CAPACITOR	0.47uF 250V J
D603	MTZJ9.1C-T2	Z DIODE		C516	QCB32HK-561Z	C CAPACITOR	560pF 500V K
D621	1SS133-T2	SI DIODE		C521	QETN2EM-106Z	E CAPACITOR	10uF 250V M
D623	1SS133-T2	SI DIODE		C523	QEHR1VM-108Z	E CAPACITOR	1000uF 35V M
D626	1SS133-T2	SI DIODE		C525	QETN1VM-107Z	E CAPACITOR	100uF 35V M
D705	1SS133-T2	SI DIODE		C526	QFV21HJ-824Z	MF CAPACITOR	0.82uF 50V J
D706	MTZJ5.6B-T2	Z DIODE		C527	QFLC2AJ-103Z	M CAPACITOR	0.01uF 100V J
D707	MTZJ5.6B-T2	Z DIODE		C533	QETN1HM-106Z	E CAPACITOR	10uF 50V M
D708	MTZJ5.6B-T2	Z DIODE		C601	NCB31CK-224X	C CAPACITOR	0.22uF 16V K
D709	MTZJ5.6B-T2	Z DIODE		C602	NCB31CK-104X	C CAPACITOR	0.1uF 16V K
△D901	GSIB460	BRIDGE DIODE		C603	NCB31CK-104X	C CAPACITOR	0.1uF 16V K
D910	MA700A-T2	SB DIODE		C604	QETN1HM-106Z	E CAPACITOR	10uF 50V M
D911	RGP10J-04TS-T3	SI DIODE		C621	QETN1HM-106Z	E CAPACITOR	10uF 50V M
D912	RGP10J-04TS-T3	SI DIODE		C622	QETN1HM-106Z	E CAPACITOR	10uF 50V M
D913	1SS133-T2	SI DIODE		C624	QETN1HM-475Z	E CAPACITOR	4.7uF 50V M
D914	1SS133-T2	SI DIODE		C626	QETN1HM-475Z	E CAPACITOR	4.7uF 50V M
D915	SARS01-T2	SI DIODE		C627	NCF21CZ-105X	C CAPACITOR	1uF 16V Z
D917	MTZJ30A-T2	Z DIODE		C628	QETN1HM-226Z	E CAPACITOR	22uF 50V M
D918	MTZJ5.1C-T2	Z DIODE		C629	NCF21CZ-105X	C CAPACITOR	1uF 16V Z
D920	1SS133-T2	SI DIODE		C630	QETN1EM-227Z	E CAPACITOR	220uF 25V M
D931	RU4AM-LFT2	SI DIODE		C632	QETN1EM-477Z	E CAPACITOR	470uF 25V M
D933	RU3YX-LFC4	SI DIODE		C633	QETN1EM-227Z	E CAPACITOR	220uF 25V M
D935	RU3YX-LFC4	SI DIODE		C634	QETN1HM-106Z	E CAPACITOR	10uF 50V M
D937	RU3YX-LFC4	SI DIODE		C635	QETN1HM-105Z	E CAPACITOR	1uF 50V M
D941	MTZJ33A-T2	Z DIODE		C637	QETN1EM-108Z	E CAPACITOR	1000uF 25V M
D945	MTZJ9.1B-T2	Z DIODE		C638	QETN1EM-108Z	E CAPACITOR	1000uF 25V M
D952	1SS133-T2	SI DIODE		C651	NCF31AZ-105X	C CAPACITOR	1uF 10V Z
D953	1SS133-T2	SI DIODE		C652	NCF31AZ-105X	C CAPACITOR	1uF 10V Z
D954	1N4002G-T2	SI DIODE		C655	NCB31HK-332X	C CAPACITOR	3300pF 50V K
D955	1N4002G-T2	SI DIODE		C656	NCB31HK-332X	C CAPACITOR	3300pF 50V K
D956	1N4002G-T2	SI DIODE		C657	NCB31HK-333X	C CAPACITOR	0.033uF 50V K
				C658	NCB31HK-333X	C CAPACITOR	0.033uF 50V K
				C659	QETN1HM-106Z	E CAPACITOR	10uF 50V M
				C660	QETN1EM-476Z	E CAPACITOR	47uF 25V M

△Ref No.	Part No.	Part Name	Description Local	△Ref No.	Part No.	Part Name	Description Local
C661	NCB31HK-103X	C CAPACITOR	0.01uF 50V K	R318	NRSA63J-472X	MG RESISTOR	4.7kΩ 1/16W J
C662	QETN1HM-106Z	E CAPACITOR	10uF 50V M	R319	NRSA63J-102X	MG RESISTOR	1kΩ 1/16W J
C700	NCB31HK-102X	C CAPACITOR	1000pF 50V K	R354	NRSA63J-0R0X	MG RESISTOR	0Ω 1/16W J
C701	QETN1HM-106Z	E CAPACITOR	10uF 50V M	R355	NRSA63J-0R0X	MG RESISTOR	0Ω 1/16W J
C702	QETN1HM-106Z	E CAPACITOR	10uF 50V M	R356	NRSA63J-123X	MG RESISTOR	12kΩ 1/16W J
C703	QETN1HM-106Z	E CAPACITOR	10uF 50V M	R359	NRSA63J-103X	MG RESISTOR	10kΩ 1/16W J
C704	QETN1CM-107Z	E CAPACITOR	100uF 16V M	R421	NRSA63J-822X	MG RESISTOR	8.2kΩ 1/16W J
C705	NCB31HK-103X	C CAPACITOR	0.01uF 50V K	R423	NRSA63J-393X	MG RESISTOR	39kΩ 1/16W J
C708	NDC31HJ-220X	C CAPACITOR	22pF 50V J	R424	NRSA63J-393X	MG RESISTOR	39kΩ 1/16W J
C709	NDC31HJ-220X	C CAPACITOR	22pF 50V J	R426	NRSA63J-183X	MG RESISTOR	18kΩ 1/16W J
C711	QETN1CM-107Z	E CAPACITOR	100uF 16V M	R427	QRT029J-1R2	MF RESISTOR	1.2Ω 2W J
C712	NCB31HK-103X	C CAPACITOR	0.01uF 50V K	R428	QRE121J-120Y	C RESISTOR	12Ω 1/2W J
C728	NCB31HK-103X	C CAPACITOR	0.01uF 50V K	R429	NRSA63J-272X	MG RESISTOR	2.7kΩ 1/16W J
C807	QETN1AM-477Z	E CAPACITOR	470uF 10V M	R431	NRSA63J-152X	MG RESISTOR	1.5kΩ 1/16W J
C815	NCB31HK-103X	C CAPACITOR	0.01uF 50V K	R432	NRSA63J-101X	MG RESISTOR	100Ω 1/16W J
C853	QETN1EM-227Z	E CAPACITOR	220uF 25V M	R433	NRSA63J-681X	MG RESISTOR	680Ω 1/16W J
C854	QETN1CM-227Z	E CAPACITOR	220uF 16V M	R434	QRL029J-221	OMF RESISTOR	220Ω 2W J
C856	QETN1CM-227Z	E CAPACITOR	220uF 16V M	R435	QRE121J-102Y	C RESISTOR	1kΩ 1/2W J
C857	QETN0JM-477Z	E CAPACITOR	470uF 6.3V M	R441	NRSA63J-0R0X	MG RESISTOR	0Ω 1/16W J
△C901	QFZ9072-104	MM CAPACITOR	0.1uF AC250V K	R501	NRSA63J-0R0X	MG RESISTOR	0Ω 1/16W J
△C902	QFZ9072-473	MM CAPACITOR	0.047uF AC250V K	R502	NRSA63J-221X	MG RESISTOR	220Ω 1/16W J
△C903	QFZ9072-104	MM CAPACITOR	0.1uF AC250V K	R503	QRE121J-103Y	C RESISTOR	10kΩ 1/2W J
△C905	QCZ9054-102	C CAPACITOR	1000pF AC250V Z	R504	QRL039J-152	OMF RESISTOR	1.5kΩ 3W J
C907	QEZ0644-567	E CAPACITOR	560uF 200V K	R505	QRL039J-152	OMF RESISTOR	1.5kΩ 3W J
△C908	QCZ9054-102	C CAPACITOR	1000pF AC250V Z	R511	QRE121J-220Y	C RESISTOR	22Ω 1/2W J
C912	QCZ0340-222	C CAPACITOR	2200pF 2kV K	R512	QRE121J-681Y	C RESISTOR	680Ω 1/2W J
C913	QFLC1HJ-471Z	M CAPACITOR	470pF 50V J	R516	QRZ0221-2R0	OMF RESISTOR	2Ω 7W K
C914	QETN1HM-107Z	E CAPACITOR	100uF 50V M	R524	NRSA63J-563X	MG RESISTOR	56kΩ 1/16W J
C916	NDC31HJ-331X	C CAPACITOR	330pF 50V J	R526	QRE121J-272Y	C RESISTOR	2.7kΩ 1/2W J
C917	NCB31HK-182X	C CAPACITOR	1800pF 50V K	R527	QRE121J-154Y	C RESISTOR	150kΩ 1/2W J
C918	NCB31HK-104X	C CAPACITOR	0.1uF 50V K	R528	QRE121J-154Y	C RESISTOR	150kΩ 1/2W J
C919	QFP32GJ-103	PP CAPACITOR	0.01uF 400V J	R529	NRSA63J-331X	MG RESISTOR	330Ω 1/16W J
C931	QEZ0203-227	E CAPACITOR	220uF 160V M	△R531	QRZ0230-391X	UNF C RESISTOR	390Ω 1/4W J
C932	QETN1EM-108Z	E CAPACITOR	1000uF 25V M	R532	NRSA63J-273X	MG RESISTOR	27kΩ 1/16W J
C933	QETN1EM-108Z	E CAPACITOR	1000uF 25V M	R533	NRSA63J-123X	MG RESISTOR	12kΩ 1/16W J
C934	NDC31HJ-221X	C CAPACITOR	220pF 50V J	R534	NRSA63J-123X	MG RESISTOR	12kΩ 1/16W J
C935	QETN1VM-108Z	E CAPACITOR	1000uF 35V M	△R535	NRVA02D-272X	CMF RESISTOR	2.7kΩ 1/10W D
C937	QCZ0340-102	C CAPACITOR	1000pF 2kV K	R536	QRE121J-470Y	C RESISTOR	47Ω 1/2W J
C938	QETN1EM-477Z	E CAPACITOR	470uF 25V M	△R537	NRVA02D-752X	CMF RESISTOR	7.5kΩ 1/10W D
C939	QCB32HK-152Z	C CAPACITOR	1500pF 500V K	R538	NRSA63J-333X	MG RESISTOR	33kΩ 1/16W J
C941	QCB32HK-102Z	C CAPACITOR	1000pF 500V K	R543	QRE121J-122Y	C RESISTOR	1.2kΩ 1/2W J
C942	QEHR1HM-105Z	E CAPACITOR	1uF 50V M	R544	QRE121J-392Y	C RESISTOR	3.9kΩ 1/2W J
C943	QETN1CM-108Z	E CAPACITOR	1000uF 16V M	R545	QRE121J-822Y	C RESISTOR	8.2kΩ 1/2W J
C951	QETN1EM-477Z	E CAPACITOR	470uF 25V M	R546	NRSA63J-331X	MG RESISTOR	330Ω 1/16W J
C952	QETN1CM-227Z	E CAPACITOR	220uF 16V M	R547	NRSA63J-104X	MG RESISTOR	100kΩ 1/16W J
C971	QETN1CM-107Z	E CAPACITOR	100uF 16V M	R548	QRE121J-152Y	C RESISTOR	1.5kΩ 1/2W J
C972	QETN1EM-476Z	E CAPACITOR	47uF 25V M	R553	QRL039J-330	OMF RESISTOR	33Ω 3W J
△C997	QCZ9079-102	C CAPACITOR	1000pF AC250V M	△R554	QRK126J-220X	UNF C RESISTOR	22Ω 1/2W J
△C998	QCZ9074-103	C CAPACITOR	0.01uF AC250V M	R555	QRT029J-2R2	MF RESISTOR	2.2Ω 2W J
△C999	QCZ9074-103	C CAPACITOR	0.01uF AC250V M	R601	NRSA63J-750X	MG RESISTOR	75Ω 1/16W J
R001	NRSA63J-101X	MG RESISTOR	100Ω 1/16W J	R602	NRSA63J-750X	MG RESISTOR	75Ω 1/16W J
R002	NRSA63J-101X	MG RESISTOR	100Ω 1/16W J	R603	NRSA63J-750X	MG RESISTOR	75Ω 1/16W J
R003	NRSA63J-101X	MG RESISTOR	100Ω 1/16W J	R621	NRSA63J-123X	MG RESISTOR	12kΩ 1/16W J
R004	NRSA63J-0R0X	MG RESISTOR	0Ω 1/16W J	R623	NRSA63J-102X	MG RESISTOR	1kΩ 1/16W J
R008	NRSA63J-101X	MG RESISTOR	100Ω 1/16W J	R624	NRSA63J-123X	MG RESISTOR	12kΩ 1/16W J
R010	NRSA63J-101X	MG RESISTOR	100Ω 1/16W J	R626	NRSA63J-102X	MG RESISTOR	1kΩ 1/16W J
R201	NRSA63J-223X	MG RESISTOR	22kΩ 1/16W J	R627	NRSA63J-102X	MG RESISTOR	1kΩ 1/16W J
R212	NRSA63J-272X	MG RESISTOR	2.7kΩ 1/16W J	R628	NRSA63J-103X	MG RESISTOR	10kΩ 1/16W J
R215	NRSA63J-562X	MG RESISTOR	5.6kΩ 1/16W J	R630	NRSA63J-472X	MG RESISTOR	4.7kΩ 1/16W J
R216	NRSA63J-562X	MG RESISTOR	5.6kΩ 1/16W J	R631	NRSA63J-103X	MG RESISTOR	10kΩ 1/16W J
R217	NRSA63J-102X	MG RESISTOR	1kΩ 1/16W J	R649	NRSA63J-104X	MG RESISTOR	100kΩ 1/16W J
R227	NRSA63J-104X	MG RESISTOR	100kΩ 1/16W J	R651	NRSA63J-223X	MG RESISTOR	22kΩ 1/16W J
R231	NRSA63J-182X	MG RESISTOR	1.8kΩ 1/16W J	R652	NRSA63J-223X	MG RESISTOR	22kΩ 1/16W J
R237	NRSA63J-392X	MG RESISTOR	3.9kΩ 1/16W J	R653	NRSA63J-223X	MG RESISTOR	22kΩ 1/16W J
R238	NRSA63J-473X	MG RESISTOR	47kΩ 1/16W J	R654	NRSA63J-223X	MG RESISTOR	22kΩ 1/16W J
R241	NRSA63J-332X	MG RESISTOR	3.3kΩ 1/16W J	R655	NRSA63J-0R0X	MG RESISTOR	0Ω 1/16W J
R243	NRSA63J-152X	MG RESISTOR	1.5kΩ 1/16W J	R657	NRSA63J-0R0X	MG RESISTOR	0Ω 1/16W J
R281	NRSA63J-182X	MG RESISTOR	1.8kΩ 1/16W J	R659	NRSA63J-103X	MG RESISTOR	10kΩ 1/16W J
R282	NRSA63J-392X	MG RESISTOR	3.9kΩ 1/16W J	R700	NRSA63J-102X	MG RESISTOR	1kΩ 1/16W J
R283	NRSA63J-681X	MG RESISTOR	680Ω 1/16W J	R701	NRSA63J-103X	MG RESISTOR	10kΩ 1/16W J
R286	NRSA63J-472X	MG RESISTOR	4.7kΩ 1/16W J	R702	NRSA63J-102X	MG RESISTOR	1kΩ 1/16W J
R287	NRSA63J-101X	MG RESISTOR	100Ω 1/16W J	R704	NRSA63J-472X	MG RESISTOR	4.7kΩ 1/16W J
R288	NRSA02J-471X	MG RESISTOR	470Ω 1/10W J	R705	NRSA63J-472X	MG RESISTOR	4.7kΩ 1/16W J
R289	NRSA63J-154X	MG RESISTOR	150kΩ 1/16W J	R706	NRSA63J-472X	MG RESISTOR	4.7kΩ 1/16W J
R290	NRSA02J-561X	MG RESISTOR	560Ω 1/10W J	R707	NRSA63J-103X	MG RESISTOR	10kΩ 1/16W J
R292	NRSA63J-124X	MG RESISTOR	120kΩ 1/16W J	R708	NRSA63J-101X	MG RESISTOR	100Ω 1/16W J
R293	NRSA63J-224X	MG RESISTOR	220kΩ 1/16W J	R709	NRSA63J-101X	MG RESISTOR	100Ω 1/16W J
R296	NRSA63J-101X	MG RESISTOR	100Ω 1/16W J	R718	NRSA63J-101X	MG RESISTOR	100Ω 1/16W J
R297	NRSA63J-101X	MG RESISTOR	100Ω 1/16W J	R721	NRSA63J-102X	MG RESISTOR	1kΩ 1/16W J
R298	NRSA63J-101X	MG RESISTOR	100Ω 1/16W J	R729	NRSA63J-223X	MG RESISTOR	22kΩ 1/16W J
R301	NRSA63J-222X	MG RESISTOR	2.2kΩ 1/16W J	R731	NRSA63J-101X	MG RESISTOR	100Ω 1/16W J
R302	NRSA63J-222X	MG RESISTOR	2.2kΩ 1/16W J	R732	NRSA63J-101X	MG RESISTOR	100Ω 1/16W J
R303	NRSA63J-222X	MG RESISTOR	2.2kΩ 1/16W J	R733	NRSA63J-472X	MG RESISTOR	4.7kΩ 1/16W J
R304	NRSA63J-101X	MG RESISTOR	100Ω 1/16W J	R734	NRSA63J-472X	MG RESISTOR	4.7kΩ 1/16W J
R305	NRSA63J-101X	MG RESISTOR	100Ω 1/16W J	R739	NRSA63J-272X	MG RESISTOR	2.7kΩ 1/16W J
R306	NRSA63J-101X	MG RESISTOR	100Ω 1/16W J	R740	NRSA63J-103X	MG RESISTOR	10kΩ 1/16W J
				R764	NRSA63J-221X	MG RESISTOR	220Ω 1/16W J

△Ref No.	Part No.	Part Name	Description Local
R765	NRSA63J-221X	MG RESISTOR	220Ω 1/16W J
R766	NRSA63J-221X	MG RESISTOR	220Ω 1/16W J
R767	NRSA63J-221X	MG RESISTOR	220Ω 1/16W J
R769	NRSA63J-682X	MG RESISTOR	6.8kΩ 1/16W J
R772	NRSA63J-103X	MG RESISTOR	10kΩ 1/16W J
R811	NRSA63J-101X	MG RESISTOR	100Ω 1/16W J
R816	NRSA63J-101X	MG RESISTOR	100Ω 1/16W J
R827	NRSA63J-102X	MG RESISTOR	1kΩ 1/16W J
R839	NRSA63J-225X	MG RESISTOR	2.2MΩ 1/16W J
R855	QRL029J-820	OMF RESISTOR	82Ω 2W J
R857	QRL029J-820	OMF RESISTOR	82Ω 2W J
R901	QRF074K-1R2	UNF WW RESISTOR	1.2Ω 7W K
R909	QRG01GJ-470	OMF RESISTOR	47Ω 1W J
R911	QRE121J-223Y	C RESISTOR	22kΩ 1/2W J
R912	QRT029J-R18	MF RESISTOR	0.18Ω 2W J
R913	QRT029J-R15	MF RESISTOR	0.15Ω 2W J
△R914	QRK126J-681X	UNF C RESISTOR	680Ω 1/2W J
△R915	QRK129J-6R8	UNF C RESISTOR	6.8Ω 1/2W J
△R917	QRK126J-332X	UNF C RESISTOR	3.3kΩ 1/2W J
R918	QRE121J-222Y	C RESISTOR	2.2kΩ 1/2W J
R919	QRE121J-684Y	C RESISTOR	680kΩ 1/2W J
R924	QRE121J-222Y	C RESISTOR	2.2kΩ 1/2W J
R930	QRE121J-223Y	C RESISTOR	22kΩ 1/2W J
R933	QRX01GJ-1R0	MF RESISTOR	1Ω 1W J
R940	QRE121J-181Y	C RESISTOR	180Ω 1/2W J
R941	QRL029J-183	OMF RESISTOR	18kΩ 2W J
R950	NRSA63J-0R0X	MG RESISTOR	0Ω 1/16W J
R951	NRSA63J-473X	MG RESISTOR	47kΩ 1/16W J
R952	NRSA63J-102X	MG RESISTOR	1kΩ 1/16W J
R953	QRE121J-820Y	C RESISTOR	82Ω 1/2W J
R972	NRVA02D-102X	CMF RESISTOR	1kΩ 1/10W D
R973	NRVA02D-332X	CMF RESISTOR	3.3kΩ 1/10W D
R975	QRE121J-223Y	C RESISTOR	22kΩ 1/2W J
R977	QRE121J-473Y	C RESISTOR	47kΩ 1/2W J
R978	NRSA63J-333X	MG RESISTOR	33kΩ 1/16W J
△R998	QRZ9041-275	C RESISTOR	2.7MΩ 1/2W K
R999	QRE121J-121Y	C RESISTOR	120Ω 1/2W J
L001	QQL244K-220Z	PEAKING COIL	22uH K
L232	QQL244K-560Z	PEAKING COIL	56uH K
L241	QQL244K-220Z	PEAKING COIL	22uH K
L391	QQL244K-220Z	PEAKING COIL	22uH K
L511	QQR1027-005	LINEARITY COIL	
L512	QQLZ036-821	COIL	820uH K
L521	QQLZ018-800	COIL	80uH
L701	QQL244K-220Z	PEAKING COIL	22uH K
L702	QQL244K-220Z	PEAKING COIL	22uH K
L703	QQL244K-220Z	PEAKING COIL	22uH K
L704	QQL244K-220Z	PEAKING COIL	22uH K
L705	QQL244K-220Z	PEAKING COIL	22uH K
L931	QQL26AK-470Z	CHOKE COIL	47uH K
L933	QQL26AK-470Z	CHOKE COIL	47uH K
L937	QQL26AK-470Z	CHOKE COIL	47uH K
L940	QQR0582-001Z	FERRITE BEADS	
T501	QQR1414-001	DRIVE TRANSF	
△T921	QQS0152-001	SW TRANSF	
△T951	QQT0355-001	POWER TRANSF	
CN001	QGB1505J1-35	CONNECTOR	B-B (1-35)
CN0E1	CE41507-001P	LV CONNECTOR	
CN0E3	CE41507-001P	LV CONNECTOR	
CN0HV	QGGZ5004C1-06	CONNECTOR	(1-6)
△CN0PW	QMPD390-200-JS	POWER CORD(US/CA)	2m BLACK
△CP936	ICP-N70-T	IC PROTECTOR	2.5A
△F901	QMF51N1-5R0-J5	FUSE	5A AC125V
△FR525	QRZ9017-4R7	FUSI RESISTOR	4.7Ω 1/4W J
J601	QNN0349-002	PIN JACK	COMPONENT IN
K401	QQR0621-002Z	FERRITE BEADS	
K912	QQR0582-001Z	FERRITE BEADS	
K916	QQR0582-001Z	FERRITE BEADS	
K917	QQR0582-001Z	FERRITE BEADS	
K918	QQR0582-001Z	FERRITE BEADS	
K920	QQR1139-001	FERRITE BEADS	
K931	QQR0582-001Z	FERRITE BEADS	
K932	QQR0582-001Z	FERRITE BEADS	
K933	QQR0582-001Z	FERRITE BEADS	
K935	QQR0582-001Z	FERRITE BEADS	
K937	QQR0582-001Z	FERRITE BEADS	
LC601	QQR1199-001	EMI FILTER	
LC602	QQR1199-001	EMI FILTER	
LC603	QQR1199-001	EMI FILTER	
△LF901	QQR0527-003	LINE FILTER	
△LF902	QQR0527-003	LINE FILTER	
△PC921	PC123Y22	PHOTO COUPLER	
△RY951	QSK0085-001	RELAY	
S421	QSL4A13-C02	LEVER SWITCH	V.CENTER
△TH901	QAD0132-3R0	P THERMISTOR	3Ω

△Ref No.	Part No.	Part Name	Description Local
△TU001	QAU0352-002	TUNER	
△VA901	ERZV10V621CS	ZNR	
X701	QAX0767-001Z	CRYSTAL	8MHz

### CRT SOCKET P.W. BOARD ASS'Y (SGJ-3521A-M2)

△Ref No.	Part No.	Part Name	Description Local
Q3103	2SC3928A/QR-X	TRANSISTOR	
Q3107	2SA2005/DE/	POW TRANSISTOR	
Q3108	2SC5511/DE/	POW TRANSISTOR	
Q3109	2SC3928A/QR-X	TRANSISTOR	
Q3304	2SC4544-LB	POW TRANSISTOR	
Q3305	2SC4544-LB	POW TRANSISTOR	
Q3306	2SC4544-LB	POW TRANSISTOR	
Q3351	2SA1530A/QR-X	TRANSISTOR	
D3105	RH1S-T3	SI DIODE	
D3106	RH1S-T3	SI DIODE	
D3331	1SS133-T2	SI DIODE	
D3351	1SS133-T2	SI DIODE	
D3352	1SS133-T2	SI DIODE	
D3353	1SS133-T2	SI DIODE	
D3354	1SS133-T2	SI DIODE	
C3101	QETN1HM-106Z	E CAPACITOR	10uF 50V M
C3113	QETN2CM-106Z	E CAPACITOR	10uF 160V M
C3114	QCB32HK-472Z	C CAPACITOR	4700pF 500V K
C3115	QCB32HK-472Z	C CAPACITOR	4700pF 500V K
C3117	QETN2CM-106Z	E CAPACITOR	10uF 160V M
C3118	QETN0JM-107Z	E CAPACITOR	100uF 6.3V M
C3119	QETN1AM-107Z	E CAPACITOR	100uF 10V M
C3120	QETN1AM-337Z	E CAPACITOR	330uF 10V M
C3121	QCS32HJ-151Z	C CAPACITOR	150pF 500V J
C3127	NDC31HJ-471X	C CAPACITOR	470pF 50V J
C3301	NDC31HJ-561X	C CAPACITOR	560pF 50V J
C3302	NDC31HJ-391X	C CAPACITOR	390pF 50V J
C3303	NDC31HJ-561X	C CAPACITOR	560pF 50V J
C3323	QETN1CM-477Z	E CAPACITOR	470uF 16V M
C3331	NDC31HJ-181X	C CAPACITOR	180pF 50V J
C3332	NDC31HJ-181X	C CAPACITOR	180pF 50V J
C3333	NDC31HJ-181X	C CAPACITOR	180pF 50V J
C3351	QETN1CM-227Z	E CAPACITOR	220uF 16V M
C3363	QCZ0121-102	C CAPACITOR	1000pF 3KV Z
R3115	NRSA63J-470X	MG RESISTOR	47Ω 1/16W J
R3116	NRSA63J-470X	MG RESISTOR	47Ω 1/16W J
R3122	QRT029J-R15	MF RESISTOR	0.15Ω 2W J
R3123	NRSA63J-122X	MG RESISTOR	1.2kΩ 1/16W J
R3124	NRSA63J-820X	MG RESISTOR	82Ω 1/16W J
R3125	NRSA63J-100X	MG RESISTOR	10Ω 1/16W J
R3126	NRSA63J-563X	MG RESISTOR	56kΩ 1/16W J
R3127	NRSA63J-563X	MG RESISTOR	56kΩ 1/16W J
R3128	NRSA63J-122X	MG RESISTOR	1.2kΩ 1/16W J
R3129	NRSA63J-100X	MG RESISTOR	10Ω 1/16W J
R3130	NRSA63J-820X	MG RESISTOR	82Ω 1/16W J
R3131	NRSA63J-331X	MG RESISTOR	330Ω 1/16W J
R3132	QRL029J-391	OMF RESISTOR	390Ω 2W J
R3134	NRSA63J-101X	MG RESISTOR	100Ω 1/16W J
R3136	NRSA63J-392X	MG RESISTOR	3.9kΩ 1/16W J
R3139	NRSA63J-331X	MG RESISTOR	330Ω 1/16W J
R3142	NRSA63J-123X	MG RESISTOR	12kΩ 1/16W J
R3143	NRSA63J-122X	MG RESISTOR	1.2kΩ 1/16W J
R3144	NRSA63J-101X	MG RESISTOR	100Ω 1/16W J
R3145	NRSA63J-100X	MG RESISTOR	10Ω 1/16W J
R3146	NRSA63J-100X	MG RESISTOR	10Ω 1/16W J
R3148	NRSA63J-101X	MG RESISTOR	100Ω 1/16W J
R3301	NRSA63J-151X	MG RESISTOR	150Ω 1/16W J
R3302	NRSA63J-151X	MG RESISTOR	150Ω 1/16W J
R3303	NRSA63J-151X	MG RESISTOR	150Ω 1/16W J
R3304	NRSA63J-151X	MG RESISTOR	150Ω 1/16W J
R3305	NRSA63J-151X	MG RESISTOR	150Ω 1/16W J
R3306	NRSA63J-151X	MG RESISTOR	150Ω 1/16W J
R3307	NRSA63J-470X	MG RESISTOR	47Ω 1/16W J
R3308	NRSA63J-470X	MG RESISTOR	47Ω 1/16W J
R3309	NRSA63J-470X	MG RESISTOR	47Ω 1/16W J
R3310	QRL029J-183	OMF RESISTOR	18kΩ 2W J
R3311	QRL029J-183	OMF RESISTOR	18kΩ 2W J
R3312	QRL029J-183	OMF RESISTOR	18kΩ 2W J
R3313	QRL029J-223	OMF RESISTOR	22kΩ 2W J
R3314	QRL029J-223	OMF RESISTOR	22kΩ 2W J
R3315	QRL029J-223	OMF RESISTOR	22kΩ 2W J
R3325	QRZ0107-102Z	C RESISTOR	1kΩ 1/2W K

△Ref No.	Part No.	Part Name	Description Local
R3326	QRZ0107-102Z	C RESISTOR	1kΩ 1/2W K
R3327	QRZ0107-102Z	C RESISTOR	1kΩ 1/2W K
R3331	NRSA63J-222X	MG RESISTOR	2.2kΩ 1/16W J
R3332	NRSA63J-222X	MG RESISTOR	2.2kΩ 1/16W J
R3333	NRSA63J-222X	MG RESISTOR	2.2kΩ 1/16W J
R3334	NRSA63J-182X	MG RESISTOR	1.8kΩ 1/16W J
R3335	NRSA63J-391X	MG RESISTOR	390Ω 1/16W J
R3351	NRSA63J-151X	MG RESISTOR	150Ω 1/16W J
R3354	NRSA63J-561X	MG RESISTOR	560Ω 1/16W J
R3355	NRSA63J-103X	MG RESISTOR	10kΩ 1/16W J
L3304	QQL244K-470Z	PEAKING COIL	47uH K
CN3004	QJB003-074022	SIN ID C-B WIRE	
CN3005	WJA0029-002A	E-SI ID WIRE	
CN30E2	QUB130-46A6AS	SIN TWIST WIRE	
CN30E4	QUB130-46A6AS	SIN TWIST WIRE	
K3104	QQR1114-001Z	FERRITE BEADS	
K3105	QQR1114-001Z	FERRITE BEADS	
△SK3001	QNZ0536-001	CRT SOCKET	

### AV SELECTOR P.W. BOARD ASS'Y (SGJ-5521A-M2)

REFER TO PARTS LIST IN PAGE 3-9 FOR THIS P.W. BOARD.

### FRONT CONTROL P.W. BOARD ASS'Y (SGJ-6521A-M2)

REFER TO PARTS LIST IN PAGE 3-10 FOR THIS P.W. BOARD.

### LED & POWER SW P.W. BOARD ASS'Y (SGJ-7521A-M2)

REFER TO PARTS LIST IN PAGE 3-10 FOR THIS P.W. BOARD.

# PRINTED WIRING BOARD PARTS LIST [AV-32F476/z]

## MAIN P.W. BOARD ASS'Y (SGJ-1575A-M2)

△Ref No.	Part No.	Part Name	Description Local	△Ref No.	Part No.	Part Name	Description Local
IC201	TM8812CSDNG5JB4	IC		D957	1N4002G-T2	SI DIODE	
IC421	LA78041	IC		D972	MTZJ15C-T2	Z DIODE	
IC621	TFA9843J/N1	IC		D973	1SS133-T2	SI DIODE	
IC651	NJM2150AD	IC		△PC921	PC123Y22	PHOTO COUPLER	
IC702	ATE08-27F476R	IC	(SERVICE)	C001	NDC31HJ-100X	C CAPACITOR	10pF 50V J
IC703	S-80840CNY-G-T	IC		C002	QETN0JM-477Z	E CAPACITOR	470uF 6.3V M
IC704	AN78L05-T	IC		C202	QETN1HM-105Z	E CAPACITOR	1uF 50V M
IC852	L7809CP	IC		C203	NCB31HK-152X	C CAPACITOR	1500pF 50V K
IC853	L7805CP	IC		C211	QENC1CM-106Z	BP E CAPACITOR	10uF 16V M
△IC911	STR-G9626-F3	IC		C212	NDC31HJ-100X	C CAPACITOR	10pF 50V J
△IC921	SE135N	IC		C221	QETN1HM-106Z	E CAPACITOR	10uF 50V M
Q003	UN2212-X	DIGI TRANSISTOR		C222	NCF31AZ-105X	C CAPACITOR	1uF 10V Z
Q211	2SC3928A/QR/-X	TRANSISTOR		C223	NCB31HK-103X	C CAPACITOR	0.01uF 50V K
Q232	2SC3928A/QR/-X	TRANSISTOR		C233	NDC31HJ-680X	C CAPACITOR	68pF 50V J
Q233	2SC3928A/QR/-X	TRANSISTOR		C237	NCB31HK-103X	C CAPACITOR	0.01uF 50V K
Q352	2SC3928A/QR/-X	TRANSISTOR		C241	NCB31HK-103X	C CAPACITOR	0.01uF 50V K
Q501	2SC4212/Z1/	TRANSISTOR		C242	QETN1HM-225Z	E CAPACITOR	2.2uF 50V M
△Q511	2SD2645-YD	POW TRANSISTOR	H. OUT	C243	QETN0JM-227Z	E CAPACITOR	220uF 6.3V M
△Q531	2SC2785/JH/-T	TRANSISTOR		C244	NCB31HK-103X	C CAPACITOR	0.01uF 50V K
Q532	2SA1530A/QR/-X	TRANSISTOR		C281	QFVF1HJ-474Z	MF CAPACITOR	0.47uF 50V J
Q541	2SA1530A/QR/-X	TRANSISTOR		C282	QETN1CM-107Z	E CAPACITOR	100uF 16V M
Q542	2SA1530A/QR/-X	TRANSISTOR		C283	NCB31HK-103X	C CAPACITOR	0.01uF 50V K
Q543	2SD1267A/QP/	POW TRANSISTOR		C284	QETN1HM-225Z	E CAPACITOR	2.2uF 50V M
Q621	2SD601A/QR/-X	TRANSISTOR		C285	NCB31HK-103X	C CAPACITOR	0.01uF 50V K
Q622	2SD601A/QR/-X	TRANSISTOR		C286	QETN1HM-474Z	E CAPACITOR	0.47uF 50V M
Q623	2SA1530A/QR/-X	TRANSISTOR		C287	QETN1CM-107Z	E CAPACITOR	100uF 16V M
Q625	2SD601A/QR/-X	TRANSISTOR		C288	NCB31HK-103X	C CAPACITOR	0.01uF 50V K
Q701	2SA1530A/QR/-X	TRANSISTOR		C302	NCB31EK-104X	C CAPACITOR	0.1uF 25V K
Q951	2SD1383K/AB/-X	SI TRANSISTOR		C352	QETN1EM-476Z	E CAPACITOR	47uF 25V M
Q971	2SA1208/ST/Z1-T	TRANSISTOR		C354	NCB31HK-103X	C CAPACITOR	0.01uF 50V K
D308	MTZJ4.3A-T2	Z DIODE		C360	NCB31HK-103X	C CAPACITOR	0.01uF 50V K
D309	MTZJ5.1B-T2	Z DIODE		C391	QETN1CM-107Z	E CAPACITOR	100uF 16V M
D310	MTZJ4.3A-T2	Z DIODE		C392	NCB31HK-103X	C CAPACITOR	0.01uF 50V K
D352	MTZJ9.1C-T2	Z DIODE		C422	QFN32AK-102Z	M CAPACITOR	1000pF 100V K
D353	1SS133-T2	SI DIODE		C424	QETN1VM-107Z	E CAPACITOR	100uF 35V M
D354	MTZJ3.3A-T2	Z DIODE		C425	QETN1VM-477Z	E CAPACITOR	470uF 35V M
D421	1N4003-T2	SI DIODE		C427	QETN1HM-225Z	E CAPACITOR	2.2uF 50V M
D422	MTZJ75-T2	Z DIODE		C428	QETM1EM-228	E CAPACITOR	2200uF 25V M
D501	RH3G-F1	SI DIODE		C431	QFLC2AK-563Z	M CAPACITOR	0.056uF 100V K
D502	RU3AM-LFC4	SI DIODE		C433	QETN1EM-476Z	E CAPACITOR	47uF 25V M
D521	RH1S-T3	SI DIODE		C435	NCB31HK-183X	C CAPACITOR	0.018uF 50V K
D523	RGP10J-04TS-T3	SI DIODE		C440	QCS32HJ-100Z	C CAPACITOR	10pF 500V J
D525	1SS81-T5	SI DIODE		C501	QCB32HK-151Z	C CAPACITOR	150pF 500V K
D526	1SS81-T5	SI DIODE		C502	QCB32HK-331Z	C CAPACITOR	330pF 500V K
D527	1SR124-400A-T2	SI DIODE		C503	QEHR2CM-105Z	E CAPACITOR	1uF 160V M
D529	MTZJ9.1C-T2	Z DIODE		C504	QEZ0203-107	E CAPACITOR	100uF 160V M
△D531	MA4068N/Z1-T2	Z DIODE		C507	QEZ0195-475Z	BP E CAPACITOR	4.7uF 50V M
D535	1SS133-T2	SI DIODE		△C510	QFZ0200-382	MPP CAPACITOR	3800pF 1.5kV H
D601	MTZJ9.1C-T2	Z DIODE		△C513	QFZ0196-103	MPP CAPACITOR	0.01uF 1.5kV H
D602	MTZJ9.1C-T2	Z DIODE		C514	QFP32JJ-183	PP CAPACITOR	0.018uF 630V J
D603	MTZJ9.1C-T2	Z DIODE		C515	QFZ0197-334	MPP CAPACITOR	0.33uF 250V J
D621	1SS133-T2	SI DIODE		C516	QCB32HK-561Z	C CAPACITOR	560pF 500V K
D623	1SS133-T2	SI DIODE		C521	QETN2EM-106Z	E CAPACITOR	10uF 250V M
D626	1SS133-T2	SI DIODE		C523	QEHR1VM-108Z	E CAPACITOR	1000uF 35V M
D705	1SS133-T2	SI DIODE		C525	QETN1VM-107Z	E CAPACITOR	100uF 35V M
D706	MTZJ5.6B-T2	Z DIODE		C526	QFV21HJ-824Z	MF CAPACITOR	0.82uF 50V J
D707	MTZJ5.6B-T2	Z DIODE		C527	QFLC2AJ-103Z	M CAPACITOR	0.01uF 100V J
D708	MTZJ5.6B-T2	Z DIODE		C533	QETN1HM-106Z	E CAPACITOR	10uF 50V M
D709	MTZJ5.6B-T2	Z DIODE		C601	NCB31CK-224X	C CAPACITOR	0.22uF 16V K
△D901	GSIB460	BRIDGE DIODE		C602	NCB31CK-104X	C CAPACITOR	0.1uF 16V K
D910	MA700A-T2	SB DIODE		C603	NCB31CK-104X	C CAPACITOR	0.1uF 16V K
D911	RGP10J-04TS-T3	SI DIODE		C604	QETN1HM-106Z	E CAPACITOR	10uF 50V M
D912	RGP10J-04TS-T3	SI DIODE		C621	QETN1HM-106Z	E CAPACITOR	10uF 50V M
D913	1SS133-T2	SI DIODE		C622	QETN1HM-106Z	E CAPACITOR	10uF 50V M
D914	1SS133-T2	SI DIODE		C624	QETN1HM-475Z	E CAPACITOR	4.7uF 50V M
D915	SARS01-T2	SI DIODE		C626	QETN1HM-475Z	E CAPACITOR	4.7uF 50V M
D917	MTZJ30A-T2	Z DIODE		C627	NCF21CZ-105X	C CAPACITOR	1uF 16V Z
D918	MTZJ5.1C-T2	Z DIODE		C628	QETN1HM-226Z	E CAPACITOR	22uF 50V M
D920	1SS133-T2	SI DIODE		C629	NCF21CZ-105X	C CAPACITOR	1uF 16V Z
D931	RU4AM-LFT2	SI DIODE		C630	QETN1EM-227Z	E CAPACITOR	220uF 25V M
D933	RU3YX-LFC4	SI DIODE		C632	QETN1EM-477Z	E CAPACITOR	470uF 25V M
D935	RU3YX-LFC4	SI DIODE		C633	QETN1EM-227Z	E CAPACITOR	220uF 25V M
D937	RU3YX-LFC4	SI DIODE		C634	QETN1HM-106Z	E CAPACITOR	10uF 50V M
D941	MTZJ33A-T2	Z DIODE		C635	QETN1HM-105Z	E CAPACITOR	1uF 50V M
D945	MTZJ9.1B-T2	Z DIODE		C637	QETN1EM-108Z	E CAPACITOR	1000uF 25V M
D952	1SS133-T2	SI DIODE		C638	QETN1EM-108Z	E CAPACITOR	1000uF 25V M
D953	1SS133-T2	SI DIODE		C651	NCF31AZ-105X	C CAPACITOR	1uF 10V Z
D954	1N4002G-T2	SI DIODE		C652	NCF31AZ-105X	C CAPACITOR	1uF 10V Z
D955	1N4002G-T2	SI DIODE		C655	NCB31HK-332X	C CAPACITOR	3300pF 50V K
D956	1N4002G-T2	SI DIODE		C656	NCB31HK-332X	C CAPACITOR	3300pF 50V K
				C657	NCB31HK-333X	C CAPACITOR	0.033uF 50V K
				C658	NCB31HK-333X	C CAPACITOR	0.033uF 50V K

△Ref No.	Part No.	Part Name	Description Local	△Ref No.	Part No.	Part Name	Description Local
C659	QETN1HM-106Z	E CAPACITOR	10uF 50V M	R305	NRSA63J-101X	MG RESISTOR	100Ω 1/16W J
C660	QETN1EM-476Z	E CAPACITOR	47uF 25V M	R306	NRSA63J-101X	MG RESISTOR	100Ω 1/16W J
C661	NCB31HK-103X	C CAPACITOR	0.01uF 50V K	R318	NRSA63J-472X	MG RESISTOR	4.7kΩ 1/16W J
C662	QETN1HM-106Z	E CAPACITOR	10uF 50V M	R319	NRSA63J-102X	MG RESISTOR	1kΩ 1/16W J
C700	NCB31HK-102X	C CAPACITOR	1000pF 50V K	R354	NRSA63J-0R0X	MG RESISTOR	0Ω 1/16W J
C701	QETN1HM-106Z	E CAPACITOR	10uF 50V M	R355	NRSA63J-0R0X	MG RESISTOR	0Ω 1/16W J
C702	QETN1HM-106Z	E CAPACITOR	10uF 50V M	R356	NRSA63J-123X	MG RESISTOR	12kΩ 1/16W J
C703	QETN1HM-106Z	E CAPACITOR	10uF 50V M	R359	NRSA63J-103X	MG RESISTOR	10kΩ 1/16W J
C704	QETN1CM-107Z	E CAPACITOR	100uF 16V M	R421	NRSA63J-822X	MG RESISTOR	8.2kΩ 1/16W J
C705	NCB31HK-103X	C CAPACITOR	0.01uF 50V K	R423	NRSA63J-393X	MG RESISTOR	39kΩ 1/16W J
C708	NDC31HJ-220X	C CAPACITOR	22pF 50V J	R424	NRSA63J-393X	MG RESISTOR	39kΩ 1/16W J
C709	NDC31HJ-220X	C CAPACITOR	22pF 50V J	R426	NRSA63J-183X	MG RESISTOR	18kΩ 1/16W J
C711	QETN1CM-107Z	E CAPACITOR	100uF 16V M	R427	QRT029J-1R2	MF RESISTOR	1.2Ω 2W J
C712	NCB31HK-103X	C CAPACITOR	0.01uF 50V K	R428	QRE121J-120Y	C RESISTOR	12Ω 1/2W J
C728	NCB31HK-103X	C CAPACITOR	0.01uF 50V K	R429	NRSA63J-272X	MG RESISTOR	2.7kΩ 1/16W J
C807	QETN1AM-477Z	E CAPACITOR	470uF 10V M	R431	NRSA63J-152X	MG RESISTOR	1.5kΩ 1/16W J
C815	NCB31HK-103X	C CAPACITOR	0.01uF 50V K	R432	NRSA63J-101X	MG RESISTOR	100Ω 1/16W J
C853	QETN1EM-227Z	E CAPACITOR	220uF 25V M	R433	NRSA63J-681X	MG RESISTOR	680Ω 1/16W J
C854	QETN1CM-227Z	E CAPACITOR	220uF 16V M	R434	QRL029J-221	OMF RESISTOR	220Ω 2W J
C856	QETN1CM-227Z	E CAPACITOR	220uF 16V M	R435	QRE121J-821Y	C RESISTOR	820Ω 1/2W J
C857	QETN0JM-477Z	E CAPACITOR	470uF 6.3V M	R441	NRSA63J-0R0X	MG RESISTOR	0Ω 1/16W J
△C901	QFZ9072-104	MM CAPACITOR	0.1uF AC250V K	R501	NRSA63J-0R0X	MG RESISTOR	0Ω 1/16W J
△C902	QFZ9072-473	MM CAPACITOR	0.047uF AC250V K	R502	NRSA63J-221X	MG RESISTOR	220Ω 1/16W J
△C903	QFZ9072-104	MM CAPACITOR	0.1uF AC250V K	R503	QRE121J-103Y	C RESISTOR	10kΩ 1/2W J
△C905	QCZ9054-102	C CAPACITOR	1000pF AC250V Z	R504	QRL039J-152	OMF RESISTOR	1.5kΩ 3W J
C907	QEZ0644-567	E CAPACITOR	560uF 200V K	R505	QRL039J-152	OMF RESISTOR	1.5kΩ 3W J
△C908	QCZ9054-102	C CAPACITOR	1000pF AC250V Z	R511	QRE121J-220Y	C RESISTOR	22Ω 1/2W J
C912	QCZ0340-222	C CAPACITOR	2200pF 2kV K	R512	QRE121J-681Y	C RESISTOR	680Ω 1/2W J
C913	QFLC1HJ-471Z	M CAPACITOR	470pF 50V J	R516	QRZ0221-2R0	OMF RESISTOR	2Ω 7W K
C914	QETN1HM-107Z	E CAPACITOR	100uF 50V M	R524	NRSA63J-563X	MG RESISTOR	56kΩ 1/16W J
C916	NDC31HJ-331X	C CAPACITOR	330pF 50V J	R526	QRE121J-272Y	C RESISTOR	2.7kΩ 1/2W J
C917	NCB31HK-182X	C CAPACITOR	1800pF 50V K	R527	QRE121J-154Y	C RESISTOR	150kΩ 1/2W J
C918	NCB31HK-104X	C CAPACITOR	0.1uF 50V K	R528	QRE121J-154Y	C RESISTOR	150kΩ 1/2W J
C919	QFP32GJ-103	PP CAPACITOR	0.01uF 400V J	R529	NRSA63J-331X	MG RESISTOR	330Ω 1/16W J
C931	QEZ0203-227	E CAPACITOR	220uF 160V M	△R531	QRZ0230-391X	UNF C RESISTOR	390Ω 1/4W J
C932	QETN1EM-108Z	E CAPACITOR	1000uF 25V M	R532	NRSA63J-273X	MG RESISTOR	27kΩ 1/16W J
C933	QETN1EM-108Z	E CAPACITOR	1000uF 25V M	R533	NRSA63J-123X	MG RESISTOR	12kΩ 1/16W J
C934	NDC31HJ-221X	C CAPACITOR	220pF 50V J	R534	NRSA63J-123X	MG RESISTOR	12kΩ 1/16W J
C935	QETN1VM-108Z	E CAPACITOR	1000uF 35V M	△R535	NRVA02D-242X	CMF RESISTOR	2.4kΩ 1/10W D
C937	QCZ0340-102	C CAPACITOR	1000pF 2kV K	R536	QRE121J-470Y	C RESISTOR	47Ω 1/2W J
C938	QETN1EM-477Z	E CAPACITOR	470uF 25V M	△R537	NRVA02D-752X	CMF RESISTOR	7.5kΩ 1/10W D
C939	QCB32HK-152Z	C CAPACITOR	1500pF 500V K	R538	NRSA63J-333X	MG RESISTOR	33kΩ 1/16W J
C941	QCB32HK-102Z	C CAPACITOR	1000pF 500V K	R543	QRE121J-122Y	C RESISTOR	1.2kΩ 1/2W J
C942	QEHR1HM-105Z	E CAPACITOR	1uF 50V M	R544	QRE121J-392Y	C RESISTOR	3.9kΩ 1/2W J
C943	QETN1CM-108Z	E CAPACITOR	1000uF 16V M	R545	QRE121J-153Y	C RESISTOR	15kΩ 1/2W J
C951	QETN1EM-477Z	E CAPACITOR	470uF 25V M	R546	NRSA63J-331X	MG RESISTOR	330Ω 1/16W J
C952	QETN1CM-227Z	E CAPACITOR	220uF 16V M	R547	NRSA63J-104X	MG RESISTOR	100kΩ 1/16W J
C971	QETN1CM-107Z	E CAPACITOR	100uF 16V M	R548	QRE121J-152Y	C RESISTOR	1.5kΩ 1/2W J
C972	QETN1EM-476Z	E CAPACITOR	47uF 25V M	R553	QRL039J-330	OMF RESISTOR	33Ω 3W J
△C997	QCZ9079-102	C CAPACITOR	1000pF AC250V M	△R554	QRK126J-220X	UNF C RESISTOR	22Ω 1/2W J
△C998	QCZ9074-103	C CAPACITOR	0.01uF AC250V M	R555	QRT029J-2R2	MF RESISTOR	2.2Ω 2W J
△C999	QCZ9074-103	C CAPACITOR	0.01uF AC250V M	R601	NRSA63J-750X	MG RESISTOR	75Ω 1/16W J
R001	NRSA63J-101X	MG RESISTOR	100Ω 1/16W J	R602	NRSA63J-750X	MG RESISTOR	75Ω 1/16W J
R002	NRSA63J-101X	MG RESISTOR	100Ω 1/16W J	R603	NRSA63J-750X	MG RESISTOR	75Ω 1/16W J
R003	NRSA63J-101X	MG RESISTOR	100Ω 1/16W J	R621	NRSA63J-123X	MG RESISTOR	12kΩ 1/16W J
R004	NRSA63J-0R0X	MG RESISTOR	0Ω 1/16W J	R623	NRSA63J-102X	MG RESISTOR	1kΩ 1/16W J
R008	NRSA63J-101X	MG RESISTOR	100Ω 1/16W J	R624	NRSA63J-123X	MG RESISTOR	12kΩ 1/16W J
R010	NRSA63J-101X	MG RESISTOR	100Ω 1/16W J	R626	NRSA63J-102X	MG RESISTOR	1kΩ 1/16W J
R201	NRSA63J-223X	MG RESISTOR	22kΩ 1/16W J	R627	NRSA63J-102X	MG RESISTOR	1kΩ 1/16W J
R212	NRSA63J-272X	MG RESISTOR	2.7kΩ 1/16W J	R628	NRSA63J-103X	MG RESISTOR	10kΩ 1/16W J
R215	NRSA63J-562X	MG RESISTOR	5.6kΩ 1/16W J	R630	NRSA63J-472X	MG RESISTOR	4.7kΩ 1/16W J
R216	NRSA63J-562X	MG RESISTOR	5.6kΩ 1/16W J	R631	NRSA63J-103X	MG RESISTOR	10kΩ 1/16W J
R217	NRSA63J-102X	MG RESISTOR	1kΩ 1/16W J	R649	NRSA63J-104X	MG RESISTOR	100kΩ 1/16W J
R227	NRSA63J-104X	MG RESISTOR	100kΩ 1/16W J	R651	NRSA63J-223X	MG RESISTOR	22kΩ 1/16W J
R231	NRSA63J-182X	MG RESISTOR	1.8kΩ 1/16W J	R652	NRSA63J-223X	MG RESISTOR	22kΩ 1/16W J
R237	NRSA63J-392X	MG RESISTOR	3.9kΩ 1/16W J	R653	NRSA63J-223X	MG RESISTOR	22kΩ 1/16W J
R238	NRSA63J-473X	MG RESISTOR	47kΩ 1/16W J	R654	NRSA63J-223X	MG RESISTOR	22kΩ 1/16W J
R241	NRSA63J-332X	MG RESISTOR	3.3kΩ 1/16W J	R655	NRSA63J-0R0X	MG RESISTOR	0Ω 1/16W J
R243	NRSA63J-152X	MG RESISTOR	1.5kΩ 1/16W J	R657	NRSA63J-0R0X	MG RESISTOR	0Ω 1/16W J
R281	NRSA63J-182X	MG RESISTOR	1.8kΩ 1/16W J	R659	NRSA63J-103X	MG RESISTOR	10kΩ 1/16W J
R282	NRSA63J-392X	MG RESISTOR	3.9kΩ 1/16W J	R700	NRSA63J-102X	MG RESISTOR	1kΩ 1/16W J
R283	NRSA63J-681X	MG RESISTOR	680Ω 1/16W J	R701	NRSA63J-103X	MG RESISTOR	10kΩ 1/16W J
R286	NRSA63J-472X	MG RESISTOR	4.7kΩ 1/16W J	R702	NRSA63J-102X	MG RESISTOR	1kΩ 1/16W J
R287	NRSA63J-101X	MG RESISTOR	100Ω 1/16W J	R704	NRSA63J-472X	MG RESISTOR	4.7kΩ 1/16W J
R288	NRSA02J-471X	MG RESISTOR	470Ω 1/10W J	R705	NRSA63J-472X	MG RESISTOR	4.7kΩ 1/16W J
R289	NRSA63J-154X	MG RESISTOR	150kΩ 1/16W J	R706	NRSA63J-472X	MG RESISTOR	4.7kΩ 1/16W J
R290	NRSA02J-561X	MG RESISTOR	560Ω 1/10W J	R707	NRSA63J-103X	MG RESISTOR	10kΩ 1/16W J
R292	NRSA63J-124X	MG RESISTOR	120kΩ 1/16W J	R708	NRSA63J-101X	MG RESISTOR	100Ω 1/16W J
R293	NRSA63J-224X	MG RESISTOR	220kΩ 1/16W J	R709	NRSA63J-101X	MG RESISTOR	100Ω 1/16W J
R296	NRSA63J-101X	MG RESISTOR	100Ω 1/16W J	R718	NRSA63J-101X	MG RESISTOR	100Ω 1/16W J
R297	NRSA63J-101X	MG RESISTOR	100Ω 1/16W J	R721	NRSA63J-102X	MG RESISTOR	1kΩ 1/16W J
R298	NRSA63J-101X	MG RESISTOR	100Ω 1/16W J	R729	NRSA63J-223X	MG RESISTOR	22kΩ 1/16W J
R301	NRSA63J-222X	MG RESISTOR	2.2kΩ 1/16W J	R731	NRSA63J-101X	MG RESISTOR	100Ω 1/16W J
R302	NRSA63J-222X	MG RESISTOR	2.2kΩ 1/16W J	R732	NRSA63J-101X	MG RESISTOR	100Ω 1/16W J
R303	NRSA63J-222X	MG RESISTOR	2.2kΩ 1/16W J	R733	NRSA63J-472X	MG RESISTOR	4.7kΩ 1/16W J
R304	NRSA63J-101X	MG RESISTOR	100Ω 1/16W J	R734	NRSA63J-472X	MG RESISTOR	4.7kΩ 1/16W J
				R739	NRSA63J-272X	MG RESISTOR	2.7kΩ 1/16W J

△Ref No.	Part No.	Part Name	Description Local
R740	NRSA63J-103X	MG RESISTOR	10kΩ 1/16W J
R764	NRSA63J-221X	MG RESISTOR	220Ω 1/16W J
R765	NRSA63J-221X	MG RESISTOR	220Ω 1/16W J
R766	NRSA63J-221X	MG RESISTOR	220Ω 1/16W J
R767	NRSA63J-221X	MG RESISTOR	220Ω 1/16W J
R769	NRSA63J-682X	MG RESISTOR	6.8kΩ 1/16W J
R772	NRSA63J-103X	MG RESISTOR	10kΩ 1/16W J
R811	NRSA63J-101X	MG RESISTOR	100Ω 1/16W J
R816	NRSA63J-101X	MG RESISTOR	100Ω 1/16W J
R827	NRSA63J-102X	MG RESISTOR	1kΩ 1/16W J
R839	NRSA63J-225X	MG RESISTOR	2.2MΩ 1/16W J
R855	QRL029J-820	OMF RESISTOR	82Ω 2W J
R857	QRL029J-820	OMF RESISTOR	82Ω 2W J
R901	QRF074K-1R2	UNF WW RESISTOR	1.2Ω 7W K
R909	QRG01GJ-470	OMF RESISTOR	47Ω 1W J
R911	QRE121J-223Y	C RESISTOR	22kΩ 1/2W J
R912	QRT029J-R18	MF RESISTOR	0.18Ω 2W J
R913	QRT029J-R15	MF RESISTOR	0.15Ω 2W J
△R914	QRK126J-681X	UNF C RESISTOR	680Ω 1/2W J
△R915	QRK129J-6R8	UNF C RESISTOR	6.8Ω 1/2W J
△R917	QRK126J-332X	UNF C RESISTOR	3.3kΩ 1/2W J
R918	QRE121J-222Y	C RESISTOR	2.2kΩ 1/2W J
R919	QRE121J-684Y	C RESISTOR	680kΩ 1/2W J
R924	QRE121J-222Y	C RESISTOR	2.2kΩ 1/2W J
R930	QRE121J-223Y	C RESISTOR	22kΩ 1/2W J
R933	QRX01GJ-1R0	MF RESISTOR	1Ω 1W J
R940	QRE121J-181Y	C RESISTOR	180Ω 1/2W J
R941	QRL029J-183	OMF RESISTOR	18kΩ 2W J
R950	NRSA63J-0R0X	MG RESISTOR	0Ω 1/16W J
R951	NRSA63J-473X	MG RESISTOR	47kΩ 1/16W J
R952	NRSA63J-102X	MG RESISTOR	1kΩ 1/16W J
R953	QRE121J-820Y	C RESISTOR	82Ω 1/2W J
R972	NRVA02D-102X	CMF RESISTOR	1kΩ 1/10W D
R973	NRVA02D-332X	CMF RESISTOR	3.3kΩ 1/10W D
R975	QRE121J-223Y	C RESISTOR	22kΩ 1/2W J
R977	QRE121J-473Y	C RESISTOR	47kΩ 1/2W J
R978	NRSA63J-333X	MG RESISTOR	33kΩ 1/16W J
△R998	QRZ9041-275	C RESISTOR	2.7MΩ 1/2W K
R999	QRE121J-121Y	C RESISTOR	120Ω 1/2W J
L001	QQL244K-220Z	PEAKING COIL	22uH K
L232	QQL244K-560Z	PEAKING COIL	56uH K
L241	QQL244K-220Z	PEAKING COIL	22uH K
L391	QQL244K-220Z	PEAKING COIL	22uH K
L511	QQR1165-001	LINEARITY COIL	
L512	QQLZ036-821	COIL	820uH K
L521	QQLZ026-860	COIL	86uH ±7%
L701	QQL244K-220Z	PEAKING COIL	22uH K
L702	QQL244K-220Z	PEAKING COIL	22uH K
L703	QQL244K-220Z	PEAKING COIL	22uH K
L704	QQL244K-220Z	PEAKING COIL	22uH K
L705	QQL244K-220Z	PEAKING COIL	22uH K
L931	QQL26AK-470Z	CHOKE COIL	47uH K
L933	QQL26AK-470Z	CHOKE COIL	47uH K
L937	QQL26AK-470Z	CHOKE COIL	47uH K
L940	QQR0582-001Z	FERRITE BEADS	
T501	QQR1414-001	DRIVE TRANSF	
△T921	QQS0152-001	SW TRANSF	
△T951	QQT0355-001	POWER TRANSF	
CN001	QGB1505J1-35	CONNECTOR	B-B (1-35)
CN0E1	CE41507-001P	LV CONNECTOR	
CN0E3	CE41507-001P	LV CONNECTOR	
CN0HV	QGZ5004C1-06	CONNECTOR	(1-6)
△CN0PW	QMPD390-200-JS	POWER CORD(US/CA)	2m BLACK
△CP936	ICP-N70-T	IC PROTECTOR	2.5A
△F901	QMF51N1-5R0-J5	FUSE	5A AC125V
△FR525	QRZ9017-4R7	FUSI RESISTOR	4.7Ω 1/4W J
J601	QNN0349-002	PIN JACK	COMPONENT IN
K401	QQR0621-002Z	FERRITE BEADS	
K912	QQR0582-001Z	FERRITE BEADS	
K916	QQR0582-001Z	FERRITE BEADS	
K917	QQR0582-001Z	FERRITE BEADS	
K918	QQR0582-001Z	FERRITE BEADS	
K920	QQR1139-001	FERRITE BEADS	
K931	QQR0582-001Z	FERRITE BEADS	
K932	QQR0582-001Z	FERRITE BEADS	
K933	QQR0582-001Z	FERRITE BEADS	
K935	QQR0582-001Z	FERRITE BEADS	
K937	QQR0582-001Z	FERRITE BEADS	
LC601	QQR1199-001	EMI FILTER	
LC602	QQR1199-001	EMI FILTER	
LC603	QQR1199-001	EMI FILTER	
△LF901	QQR0527-003	LINE FILTER	
△LF902	QQR0527-003	LINE FILTER	
△RY951	QSK0085-001	RELAY	
S421	QSL4A13-C02	LEVER SWITCH	V.CENTER

△Ref No.	Part No.	Part Name	Description Local
△TH901	QAD0132-3R0	P THERMISTOR	3Ω
△TU001	QAU0352-002	TUNER	
△VA901	ERZV10V621CS	ZNR	
X701	QAX0767-001Z	CRYSTAL	8MHz

### CRT SOCKET P.W. BOARD ASS'Y (SGJ-3522A-M2)

△Ref No.	Part No.	Part Name	Description Local
Q3103	2SC3928A/QR/-X	TRANSISTOR	
Q3107	2SA2005/DE/	POW TRANSISTOR	
Q3108	2SC5511/DE/	POW TRANSISTOR	
Q3109	2SC3928A/QR/-X	TRANSISTOR	
Q3304	2SC4544-LB	POW TRANSISTOR	
Q3305	2SC4544-LB	POW TRANSISTOR	
Q3306	2SC4544-LB	POW TRANSISTOR	
Q3351	2SA1530A/QR/-X	TRANSISTOR	
D3105	RH1S-T3	SI DIODE	
D3106	RH1S-T3	SI DIODE	
D3331	1SS133-T2	SI DIODE	
D3351	1SS133-T2	SI DIODE	
D3352	1SS133-T2	SI DIODE	
D3353	1SS133-T2	SI DIODE	
D3354	1SS133-T2	SI DIODE	
C3101	QETN1HM-106Z	E CAPACITOR	10uF 50V M
C3113	QETN2CM-106Z	E CAPACITOR	10uF 160V M
C3114	QCB32HK-472Z	C CAPACITOR	4700pF 500V K
C3115	QCB32HK-472Z	C CAPACITOR	4700pF 500V K
C3117	QETN2CM-106Z	E CAPACITOR	10uF 160V M
C3118	QETN0JM-107Z	E CAPACITOR	100uF 6.3V M
C3119	QETN1AM-107Z	E CAPACITOR	100uF 10V M
C3120	QETN1AM-337Z	E CAPACITOR	330uF 10V M
C3121	QCS32HJ-151Z	C CAPACITOR	150pF 500V J
C3127	NDC31HJ-471X	C CAPACITOR	470pF 50V J
C3301	NDC31HJ-561X	C CAPACITOR	560pF 50V J
C3302	NDC31HJ-391X	C CAPACITOR	390pF 50V J
C3303	NDC31HJ-561X	C CAPACITOR	560pF 50V J
C3323	QETN1CM-477Z	E CAPACITOR	470uF 16V M
C3331	NDC31HJ-181X	C CAPACITOR	180pF 50V J
C3332	NDC31HJ-181X	C CAPACITOR	180pF 50V J
C3333	NDC31HJ-181X	C CAPACITOR	180pF 50V J
C3351	QETN1CM-227Z	E CAPACITOR	220uF 16V M
C3363	QCZ0121-102	C CAPACITOR	1000pF 3KV Z
R3115	NRSA63J-470X	MG RESISTOR	47Ω 1/16W J
R3116	NRSA63J-470X	MG RESISTOR	47Ω 1/16W J
R3122	QRT029J-R15	MF RESISTOR	0.15Ω 2W J
R3123	NRSA63J-122X	MG RESISTOR	1.2kΩ 1/16W J
R3124	NRSA63J-820X	MG RESISTOR	82Ω 1/16W J
R3125	NRSA63J-100X	MG RESISTOR	10Ω 1/16W J
R3126	NRSA63J-563X	MG RESISTOR	56kΩ 1/16W J
R3127	NRSA63J-563X	MG RESISTOR	56kΩ 1/16W J
R3128	NRSA63J-122X	MG RESISTOR	1.2kΩ 1/16W J
R3129	NRSA63J-100X	MG RESISTOR	10Ω 1/16W J
R3130	NRSA63J-820X	MG RESISTOR	82Ω 1/16W J
R3131	NRSA63J-331X	MG RESISTOR	330Ω 1/16W J
R3132	QRL029J-391	OMF RESISTOR	390Ω 2W J
R3134	NRSA63J-222X	MG RESISTOR	2.2kΩ 1/16W J
R3136	NRSA63J-392X	MG RESISTOR	3.9kΩ 1/16W J
R3139	NRSA63J-331X	MG RESISTOR	330Ω 1/16W J
R3142	NRSA63J-123X	MG RESISTOR	12kΩ 1/16W J
R3143	NRSA63J-122X	MG RESISTOR	1.2kΩ 1/16W J
R3144	NRSA63J-101X	MG RESISTOR	100Ω 1/16W J
R3145	NRSA63J-100X	MG RESISTOR	10Ω 1/16W J
R3146	NRSA63J-100X	MG RESISTOR	10Ω 1/16W J
R3148	NRSA63J-101X	MG RESISTOR	100Ω 1/16W J
R3301	NRSA63J-151X	MG RESISTOR	150Ω 1/16W J
R3302	NRSA63J-151X	MG RESISTOR	150Ω 1/16W J
R3303	NRSA63J-151X	MG RESISTOR	150Ω 1/16W J
R3304	NRSA63J-151X	MG RESISTOR	150Ω 1/16W J
R3305	NRSA63J-151X	MG RESISTOR	150Ω 1/16W J
R3306	NRSA63J-151X	MG RESISTOR	150Ω 1/16W J
R3307	NRSA63J-470X	MG RESISTOR	47Ω 1/16W J
R3308	NRSA63J-470X	MG RESISTOR	47Ω 1/16W J
R3309	NRSA63J-470X	MG RESISTOR	47Ω 1/16W J
R3310	QRL029J-183	OMF RESISTOR	18kΩ 2W J
R3311	QRL029J-183	OMF RESISTOR	18kΩ 2W J
R3312	QRL029J-183	OMF RESISTOR	18kΩ 2W J
R3313	QRL029J-223	OMF RESISTOR	22kΩ 2W J
R3314	QRL029J-223	OMF RESISTOR	22kΩ 2W J
R3315	QRL029J-223	OMF RESISTOR	22kΩ 2W J

△Ref No.	Part No.	Part Name	Description Local
R3325	QRZ0107-102Z	C RESISTOR	1kΩ 1/2W K
R3326	QRZ0107-102Z	C RESISTOR	1kΩ 1/2W K
R3327	QRZ0107-102Z	C RESISTOR	1kΩ 1/2W K
R3331	NRSA63J-222X	MG RESISTOR	2.2kΩ 1/16W J
R3332	NRSA63J-222X	MG RESISTOR	2.2kΩ 1/16W J
R3333	NRSA63J-222X	MG RESISTOR	2.2kΩ 1/16W J
R3334	NRSA63J-182X	MG RESISTOR	1.8kΩ 1/16W J
R3335	NRSA63J-391X	MG RESISTOR	390Ω 1/16W J
R3351	NRSA63J-151X	MG RESISTOR	150Ω 1/16W J
R3354	NRSA63J-561X	MG RESISTOR	560Ω 1/16W J
R3355	NRSA63J-103X	MG RESISTOR	10kΩ 1/16W J
L3304	QQL244K-470Z	PEAKING COIL	47uH K
CN3004	QJB003-074022	SIN ID C-B WIRE	
CN3005	WJA0029-002A	E-SI ID WIRE	
CN30E2	QUB130-46A6AS	SIN TWIST WIRE	
CN30E4	QUB130-46A6AS	SIN TWIST WIRE	
K3104	QQR1114-001Z	FERRITE BEADS	
K3105	QQR1114-001Z	FERRITE BEADS	
△SK3001	QNZ0536-001	CRT SOCKET	

### **AV SELECTOR P.W. BOARD ASS'Y (SGJ-5521A-M2)**

REFER TO PARTS LIST IN PAGE 3-9 FOR THIS P.W. BOARD.

### **FRONT CONTROL P.W. BOARD ASS'Y (SGJ-6521A-M2)**

REFER TO PARTS LIST IN PAGE 3-10 FOR THIS P.W. BOARD.

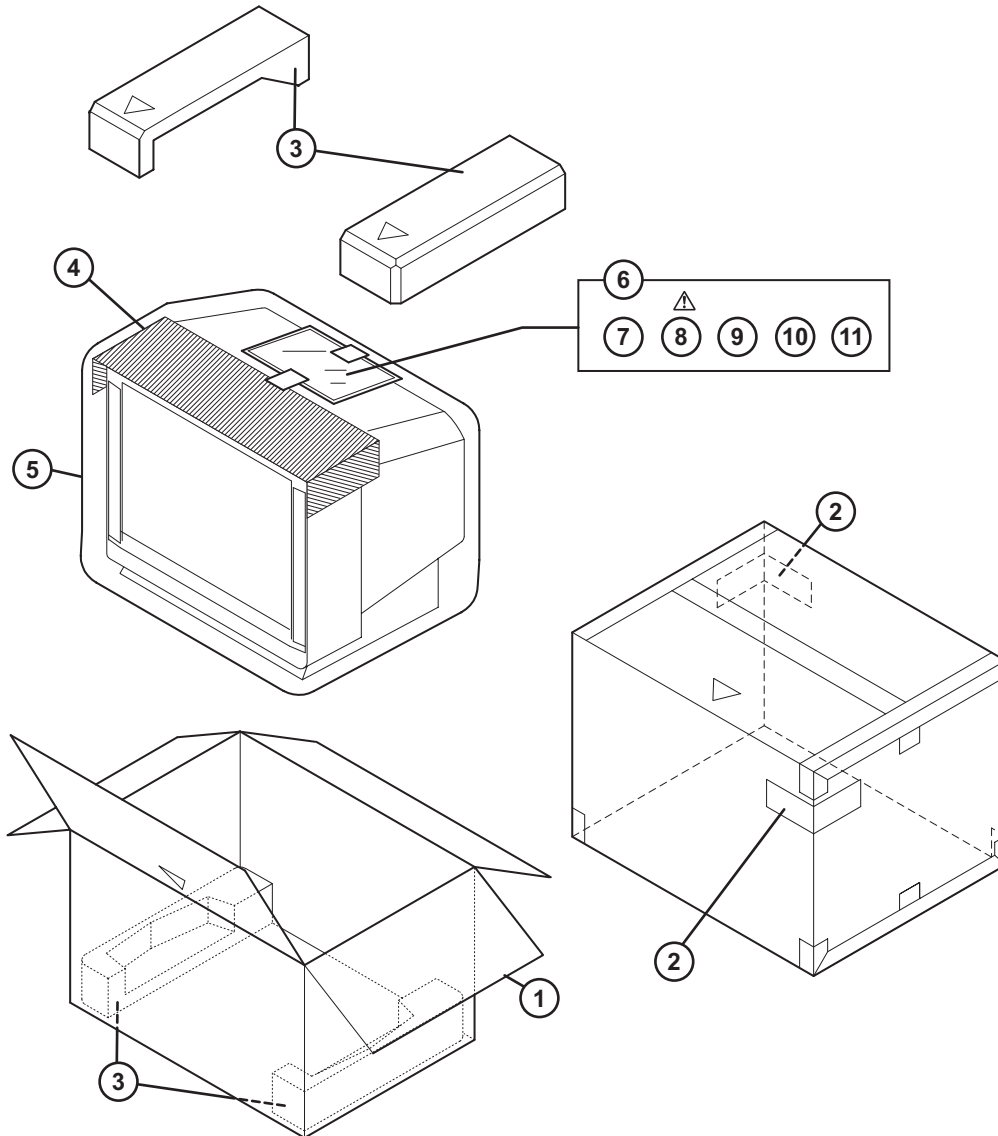
### **LED & POWER SW P.W. BOARD ASS'Y (SGJ-7521A-M2)**

REFER TO PARTS LIST IN PAGE 3-10 FOR THIS P.W. BOARD.

# REMOTE CONTROL UNIT PARTS LIST (RM-C1258G-1H)

△ Ref No.	Part No.	Part Name	Description	Local
	UR77EC0603B	BATTERY COVER		

## PACKING



## PACKING PARTS LIST

△ Ref.No.	Part No.	Part Name	Description	Local
1	LC10181-032A-A	PACKING CASE		AV-27F476/R,AV-27F476/S
1	LC10181-033B-A	PACKING CASE		AV-32F476/Y,AV-32F476/Z
2	CM36616-001-A	CORNER LABEL	2pcs in 1set	
3	LC11575-002C-A	CUSHION	4pcs in 1set	AV-27F476/R,AV-27F476/S
3	LC11560-002F-A	CUSHION	4pcs in 1set	AV-32F476/Y,AV-32F476/Z
4	CP30055-A02-A	TOP COVER		
5	CP30056-A04-A	POLY BAG		
6	QPA02503505	POLY BAG	25cm x 35cm	
7	RM-C1258G-1H	REMOCON		
△ 8	LCT1785-001A-A	INST BOOK	English/French	
9	BT-51034-2Q	REGIST. CARD		
10	-----	WARRANTY CARD	BT-52006-2Q	
11	-----	BATTERY	R6P/AA(x2)	