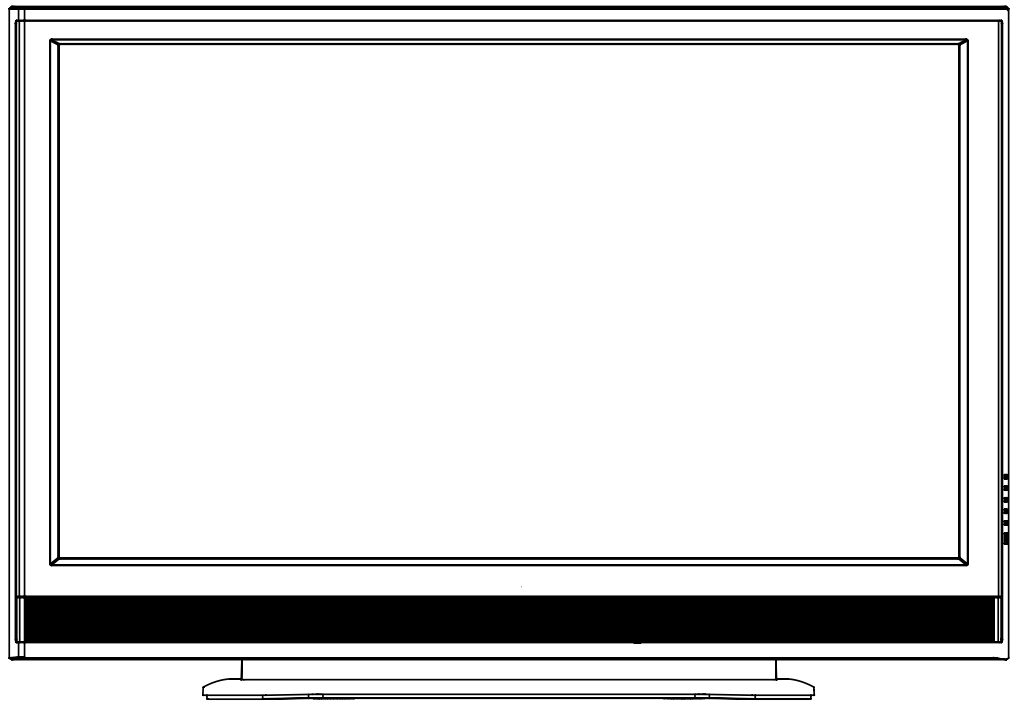


TOSHIBA

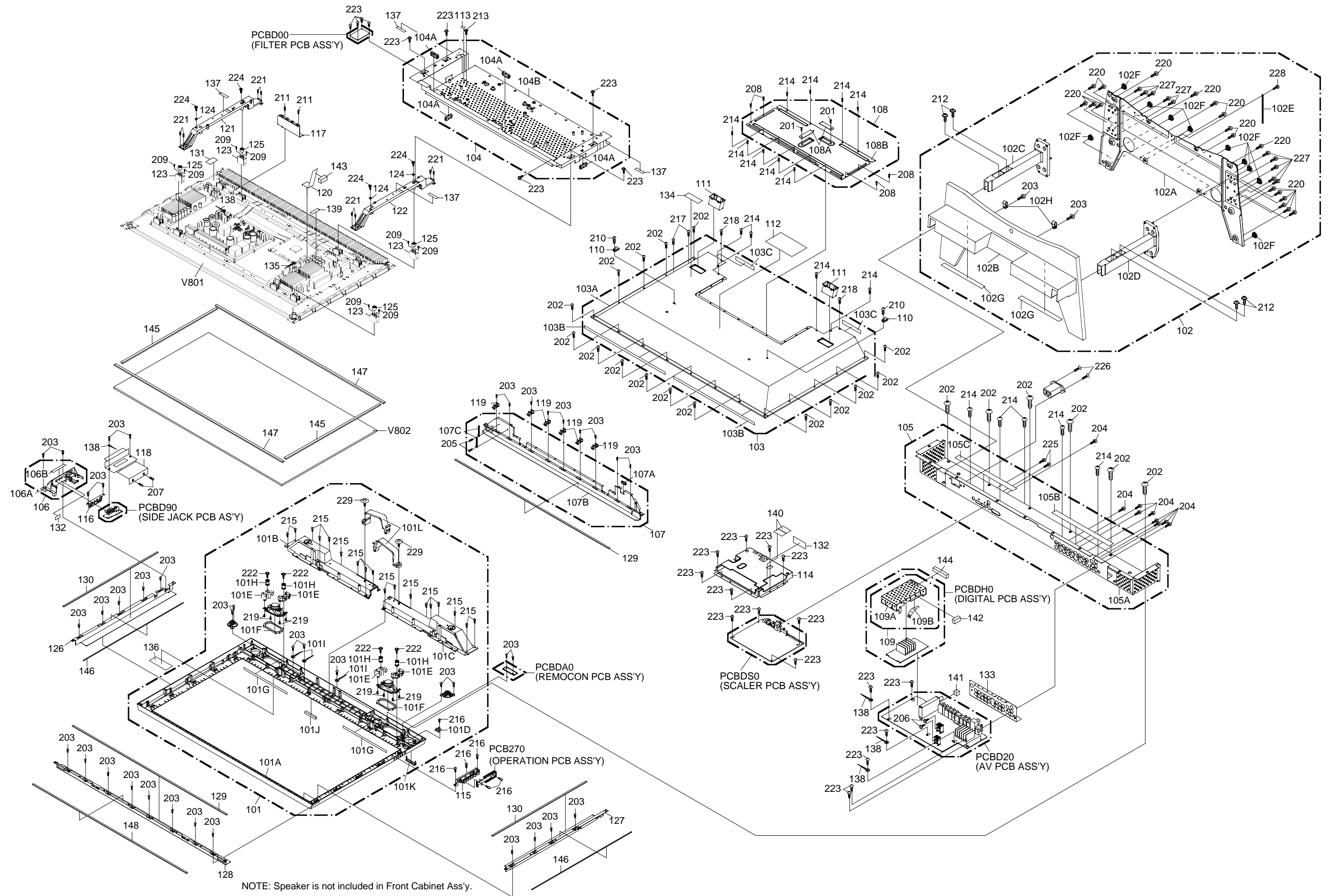
PARTS AND EXPLODED VIEWS

50" DIGITAL PLASMA COLOR TELEVISION

50HP66

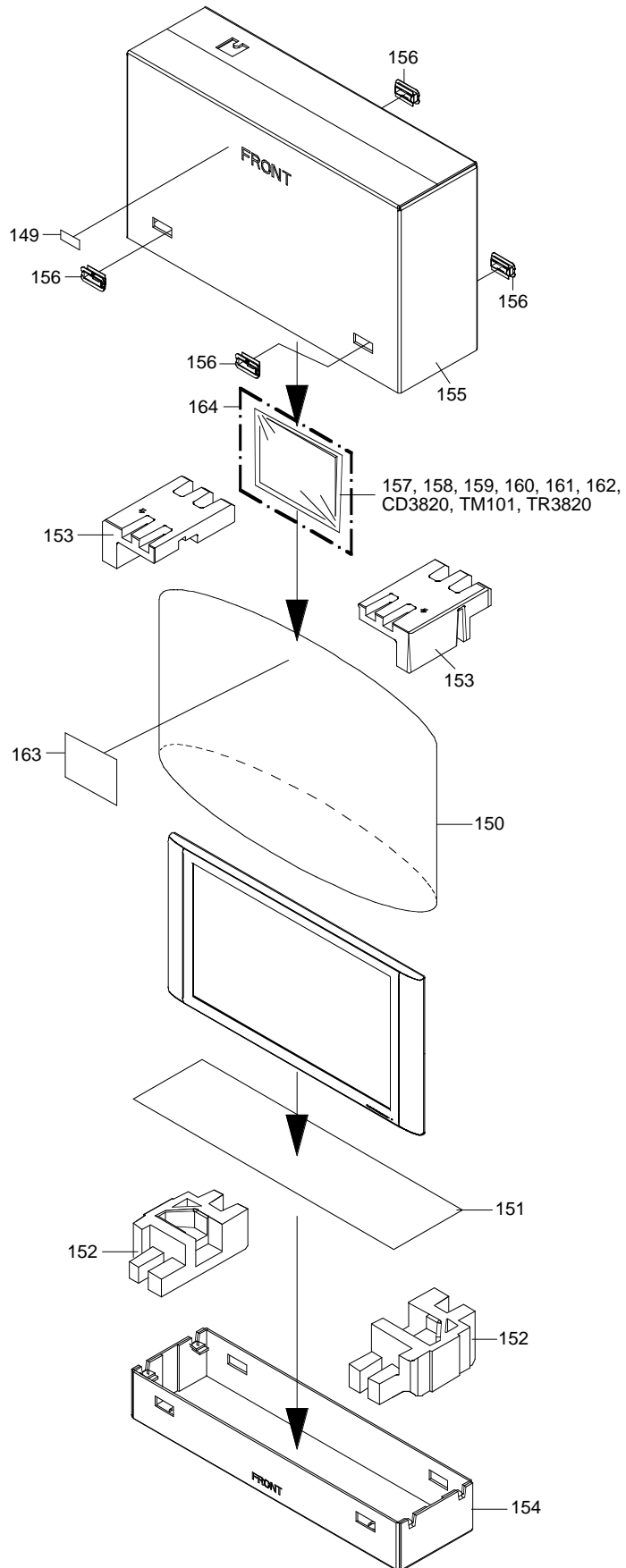


MECHANICAL EXPLODED VIEW



NOTE: Speaker is not included in Front Cabinet Ass'y.

MECHANICAL EXPLODED VIEW (PACKING DIAGRAM)



MECHANICAL REPLACEMENT PARTS LIST

Location No.	TSB P/N	Reference No.	Description
101	72783961	7A7010200A	FRONT CABI ASS'Y
101A	72783962	701WPJ1421	CABINET,FRONT
101B	72784168	702WPA1252	COVER,SPEAKER (L)
101C	72784169	702WPA1253	COVER,SPEAKER (R)
101D	72783966	713WPA0386	GLASS,LED
101E	72783968	761WPA0431	HOLDER,SPEAKER
101F	72784208	800WF00065	CUSHION
101G	75002702	800WQ00107	FELT SHEET 9*390*T1.0
101H	72794733	801WR00001	DAMPER SPEAKER
101I	72795699	899EFBA002	WIRING-CLIP
101J	72783967	7235490077	BADGE,BRAND
101K	72783965	711WPA0254	PLATE,REMOCON
101L	72783969	774WPA0009	HOLDER CORD
102	72783970	7A7040012A	STAND ASS'Y
102A	72783975	7G7610058A	ANGLE STAND ASS'Y
102B	72783971	704WPB0017	STAND
102C	72784187	761WEB0010	FRAME,BOTTOM-L
102D	72784188	761WEB0011	FRAME,BOTTOM-R
102E	72781991	89982E42A0	BAND
102F	72783974	800WRA0008	CUSHION,LEG
102G	72795625	800WQ0A041	FELT SHEET
102H	72781311	899000NK4N	CABLE CLAMPS
103	72783979	7A7020076A	BACK CABI ASS'Y
103A	72783980	702WSB0129	CABINET,BACK
103B	72783981	800WQ00115	FELT SHEET
103C	72784212	800WQ0A129	FELT SHEET
104	72784203	7G7520032B	ANGLE PCB ASS'Y
104A	72783992	709WPA0043	HOLDER,CORD
104B	72784194	762WSAA015	ANGLE PCB
105	72783987	7G7610045A	PLATE,JACK ASS'Y
105A	72783990	761WSB0029	PLATE,JACK
105B	72783988	7230008097	SHEET,JACK-1
105C	72783989	7230008140	SHEET,JACK-2
106	72783984	7A7010192A	PLATE,JACK-SIDE ASS'Y
106A	72783985	711WPA0256	PLATE,JACK-SIDE
106B	72783986	7230008098	SHEET,JACK(SIDE)
107	72783991	7G752A007A	SHIELD,MAIN-BOTTOM ASS'Y
107A	72783992	709WPA0043	HOLDER,CORD
107B	72783993	762WSA0088	SHIELD,MAIN-BOTTOM
107C	72795680	8995034000	CORD CLIP UL CO.
108	72783976	7G7610043A	COVER,BACK ASS'Y
108A	72783978	702WPA1218	COVER,CONNECTOR
108B	72783977	761WSB0028	COVER,BACK
109	72784205	7G7520041B	SHIELD DIGITAL ASS'Y
109A	72783994	752WSA0555	SHIELD DIGITAL
109B	72795677	753WUAA006	SPRING EARTH H/AMP
110	72784018	899ML02111	CABLE,CLAMP
111	72784172	705WPA0020	HANDLE BACK
112	72783998	7225490233	SHEET,RATING
113	72784001	7260000353	SHEET EARTH MARK
114	72784179	752WSA0565	SHIELD SCALER
115	72784002	738WPB0077	BUTTON,FRAME
116	72784003	752WSA0554	SHIELD,JACK-SIDE
117	72784180	752WSA0593	SHIELD,PLATE
118	72784182	753WEAA003	SHEET CU
119	72784183	753WUAA0082	SPRING,EARTH

MECHANICAL REPLACEMENT PARTS LIST

Location No.	TSB P/N	Reference No.	Description
120	72784185	753WUA0084	SPRING EARTH
121	72784004	761WEA0012	FRAME,MAIN-L
122	72784005	761WEA0013	FRAME,MAIN-R
123	72784006	761WEA0014	HOLDER,PANEL
124	72784007	761WPA0427	HOLDER,BUSH
125	72784008	761WPA0428	HOLDER,CAP
126	72784009	762WSA0085	SHIELD,MAIN-L
127	72784010	762WSA0086	SHIELD,MAIN-R
128	72784011	762WSA0087	SHIELD,MAIN-TOP
129	72784012	800WFA0088	CUSHION
130	72784013	800WFA0089	CUSHION
131	72781302	890MP2401A	TAPE 50*35
132	72784221	890MP2401G	TAPE 30X12
133	72783997	752WSA0587	SHIELD,JACK
134	72784176	7250000606	SHEET CAUTION
135	72795680	8995034000	CORD CLIP UL CO.
136	72783999	7230008104	POP LABEL
137	72795888	800WFAA008	CUSHION C
138	72795699	899EFBA002	WIRING-CLIP
139	72784177	7250000607	SHEET PE
140	72784220	890201FR50	TAPE 100*50
141	72798807	8965TS1010	CUSHION 65TS10-10(10*10*25)
142	72781978	8965TS1017	CUSHION 65TS10-10(17.5*20*14)
143	72784223	8965TS1030	CUSHION W10/H10/L30
144	72784224	8965TS2095	CUSHION W6/H2/L95
145	72784016	8965TS2680	CUSHION W6/H2/L680
146	72784017	8965TS2730	CUSHION W6/H2/L730
147	72784014	8965TS2B70	CUSHION W6/H2/L1170
148	72784015	8965TS2C15	CUSHION W6/H2/L1215
149	72784019	7230008103	SHEET,BARCODE
150	72784020	791WHA0117	LAMI BAG
151	72784021	791WHA0118	LIGHTRON SHEET
152	72784023	792WHA0650	PACKAGE,BOTTOM
153	72784197	792WHA0679	PACKAGE TOP
154	72784024	793WCA0019	GIFT,BOX BOTTOM
155	72784025	793WCD1739	GIFT,BOX TOP
156	72784026	794WHAA003	HANDLE
157	72781569	J3N51617A	REGISTRATION CARD
158	72784236	J3X70101B	INSTRUCTION BOOK(E)
159	72784237	J3X70110B	INSTRUCTION BOOK(F)
160	72784238	J3X70111B	INSTRUCTION BOOK(S)
161	72784239	J3X70199A	INFORMATION SHEET(CHANNEL)
162	72784240	JA4ND500	POLYBAG,INSTRUCTION(RED CAUTION)
163	72784178	7290000174	SHEET,PICTURE SHIFT
164	72784027	A3X701B975	INSTRUCTION BOOK KIT
201	72784033	810763080S	SCREW,TAP TITE(S) BRAZIER 3*8 BK
202	72784031	8117540A6S	SCREW,TAP TITE(B0) TRUSS 4*16 BK
203	72798791	8110630A0U	SCREW TAP TITE(P) BRAZIER 3*10 CH
204	72784034	810923080S	SCREW TAP TITE(B) BIND 3*8 BK
205	72798787	810923080U	SCREW TAP TITE(B) BIND 3*8 CH
206	72781255	8109I3080U	SCREW TAP TITE(B) WH7 3*8 CH
207	72798789	8109I30A0U	SCREW TAP TITE(B) WH7 3*10 CH
208	72784214	810273060S	SCREW,PLANE-R M3*6 BK
209	72784216	810A140A6U	SCREW WASHER(A) M4*16 CH

MECHANICAL REPLACEMENT PARTS LIST

Location No.	TSB P/N	Reference No.	Description
210	72784038	810B150A0S	SCREW,SEMS(B) 5*10 BK
211	72784217	810B140A0U	SCREW SEMS(B) 4*10 CH
212	72784039	810B150B0S	SCREW,SEMS(B) 5*20 BK
213	72784035	810C14080U	SCREW WASHER C 4*8 CH TOOTHED
214	72784041	810F23060S	SEMS(F)-R BIND 3*6 BK
215	72784042	8110230A4S	SCREW TAP TITE(P) BIND 3*14 BK
216	72798790	811063080U	SCREW TAP TITE(P) BRAZIER 3*8 CH
217	72784043	8110630A0S	SCREW TAP TITE(P) BRAZIER 3*10 BK
218	72784044	8110E3080S	SCREW,TAP TITE(P) WH10 3*8 BK
219	72781276	8117140A2U	SCREW,TAPPING(B0) PAN 4*12 CH
220	72781277	8117540A0U	SCREW TAP TITE(B0) TRUSS 4*10 CH
221	72798795	8117540B0U	SCREW TAP TITE(B0) TRUSS 4*20 CH
222	72781295	8162540A6U	SCREW TAPPING (B0) WASHER 18
223	72784036	810B13080U	SCREW WASHER(B) M3*8 CH
224	72784218	8167150B0U	SCREW WASHER(B) 5*20 CH
225	72784032	810213080S	SCREW PAN M3*8 BK
226	72784040	810233080S	SCREW,FLAT M3*8 BK
227	72784215	810A140A4U	SCREW WASHER(A) M4*14 CH
228	72781977	814623080U	SCREW TAP TITE(B) BIND 3*5.7+4*2.3 CH
229	72781292	8159130A0S	SCREW,TAPPING(B) WASHER12 PAN 3*10 BLACK

ELECTRICAL REPLACEMENT PARTS LIST

Location No.	TSB P/N	Reference No.	Description	
			RESISTORS	
R3849	72794621	R3X28B010J	R,METAL OXIDE	1 OHM 3W
			CAPACITORS	
C3801	72784045	E61FF2102D	CE	1000 UF 16V
C3802	72784045	E61FF2102D	CE	1000 UF 16V
C3803	72784045	E61FF2102D	CE	1000 UF 16V
C3823	72781395	E61FF4102D	CE	1000 UF 35V
C3825	72784046	E61FF3821D	CE	820 UF 25V
C3826	72784046	E61FF3821D	CE	820 UF 25V
C5846	72784235	COJ7SL4N1J	CC	39 PF 50V SL
			DIODES	
D105	72781371	DD7R20S300	DIODE,SCHOTTKY BARRIER	RB520S-30-TE61
D109	72781371	DD7R20S300	DIODE,SCHOTTKY BARRIER	RB520S-30-TE61
D302	72797300	D28R1QS040	DIODE	EC31QS04-TE12L
D303	72797300	D28R1QS040	DIODE	EC31QS04-TE12L
D304	72797300	D28R1QS040	DIODE	EC31QS04-TE12L
D305	72797300	D28R1QS040	DIODE	EC31QS04-TE12L
D306	72781371	DD7R20S300	DIODE,SCHOTTKY BARRIER	RB520S-30-TE61
D802	72781375	DE7RB5R62B	DIODE,ZENER	UDZS5.6B TE-17
D803	72781375	DE7RB5R62B	DIODE,ZENER	UDZS5.6B TE-17
D805	72781375	DE7RB5R62B	DIODE,ZENER	UDZS5.6B TE-17
D807	72795897	DD7R0S3550	DIODE,SILICON	1SS355 TE-17
D808	72795897	DD7R0S3550	DIODE,SILICON	1SS355 TE-17
D901	72783214	D9WU05R62B	DIODE,ZENER	MTZJ5.6B-EIC
D2251	72794467	0021E9Q010	LED	LTL-1BEFJ-002A
D2252	72794491	D1VT001330	DIODE,SILICON	1SS133T-77
D2275	72795897	DD7R0S3550	DIODE,SILICON	1SS355 TE-17
D3206	72797300	D28R1QS040	DIODE	EC31QS04-TE12L
D3207	72797300	D28R1QS040	DIODE	EC31QS04-TE12L
D3208	72797300	D28R1QS040	DIODE	EC31QS04-TE12L
D3209	72797300	D28R1QS040	DIODE	EC31QS04-TE12L
D3212	72797300	D28R1QS040	DIODE	EC31QS04-TE12L
D3402	72797300	D28R1QS040	DIODE	EC31QS04-TE12L
D3403	72783762	D28R11FS20	DIODE	EC11FS2-TE12L
D3404	72783762	D28R11FS20	DIODE	EC11FS2-TE12L
D3405	72797300	D28R1QS040	DIODE	EC31QS04-TE12L
D3406	72797300	D28R1QS040	DIODE	EC31QS04-TE12L
D3407	72781371	DD7R20S300	DIODE,SCHOTTKY BARRIER	RB520S-30-TE61
D3408	72783763	D27RX301L0	DIODE,SCHOTTKY	RSX301L-30TE25
D3600	72781372	DD7R60L400	DIODE,SCHOTTKY	RB160L-40-TE25
D3601	72781361	D77R1A1R10	DIODE,VARISTA	AVRL161A1R1NT
D3602	72781375	DE7RB5R62B	DIODE,ZENER	UDZS5.6B TE-17
D3603	72781361	D77R1A1R10	DIODE,VARISTA	AVRL161A1R1NT
D3604	72781372	DD7R60L400	DIODE,SCHOTTKY	RB160L-40-TE25
D3605	72781372	DD7R60L400	DIODE,SCHOTTKY	RB160L-40-TE25
D3609	72781374	DE7RB3R32B	DIODE,ZENER	UDZS3.3B TE-17
D3613	72781374	DE7RB3R32B	DIODE,ZENER	UDZS3.3B TE-17
D3626	72781361	D77R1A1R10	DIODE,VARISTA	AVRL161A1R1NT
D3627	72781361	D77R1A1R10	DIODE,VARISTA	AVRL161A1R1NT
D3628	72797300	D28R1QS040	DIODE	EC31QS04-TE12L
D3629	72797300	D28R1QS040	DIODE	EC31QS04-TE12L
D3630	72781375	DE7RB5R62B	DIODE,ZENER	UDZS5.6B TE-17
D3803	72781352	D23A0010J0	DIODE,SCHOTTKY	SBR100-10J-CBC11
D3804	72783759	D4AT01H3E0	DIODE,RECTIFIER	1H3-E
D3805	72783759	D4AT01H3E0	DIODE,RECTIFIER	1H3-E
D3806	72797300	D28R1QS040	DIODE	EC31QS04-TE12L
D3807	72797300	D28R1QS040	DIODE	EC31QS04-TE12L
D3808	72797300	D28R1QS040	DIODE	EC31QS04-TE12L
D3809	72797300	D28R1QS040	DIODE	EC31QS04-TE12L
D3811	72797300	D28R1QS040	DIODE	EC31QS04-TE12L
D3812	72797300	D28R1QS040	DIODE	EC31QS04-TE12L
△D3900	72784073	D6C047110A	DIODE,VARISTA	ENE471D-10A
△D3901	72795544	D6E027110A	DIODE,VARISTA	ENE271D-10A
△D3902	72794484	DOU002720M	DIODE,VARISTA	DSS-272M-S00B
D4202	72784074	DE7RB1202B	DIODE,ZENER	UDZS12B TE-177
D4203	72784074	DE7RB1202B	DIODE,ZENER	UDZS12B TE-177
D4205	72781369	D9WU06R82B	DIODE,ZENER	MTZJ6.8B-EIC
D4206	72783414	D9WU08R22B	DIODE,ZENER	MTZJ8.2B-EIC
D4207	72783414	D9WU08R22B	DIODE,ZENER	MTZJ8.2B-EIC
D4208	72784074	DE7RB1202B	DIODE,ZENER	UDZS12B TE-177
D4209	72794491	D1VT001330	DIODE,SILICON	1SS133T-77
D4210	72784074	DE7RB1202B	DIODE,ZENER	UDZS12B TE-177
D4211	72784074	DE7RB1202B	DIODE,ZENER	UDZS12B TE-177
D4212	72784074	DE7RB1202B	DIODE,ZENER	UDZS12B TE-177
D4301	72781375	DE7RB5R62B	DIODE,ZENER	UDZS5.6B TE-17
D4302	72781375	DE7RB5R62B	DIODE,ZENER	UDZS5.6B TE-17

ELECTRICAL REPLACEMENT PARTS LIST

Location No.	TSB P/N	Reference No.	Description	ICs
IC101	72784076	S3X801CM01	MEMORY DATA	OEC7147A
IC102	72795101	I9UF032290	IC	PST3229NR
IC103	72781506	ICR.J0256N0	IC	AT24C256N-10SU-2.7
IC104	72781506	ICR.J0256N0	IC	AT24C256N-10SU-2.7
△IC301	72781462	I1MFPA2020	IC	TA2024-ASE
IC801	72784084	I56K07A720	IC	R8J66607A72FP
IC904	72781455	I19FF4440G	IC	MSP4440G-QA-C13-100
IC2101	72781516	IFSK0883C0	IC	MST9883C-LF-110
IC2275	72797569	I0QF0580V0	IC	NJM4580V(Te1)
IC2401	72783775	IFNME240H0	IC	X240H(215H48AGA21HG)
IC2402	72783776	ICLJ022ET5	IC	HY5DU561622ETP-D43
IC2403	72783776	ICLJ022ET5	IC	HY5DU561622ETP-D43
IC2404	72783777	I57F04L640	IC	BR24L64F-WE2
IC2405	72781496	I97F052290	IC	BD5229G-TR
IC2406	72784077	S3X801CF01	MEMORY DATA	HY27US08281A-TPCB
△IC3201	72781440	I07F0C0WF0	IC	BA00BC0WFP-E2
△IC3202	72783780	I07F078200	IC	BD7820FP-E2
△IC3203	72783780	I07F078200	IC	BD7820FP-E2
IC3401	72783779	I1LF010420	IC	AL1042
△IC3402	72781440	I07F0C0WF0	IC	BA00BC0WFP-E2
△IC3403	72783780	I07F078200	IC	BD7820FP-E2
△IC3404	72783781	I07F00HFP0	IC	BA7810HFP-TR
IC3601	72783780	I07F078200	IC	BD7820FP-E2
IC3602	72781440	I07F0C0WF0	IC	BA00BC0WFP-E2
IC3605	72784078	IG1F090210	IC	SII9021CTU
IC3606	72796085	I57J0L02F0	IC	BR24L02F-WE2
IC3608	72784079	I57J0L32F0	IC	BR24L32F-WE2
IC3609	72796085	I57J0L02F0	IC	BR24L02F-WE2
IC3611	72784080	ICMF0T89E0	IC	SST89E58RD2-40-C-TQJE
IC3803	72781439	I07F093000	IC	BD9300FV-E2
△IC3804	72781444	I0GA9XF010	IC	PQ070XF01SZH
IC3805	72797534	I03D979950	IC	LA7995M-TLM
△IC3808	72784081	I07A078100	IC	BA7810T-V5
IC4201	72794501	I01F05853B	IC	AN15853B-E1
IC4204	72797567	I0QF025840	IC	NJM2584AM(Te1)
IC4304	72795918	I0QF02534V	IC	NJM2534V(Te2)
IC4305	72795918	I0QF02534V	IC	NJM2534V(Te2)
IC4401	72797567	I0QF025840	IC	NJM2584AM(Te1)
IC4402	72794502	I0UF015010	IC	MM1501XNRE
IC5801	72783369	I55J07W660	IC	TC7W66FU(Te12L,F)
IC7202	72784082	IF8F0385A0	IC	ICSV385AGLFT
IC7501	72784083	IF8K010000	IC	DV1000-75
IC8103	72794502	I0UF015010	IC	MM1501XNRE
IC8104	72797567	I0QF025840	IC	NJM2584AM(Te1)
TRANSISTORS				
Q101	72794567	TNAAC05002	COMPOUND TRANSISTOR	KRC103SRTK
Q104	72783825	T2AA5132E0	FET	KTK5132E-RTK/P
Q105	72798367	TPAAC05002	COMPOUND TRANSISTOR	KRA103SRTK
Q106	72783825	T2AA5132E0	FET	KTK5132E-RTK/P
Q300	72794571	TCAA3875SY	TRANSISTOR,SILICON	KTC3875S_Y_RTK
Q301	72794571	TCAA3875SY	TRANSISTOR,SILICON	KTC3875S_Y_RTK
Q302	72794571	TCAA3875SY	TRANSISTOR,SILICON	KTC3875S_Y_RTK
Q901	72794571	TCAA3875SY	TRANSISTOR,SILICON	KTC3875S_Y_RTK
Q902	72794571	TCAA3875SY	TRANSISTOR,SILICON	KTC3875S_Y_RTK
Q2101	72794566	TAAA1504SY	TRANSISTOR,SILICON	KTA1504S_Y_RTK
Q2251	72784102	0001L00070	PHOTO DIODE	HPI6FGR4F2
Q2252	72794571	TCAA3875SY	TRANSISTOR,SILICON	KTC3875S_Y_RTK
Q2275	72794571	TCAA3875SY	TRANSISTOR,SILICON	KTC3875S_Y_RTK
Q2276	72795965	T67J048TL0	TRANSISTOR,SILICON	2SA2048TL
Q2277	72794566	TAAA1504SY	TRANSISTOR,SILICON	KTA1504S_Y_RTK
Q2401	72783825	T2AA5132E0	FET	KTK5132E-RTK/P
Q2403	72783825	T2AA5132E0	FET	KTK5132E-RTK/P
Q2404	72783825	T2AA5132E0	FET	KTK5132E-RTK/P
Q2406	72783825	T2AA5132E0	FET	KTK5132E-RTK/P
Q2407	72783825	T2AA5132E0	FET	KTK5132E-RTK/P
Q3205	72798319	T77J011320	TRANSISTOR,SILICON	2SB1132T100(Q,R)
Q3206	72795962	TNAAB05003	COMPOUND TRANSISTOR	KRC102SRTK
Q3210	72794571	TCAA3875SY	TRANSISTOR,SILICON	KTC3875S_Y_RTK
Q3211	72794571	TCAA3875SY	TRANSISTOR,SILICON	KTC3875S_Y_RTK
Q3403	72794571	TCAA3875SY	TRANSISTOR,SILICON	KTC3875S_Y_RTK
Q3404	72794567	TNAAC05002	COMPOUND TRANSISTOR	KRC103SRTK
△Q3405	72783827	TJYASP8K30	FET	SP8K3 TB
Q3406	72794567	TNAAC05002	COMPOUND TRANSISTOR	KRC103SRTK
Q3407	72798366	TPAAA05001	COMPOUND TRANSISTOR	KRA101SRTK

ELECTRICAL REPLACEMENT PARTS LIST

Location No.	TSB P/N	Reference No.	Description	
TRANSISTORS				
Q3603	72783825	T2AA5132E0	FET	KTK5132E-RTK/P
Q3604	72783825	T2AA5132E0	FET	KTK5132E-RTK/P
Q3605	72783825	T2AA5132E0	FET	KTK5132E-RTK/P
Q3606	72783825	T2AA5132E0	FET	KTK5132E-RTK/P
Q3607	72783825	T2AA5132E0	FET	KTK5132E-RTK/P
Q3613	72794571	TCAA3875SY	TRANSISTOR,SILICON	KTC3875S_Y_RTK
Q3614	72794571	TCAA3875SY	TRANSISTOR,SILICON	KTC3875S_Y_RTK
Q3615	72783825	T2AA5132E0	FET	KTK5132E-RTK/P
Q3616	72783825	T2AA5132E0	FET	KTK5132E-RTK/P
Q3617	72783825	T2AA5132E0	FET	KTK5132E-RTK/P
Q3618	72783825	T2AA5132E0	FET	KTK5132E-RTK/P
Q3619	72794571	TCAA3875SY	TRANSISTOR,SILICON	KTC3875S_Y_RTK
Q3620	72783825	T2AA5132E0	FET	KTK5132E-RTK/P
Q3621	72794571	TCAA3875SY	TRANSISTOR,SILICON	KTC3875S_Y_RTK
Q3801	72794572	TPYJC05001	COMPOUND TRANSISTOR	DTA124EKAT146
Q3802	72795962	TNAAB05003	COMPOUND TRANSISTOR	KRC102SRTK
Q3804	72794572	TPYJC05001	COMPOUND TRANSISTOR	DTA124EKAT146
Q3805	72795962	TNAAB05003	COMPOUND TRANSISTOR	KRC102SRTK
Q3806	72794571	TCAA3875SY	TRANSISTOR,SILICON	KTC3875S_Y_RTK
Q3807	72795964	T67J1036K0	TRANSISTOR,SILICON	2SA1036KT146
Q3808	72781787	T0300J6500	FET	2SJ650
Q4200	72794566	TAAA1504SY	TRANSISTOR,SILICON	KTA1504S_Y_RTK
Q4201	72794566	TAAA1504SY	TRANSISTOR,SILICON	KTA1504S_Y_RTK
Q4202	72794571	TCAA3875SY	TRANSISTOR,SILICON	KTC3875S_Y_RTK
Q4203	72794571	TCAA3875SY	TRANSISTOR,SILICON	KTC3875S_Y_RTK
Q4205	72794571	TCAA3875SY	TRANSISTOR,SILICON	KTC3875S_Y_RTK
Q4206	72794571	TCAA3875SY	TRANSISTOR,SILICON	KTC3875S_Y_RTK
Q4207	72794571	TCAA3875SY	TRANSISTOR,SILICON	KTC3875S_Y_RTK
Q4208	72783825	T2AA5132E0	FET	KTK5132E-RTK/P
Q4209	72794571	TCAA3875SY	TRANSISTOR,SILICON	KTC3875S_Y_RTK
Q4210	72783825	T2AA5132E0	FET	KTK5132E-RTK/P
Q4211	72794566	TAAA1504SY	TRANSISTOR,SILICON	KTA1504S_Y_RTK
Q4231	72798367	TPAAC05002	COMPOUND TRANSISTOR	KRA103SRTK
Q4233	72795962	TNAAB05003	COMPOUND TRANSISTOR	KRC102SRTK
Q4302	72794571	TCAA3875SY	TRANSISTOR,SILICON	KTC3875S_Y_RTK
Q4305	72794571	TCAA3875SY	TRANSISTOR,SILICON	KTC3875S_Y_RTK
Q4401	72794566	TAAA1504SY	TRANSISTOR,SILICON	KTA1504S_Y_RTK
Q4402	72798367	TPAAC05002	COMPOUND TRANSISTOR	KRA103SRTK
Q4403	72795962	TNAAB05003	COMPOUND TRANSISTOR	KRC102SRTK
Q4409	72794566	TAAA1504SY	TRANSISTOR,SILICON	KTA1504S_Y_RTK
Q4410	72794566	TAAA1504SY	TRANSISTOR,SILICON	KTA1504S_Y_RTK
Q5801	72781807	TPRAA05002	COMPOUND TRANSISTOR	RT1P431C-T112-1
Q5802	72796429	TNRAC05003	COMPOUND TRANSISTOR	RT1N241C-T112-1
Q5803	72783390	T82A03841Q	TRANSISTOR,SILICON	2SC3841-T1B_T63
Q5804	72783390	T82A03841Q	TRANSISTOR,SILICON	2SC3841-T1B_T63
Q5805	72783390	T82A03841Q	TRANSISTOR,SILICON	2SC3841-T1B_T63
Q8101	72794566	TAAA1504SY	TRANSISTOR,SILICON	KTA1504S_Y_RTK
Q8102	72794571	TCAA3875SY	TRANSISTOR,SILICON	KTC3875S_Y_RTK
Q8103	72794571	TCAA3875SY	TRANSISTOR,SILICON	KTC3875S_Y_RTK
Q8105	72794566	TAAA1504SY	TRANSISTOR,SILICON	KTA1504S_Y_RTK
Q8106	72794566	TAAA1504SY	TRANSISTOR,SILICON	KTA1504S_Y_RTK
COILS & TRANSFORMERS				
L300	72798924	021W0G100M	COIL	10 UH
L301	72798924	021W0G100M	COIL	10 UH
L302	72798924	021W0G100M	COIL	10 UH
L303	72798924	021W0G100M	COIL	10 UH
L901	72795062	02167F100J	COIL	10 UH
L903	72795062	02167F100J	COIL	10 UH
L904	72795062	02167F100J	COIL	10 UH
L2101	72798914	0216S8220K	COIL	F 22 UH
L2102	72798914	0216S8220K	COIL	F 22 UH
L2103	72798916	0216S8470K	COIL	F 47 UH
L2106	72798912	0216S8150K	COIL	F 15 UH
L2107	72798914	0216S8220K	COIL	F 22 UH
L2275	72796089	02167F470J	COIL	47 UH
L2401	72798917	0216SD1R0J	COIL	1 UH
L2402	72796575	021LA62R2M	COIL	2.2 UH
L2411	72783384	0216SDR47J	COIL	0.47 UH
L2412	72783384	0216SDR47J	COIL	0.47 UH
L2413	72783384	0216SDR47J	COIL	0.47 UH
L2414	72783384	0216SDR47J	COIL	0.47 UH
L3401	72783801	0211M44R7M	COIL	4.7 UH
L3601	72798955	02D6000068	COIL,CHOKE	ACM2012D-900-2P-T00
L3602	72798955	02D6000068	COIL,CHOKE	ACM2012D-900-2P-T00
L3603	72798955	02D6000068	COIL,CHOKE	ACM2012D-900-2P-T00

ELECTRICAL REPLACEMENT PARTS LIST

Location No.	TSB P/N	Reference No.	Description	
COILS & TRANSFORMERS				
L3604	72798955	02D6000068	COIL,CHOKE	ACM2012D-900-2P-T00
L3605	72798955	02D6000068	COIL,CHOKE	ACM2012D-900-2P-T00
L3606	72798955	02D6000068	COIL,CHOKE	ACM2012D-900-2P-T00
L3607	72798955	02D6000068	COIL,CHOKE	ACM2012D-900-2P-T00
L3608	72798955	02D6000068	COIL,CHOKE	ACM2012D-900-2P-T00
L3623	72784092	0216SD220J	COIL	22 UH
L3801	72796513	02167E220K	COIL	R7 22 UH
L3802	72796087	02167E100K	COIL	R6-1 10 UH
L3803	72796513	02167E220K	COIL	R7 22 UH
L3804	72796513	02167E220K	COIL	R7 22 UH
L3805	72798897	0214646R8M	COIL	6.8 UH
L3808	72798924	021W0G100M	COIL	10 UH
L3809	72798897	0214646R8M	COIL	6.8 UH
L3810	72796087	02167E100K	COIL	R6-1 10 UH
L3811	72796513	02167E220K	COIL	R7 22 UH
L4200	72796402	021LA6220K	COIL	22 UH
L4201	72794540	02167F101J	COIL	100 UH
L4202	72796089	02167F470J	COIL	47 UH
L4203	72796089	02167F470J	COIL	47 UH
L4204	72794536	021LA6330J	COIL	33 UH
L4206	72796089	02167F470J	COIL	47 UH
L4207	72796089	02167F470J	COIL	47 UH
L4211	72794540	02167F101J	COIL	100 UH
L4212	72796571	021LA6220J	COIL	22 UH
L4213	72796571	021LA6220J	COIL	22 UH
L4214	72796571	021LA6220J	COIL	22 UH
L4215	72796571	021LA6220J	COIL	22 UH
L4216	72796571	021LA6220J	COIL	22 UH
L4217	72796571	021LA6220J	COIL	22 UH
L4218	72796571	021LA6220J	COIL	22 UH
L4219	72796571	021LA6220J	COIL	22 UH
L4220	72796571	021LA6220J	COIL	22 UH
L4221	72796571	021LA6220J	COIL	22 UH
L4227	72796402	021LA6220K	COIL	22 UH
L4301	72798916	0216S8470K	COIL	F 47 UH
L4306	72798914	0216S8220K	COIL	F 22 UH
L4402	72796089	02167F470J	COIL	47 UH
L4403	72795062	02167F100J	COIL	10 UH
L5802	72794526	02167F220J	COIL	22 UH
L5804	72796571	021LA6220J	COIL	22 UH
L7201	72798916	0216S8470K	COIL	F 47 UH
L7202	72798916	0216S8470K	COIL	F 47 UH
L7203	72798916	0216S8470K	COIL	F 47 UH
L7502	72798916	0216S8470K	COIL	F 47 UH
L8102	72798916	0216S8470K	COIL	F 47 UH
L8104	72798916	0216S8470K	COIL	F 47 UH
L8105	72798914	0216S8220K	COIL	F 22 UH
JACKS				
J2275	72796730	060J121014	JACK,RCA,3.5	MSJ-035-12A_PC
J3601	72784085	060J131019	HEADPHONE JACK	MSJ-2000B_AG(O87)
J4201	72784086	060K411049	RCA JACK	AV3-13P2-11S1
J4202	72784087	060K401126	RCA JACK	AVG-2-13
J4204	72784088	060Q471008	RCA JACK	YKC21-4613N
J4205	72784089	063E000082	JACK PLATE	SAV-12CP-01Z5
J4206	72783793	063E700012	JACK	S4-25SZ
J4207	72783794	060K421056	RCA JACK	AV-5A-66H
J4208	72783795	060K421058	RCA JACK	AV-5A-68H
J4209	72783796	060K421057	RCA JACK	AV-5A-67H
J4211	72784090	060Q441004	RCA JACK	YKC21-4720N
J4301	72784091	060J431025	RCA JACK	MSD-242VA1-03_NI_FE_LF
SWITCHES				
SW2201	72794688	0504101T34	SWITCH,TACT	EVQ21505R
SW2202	72794688	0504101T34	SWITCH,TACT	EVQ21505R
SW2203	72794688	0504101T34	SWITCH,TACT	EVQ21505R
SW2204	72794688	0504101T34	SWITCH,TACT	EVQ21505R
SW2205	72794688	0504101T34	SWITCH,TACT	EVQ21505R
SW2206	72794688	0504101T34	SWITCH,TACT	EVQ21505R
P.C.BOARD ASSEMBLIES				
PCB270	72784095	A3X801C270	OPERATION PCB ASS'Y	CEE133A
PCBD00	72784096	A3X801CD00	FILTER PCB PCB ASS'Y	CEE131A
PCBD20	72784097	A3X801CD20	AV PCB ASS'Y	CMF083A
PCBD90	72784098	A3X801CD90	SIDE JACK PCB ASS'Y	CEF210A
PCBDA0	72784099	A3X801CDA0	REMOCON PCB ASS'Y	CEF179A
PCBDH0	72784100	A3X801CDH0	DIGITAL PCB ASS'Y	CEF169A
PCBDS0	72784101	A3X801CDS0	SCALER PCB ASS'Y	CEF156A

ELECTRICAL REPLACEMENT PARTS LIST

Location No.	TSB P/N	Reference No.	Description	
MISCELLANEOUS				
B801	72798930	024AC5181J	CORE,BEADS	BLM18PG181SN1D
B802	72798930	024AC5181J	CORE,BEADS	BLM18PG181SN1D
B803	72798931	024AC5600E	CORE,BEADS	BLM18BB600SN1D
B804	72798931	024AC5600E	CORE,BEADS	BLM18BB600SN1D
B805	72798930	024AC5181J	CORE,BEADS	BLM18PG181SN1D
B806	72798931	024AC5600E	CORE,BEADS	BLM18BB600SN1D
B901	72798931	024AC5600E	CORE,BEADS	BLM18BB600SN1D
B902	72798931	024AC5600E	CORE,BEADS	BLM18BB600SN1D
B903	72798931	024AC5600E	CORE,BEADS	BLM18BB600SN1D
B904	72798929	024AC5102F	CORE,BEADS	BLM18BD102SN1D
B905	72798929	024AC5102F	CORE,BEADS	BLM18BD102SN1D
B906	72798929	024AC5102F	CORE,BEADS	BLM18BD102SN1D
B2101	72798931	024AC5600E	CORE,BEADS	BLM18BB600SN1D
B2271	72798931	024AC5600E	CORE,BEADS	BLM18BB600SN1D
B2401	72783737	024AC5151E	CORE,BEADS	BLM18BD151SN1D
B2402	72783737	024AC5151E	CORE,BEADS	BLM18BD151SN1D
B2403	72783737	024AC5151E	CORE,BEADS	BLM18BD151SN1D
B2404	72783737	024AC5151E	CORE,BEADS	BLM18BD151SN1D
B2405	72783737	024AC5151E	CORE,BEADS	BLM18BD151SN1D
B2406	72783737	024AC5151E	CORE,BEADS	BLM18BD151SN1D
B2407	72783736	024AC1601G	CORE,BEADS	BLM31PG601SN1L
B2408	72783736	024AC1601G	CORE,BEADS	BLM31PG601SN1L
B2409	72783736	024AC1601G	CORE,BEADS	BLM31PG601SN1L
B2410	72783737	024AC5151E	CORE,BEADS	BLM18BD151SN1D
B2411	72783737	024AC5151E	CORE,BEADS	BLM18BD151SN1D
B2412	72783737	024AC5151E	CORE,BEADS	BLM18BD151SN1D
B2413	72798929	024AC5102F	CORE,BEADS	BLM18BD102SN1D
B2414	72798929	024AC5102F	CORE,BEADS	BLM18BD102SN1D
B2415	72798929	024AC5102F	CORE,BEADS	BLM18BD102SN1D
B2416	72783737	024AC5151E	CORE,BEADS	BLM18BD151SN1D
B2417	72783737	024AC5151E	CORE,BEADS	BLM18BD151SN1D
B2418	72783737	024AC5151E	CORE,BEADS	BLM18BD151SN1D
B2419	72783737	024AC5151E	CORE,BEADS	BLM18BD151SN1D
B2420	72783737	024AC5151E	CORE,BEADS	BLM18BD151SN1D
B2421	72798929	024AC5102F	CORE,BEADS	BLM18BD102SN1D
B2422	72798929	024AC5102F	CORE,BEADS	BLM18BD102SN1D
B2423	72798929	024AC5102F	CORE,BEADS	BLM18BD102SN1D
B2424	72798929	024AC5102F	CORE,BEADS	BLM18BD102SN1D
B2425	72798929	024AC5102F	CORE,BEADS	BLM18BD102SN1D
B2426	72798929	024AC5102F	CORE,BEADS	BLM18BD102SN1D
B2427	72798929	024AC5102F	CORE,BEADS	BLM18BD102SN1D
B3201	72798930	024AC5181J	CORE,BEADS	BLM18PG181SN1D
B3202	72798930	024AC5181J	CORE,BEADS	BLM18PG181SN1D
B3203	72798930	024AC5181J	CORE,BEADS	BLM18PG181SN1D
B3205	72798930	024AC5181J	CORE,BEADS	BLM18PG181SN1D
B3206	72798930	024AC5181J	CORE,BEADS	BLM18PG181SN1D
B3207	72798930	024AC5181J	CORE,BEADS	BLM18PG181SN1D
B3401	72783734	024AC5330J	CORE,BEADS	BLM18PG330SN1D
B3402	72783735	024AC1391G	CORE,BEADS	BLM31PG391SN1L
B3406	72783736	024AC1601G	CORE,BEADS	BLM31PG601SN1L
B3407	72783736	024AC1601G	CORE,BEADS	BLM31PG601SN1L
B3408	72783736	024AC1601G	CORE,BEADS	BLM31PG601SN1L
B3410	72783737	024AC5151E	CORE,BEADS	BLM18BD151SN1D
B3601	72796605	024HC36001	CORE,BEADS	HCB2012K-600T25
B3602	72796605	024HC36001	CORE,BEADS	HCB2012K-600T25
B3603	72796605	024HC36001	CORE,BEADS	HCB2012K-600T25
B3604	72796605	024HC36001	CORE,BEADS	HCB2012K-600T25
B3605	72798931	024AC5600E	CORE,BEADS	BLM18BB600SN1D
B3606	72798929	024AC5102F	CORE,BEADS	BLM18BD102SN1D
B3612	72798929	024AC5102F	CORE,BEADS	BLM18BD102SN1D
B3613	72796605	024HC36001	CORE,BEADS	HCB2012K-600T25
B3621	72795787	0246C51024	CORE,BEADS	MMZ1608R102CT
B3622	72795787	0246C51024	CORE,BEADS	MMZ1608R102CT
B4202	72798931	024AC5600E	CORE,BEADS	BLM18BB600SN1D
B4204	72798931	024AC5600E	CORE,BEADS	BLM18BB600SN1D
B4205	72798931	024AC5600E	CORE,BEADS	BLM18BB600SN1D
B4208	72798931	024AC5600E	CORE,BEADS	BLM18BB600SN1D
B4209	72798931	024AC5600E	CORE,BEADS	BLM18BB600SN1D
B4210	72798931	024AC5600E	CORE,BEADS	BLM18BB600SN1D
B4211	72798931	024AC5600E	CORE,BEADS	BLM18BB600SN1D
B4214	72798931	024AC5600E	CORE,BEADS	BLM18BB600SN1D
B4215	72798931	024AC5600E	CORE,BEADS	BLM18BB600SN1D
B4216	72798931	024AC5600E	CORE,BEADS	BLM18BB600SN1D
B4217	72798931	024AC5600E	CORE,BEADS	BLM18BB600SN1D

ELECTRICAL REPLACEMENT PARTS LIST

Location No.	TSB P/N	Reference No.	Description	
MISCELLANEOUS				
B4218	72798931	024AC5600E	CORE,BEADS	BLM18BB600SN1D
B4219	72798931	024AC5600E	CORE,BEADS	BLM18BB600SN1D
B4220	72798931	024AC5600E	CORE,BEADS	BLM18BB600SN1D
B4221	72798931	024AC5600E	CORE,BEADS	BLM18BB600SN1D
B4222	72798931	024AC5600E	CORE,BEADS	BLM18BB600SN1D
B4225	72798931	024AC5600E	CORE,BEADS	BLM18BB600SN1D
B4303	72798931	024AC5600E	CORE,BEADS	BLM18BB600SN1D
B4304	72798931	024AC5600E	CORE,BEADS	BLM18BB600SN1D
B4305	72798931	024AC5600E	CORE,BEADS	BLM18BB600SN1D
B4307	72795787	0246C51024	CORE,BEADS	MMZ1608R102CT
B4308	72795787	0246C51024	CORE,BEADS	MMZ1608R102CT
B4461	72795787	0246C51024	CORE,BEADS	MMZ1608R102CT
B5801	72798930	024AC5181J	CORE,BEADS	BLM18PG181SN1D
B5802	72798930	024AC5181J	CORE,BEADS	BLM18PG181SN1D
B5803	72798930	024AC5181J	CORE,BEADS	BLM18PG181SN1D
B5805	72798930	024AC5181J	CORE,BEADS	BLM18PG181SN1D
B7202	72798931	024AC5600E	CORE,BEADS	BLM18BB600SN1D
B7501	72798931	024AC5600E	CORE,BEADS	BLM18BB600SN1D
B7502	72798930	024AC5181J	CORE,BEADS	BLM18PG181SN1D
BT001	72783174	141U004016	BATTERY,MANGAN	MNAAA(R03)
BT002	72783174	141U004016	BATTERY,MANGAN	MNAAA(R03)
CD301	72784048	06CU13A301	CORD,CONNECTOR	CU13A301
CD303	72784049	06CU12A601	CORD,CONNECTOR	CU12A601
CD801	72784062	06CH011208	CORD,CONNECTOR	CH011208
CD802	72784062	06CH011208	CORD,CONNECTOR	CH011208
CD803	72784164	122Q312102	CORD,JUMPER	TD-OR0210Z
CD804	72784158	06CH010903	CORD,CONNECTOR	CH010903
CD805	72784158	06CH010903	CORD,CONNECTOR	CH010903
CD862	72784158	06CH010903	CORD,CONNECTOR	CH010903
CD901	72784063	06CU247001	CORD,CONNECTOR	CU247001
CP101	72796798	069S250629	CONNECTOR PCB SIDE	A2001WV2-5P
CP102	72796806	069S2A0629	CONNECTOR PCB SIDE	A2001WV2-10P
CP103	72796801	069S270629	CONNECTOR PCB SIDE	A2001WV2-7P
CP301	72784066	069S130419	CONNECTOR PCB SIDE	A2502WV2-3P
CP303	72796792	069S120419	CONNECTOR PCB SIDE	A2502WV2-2P
CP802	72799028	069EVU3030	CONNECTOR PCB SIDE	00_6232_030_006_800+
CP803	72799027	069EVT3030	CONNECTOR PCB SIDE	00_6232_029_006_800+
CP901	72796796	069S240629	CONNECTOR PCB SIDE	A2001WV2-4P
CD2203	72784047	06CU23A001	CORD,CONNECTOR	CU23A001
CD3801	72784050	06CU643701	CORD,CONNECTOR	CU643701
CD3802	72784051	06CU622201	CORD,CONNECTOR	CU622201
CD3803	72784052	06CU6C2901	CORD,CONNECTOR	CU6C2901
CD3804	72784053	06CU672301	CORD,CONNECTOR	CU672301
CD3807	72784054	06CU2B3901	CORD,CONNECTOR	CU2B3901
△CD3820	72784055	120D024502	CORD,AC	4L0J-050-00K
CD3831	72784056	06CU012202	CORD,CONNECTOR	CU012202
CD3900	72784057	06CUU21001	CORD,CONNECTOR	CUU21001
CD3901	72784058	06CUU33002	CORD,CONNECTOR	CUU33002
CD4200	72784059	06CU28A005	CORD,CONNECTOR	CU28A005
CD4202	72784060	06CU267901	CORD,CONNECTOR	CU267901
CD4203	72799271	122H0T0801	CORD,JUMPER	2H0T0801
CD4204	72799273	122H0U0802	CORD,JUMPER	2H0U0802
CD7206	72784061	06CUZV6301	CORD,CONNECTOR	CUZV6301
CP2200	72796794	069S230629	CONNECTOR PCB SIDE	A2001WV2-3P
CP2203	72796795	069S230639	CONNECTOR PCB SIDE	A2001WR2-3P
CP2251	72799047	069S260639	CONNECTOR PCB SIDE	A2001WR2-6P
CP2403	72784064	06972KT059	CONNECTOR PCB SIDE	125607220W3
CP2404	72784064	06972KT059	CONNECTOR PCB SIDE	125607220W3
CP2405	72784065	069AAA1009	CONNECTOR PCB SIDE	YKF45-0036N
CP3201	72796807	069S2B0629	CONNECTOR PCB SIDE	A2001WV2-11P
CP3601	72799030	069HYJ3010	CONNECTOR PCB SIDE	DC1R019JDA
CP3602	72796796	069S240629	CONNECTOR PCB SIDE	A2001WV2-4P
CP3603	72799030	069HYJ3010	CONNECTOR PCB SIDE	DC1R019JDA
CP3604	72796804	069S290629	CONNECTOR PCB SIDE	A2001WV2-9P
CP3801	72784067	069S140019	CONNECTOR PCB SIDE	A2501WV2-4P
CP3802	72784068	069S120019	CONNECTOR PCB SIDE	A2501WV2-2P
CP3803	72784069	069S1C0019	CONNECTOR PCB SIDE	A2501WV2-12P
CP3804	72784070	069S170019	CONNECTOR PCB SIDE	A2501WV2-7P
CP3807	72796807	069S2B0629	CONNECTOR PCB SIDE	A2001WV2-11P
△CP3900	72796817	069S320419	CONNECTOR PCB SIDE	A3963WV2-3PD
△CP3901	72796817	069S320419	CONNECTOR PCB SIDE	A3963WV2-3PD
CP4200	72796803	069S280629	CONNECTOR PCB SIDE	A2001WV2-8P
CP4201	72796803	069S280629	CONNECTOR PCB SIDE	A2001WV2-8P
CP4202	72796800	069S260629	CONNECTOR PCB SIDE	A2001WV2-6P
CP4203	72799027	069EVT3030	CONNECTOR PCB SIDE	00_6232_029_006_800+

ELECTRICAL REPLACEMENT PARTS LIST

Location No.	TSB P/N	Reference No.	Description	
MISCELLANEOUS				
CP4204	72799028	069EVU3030	CONNECTOR PCB SIDE	00_6232_030_006_800+
CP4302	72799010	0694S15017	CONNECTOR PCB SIDE	1-1734344-1
CP5801	72784071	06972KM020	CONNECTOR PCB SIDE	TKC-W20P-U1
CP5802	72784071	06972KM020	CONNECTOR PCB SIDE	TKC-W20P-U1
CP7202	72784072	069HTR001A	CONNECTOR PCB SIDE	FI-TWE31PB-VF
CUSD21	72798759	800WFAA006	CUSHION A	
ELD001	72797069	124116281A	EYE LET	XRY16X28BD
ELD002	72797070	124120301A	EYE LET	XRY20X30BD
△F3900	72784075	081PC08005	FUSE	51MS080L
FH3900	72794496	06710T0009	HOLDER,FUSE	EYF-52BCY
FH3901	72794496	06710T0009	HOLDER,FUSE	EYF-52BCY
NR801	72799237	110P4000M4	R,NETWORK	4D03WGJ0000T5E
NR802	72799240	110P4470M4	R,NETWORK	4D03WGJ0470T5E
NR803	72799240	110P4470M4	R,NETWORK	4D03WGJ0470T5E
NR804	72799240	110P4470M4	R,NETWORK	4D03WGJ0470T5E
NR805	72799240	110P4470M4	R,NETWORK	4D03WGJ0470T5E
NR806	72799240	110P4470M4	R,NETWORK	4D03WGJ0470T5E
NR807	72799240	110P4470M4	R,NETWORK	4D03WGJ0470T5E
NR2101	72797034	110P4101M4	R,NETWORK	4D03WGJ0101T5E
NR2102	72797034	110P4101M4	R,NETWORK	4D03WGJ0101T5E
NR2103	72797034	110P4101M4	R,NETWORK	4D03WGJ0101T5E
NR2104	72797034	110P4101M4	R,NETWORK	4D03WGJ0101T5E
NR2105	72797034	110P4101M4	R,NETWORK	4D03WGJ0101T5E
NR2106	72797034	110P4101M4	R,NETWORK	4D03WGJ0101T5E
NR2401	72783802	110P4102M5	R,NETWORK	4D02WGJ0102TCE
NR2402	72783385	110P4220M6	R,NETWORK	4D02WGJ0220TCE
NR2403	72783385	110P4220M6	R,NETWORK	4D02WGJ0220TCE
NR2404	72783385	110P4220M6	R,NETWORK	4D02WGJ0220TCE
NR2405	72783385	110P4220M6	R,NETWORK	4D02WGJ0220TCE
NR2406	72783803	110P4560M5	R,NETWORK	4D02WGJ0560TCE
NR2407	72783803	110P4560M5	R,NETWORK	4D02WGJ0560TCE
NR2408	72783803	110P4560M5	R,NETWORK	4D02WGJ0560TCE
NR2409	72783803	110P4560M5	R,NETWORK	4D02WGJ0560TCE
NR2410	72783803	110P4560M5	R,NETWORK	4D02WGJ0560TCE
NR2411	72783803	110P4560M5	R,NETWORK	4D02WGJ0560TCE
NR2412	72783803	110P4560M5	R,NETWORK	4D02WGJ0560TCE
NR2413	72783803	110P4560M5	R,NETWORK	4D02WGJ0560TCE
NR3601	72799237	110P4000M4	R,NETWORK	4D03WGJ0000T5E
NR3602	72799237	110P4000M4	R,NETWORK	4D03WGJ0000T5E
NR3603	72799237	110P4000M4	R,NETWORK	4D03WGJ0000T5E
NR3604	72799237	110P4000M4	R,NETWORK	4D03WGJ0000T5E
NR3605	72799237	110P4000M4	R,NETWORK	4D03WGJ0000T5E
NR3606	72799237	110P4000M4	R,NETWORK	4D03WGJ0000T5E
NR7203	72799238	110P4220M4	R,NETWORK	4D03WGJ0220T5E
NR7204	72799238	110P4220M4	R,NETWORK	4D03WGJ0220T5E
NR7501	72799240	110P4470M4	R,NETWORK	4D03WGJ0470T5E
NR7502	72799240	110P4470M4	R,NETWORK	4D03WGJ0470T5E
NR7503	72799240	110P4470M4	R,NETWORK	4D03WGJ0470T5E
NR7504	72799240	110P4470M4	R,NETWORK	4D03WGJ0470T5E
NR7505	72799240	110P4470M4	R,NETWORK	4D03WGJ0470T5E
NR7506	72799240	110P4470M4	R,NETWORK	4D03WGJ0470T5E
OS2251	72784093	077A033001	REMOTE RECEIVER	ROM-V338TAO
OS4202	72784094	07AE000012	OPTICAL DEVICE	TOTX177(F,T)
PH3900	72796825	069W01001A	CONNECTOR PCB SIDE	003P-2100
PH3901	72796825	069W01001A	CONNECTOR PCB SIDE	003P-2100
△SP301	72784103	0701016002	SPEAKER	EAS12D175B
△SP302	72784103	0701016002	SPEAKER	EAS12D175B
△SP303	72784104	0701026001	SPEAKER	EAS5PH134C
△SP304	72784104	0701026001	SPEAKER	EAS5PH134C
TM101	72781948	076D0KK020	TRANSMITTER	ORT204UA605025-J
TR301	72796088	02AHB9A972	CORE,FERRITE	W5T29X7.5X19
TR302	72796088	02AHB9A972	CORE,FERRITE	W5T29X7.5X19
TR3805	72784106	02A6B3A3T1	CORE,FERRITE	ZCAT2436-1330A
TR3806	72784106	02A6B3A3T1	CORE,FERRITE	ZCAT2436-1330A
TR3820	72784105	02A6A990S2	CORE,FERRITE	ZCAT2035-0930A-BK
TR4201	72796088	02AHB9A972	CORE,FERRITE	W5T29X7.5X19
TR4202	72796088	02AHB9A972	CORE,FERRITE	W5T29X7.5X19
TR4204	72796088	02AHB9A972	CORE,FERRITE	W5T29X7.5X19
TR4205	72784107	02A6C0A3Y1	CORE,FERRITE	ZCAT3035-1330
TR4206	72784106	02A6B3A3T1	CORE,FERRITE	ZCAT2436-1330A
TR6501	72784107	02A6C0A3Y1	CORE,FERRITE	ZCAT3035-1330
TR6502	72796088	02AHB9A972	CORE,FERRITE	W5T29X7.5X19
△TU5801	72783832	0164100007	DIGITAL TUNER	ENG36A53FK
△V801	72784108	09HD205001	PDP	PDP50X3####
V802	72784109	09JE250001	PDP FILTER	FG510NAA-05

ELECTRICAL REPLACEMENT PARTS LIST

Location No.	TSB P/N	Reference No.	Description	
MISCELLANEOUS				
X101	72799226	100WT01611	CRYSTAL	HC-49/U-S
X801	72799227	100YT05401	CRYSTAL	FCX-03
X901	72797001	100CT01803	CRYSTAL	HC-49/U-S
X24p1	72783833	100DT05501	CRYSTAL	SMD-49
X2402	72783834	100DT02503	CRYSTAL	SMD-49
X3601	72799220	100CT01101	CRYSTAL	HC-49/U-S
X3602	72783835	100DT02801	CRYSTAL	SMD-49
X7501	72784110	100DT02006	CRYSTAL	DSO751SV

RESISTOR

RC..... CARBON RESISTOR

CAPACITORS

CC..... CERAMIC CAPACITOR
 CE..... ALUMI ELECTROLYTIC CAPACITOR
 CP..... POLYESTER CAPACITOR
 CPP..... POLYPROPYLENE CAPACITOR
 CPL..... PLASTIC CAPACITOR
 CMP..... METAL POLYESTER CAPACITOR
 CMPL..... METAL PLASTIC CAPACITOR
 CMPP..... METAL POLYPROPYLENE CAPACITOR