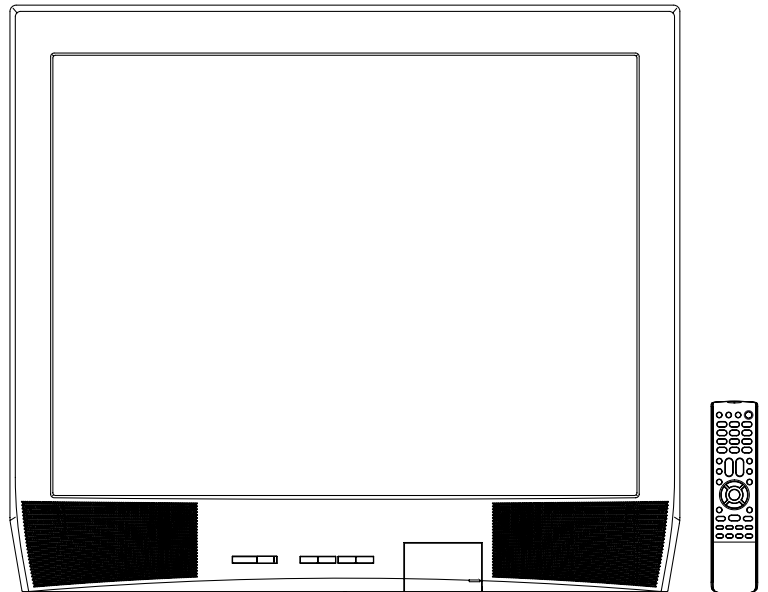


TOSHIBA

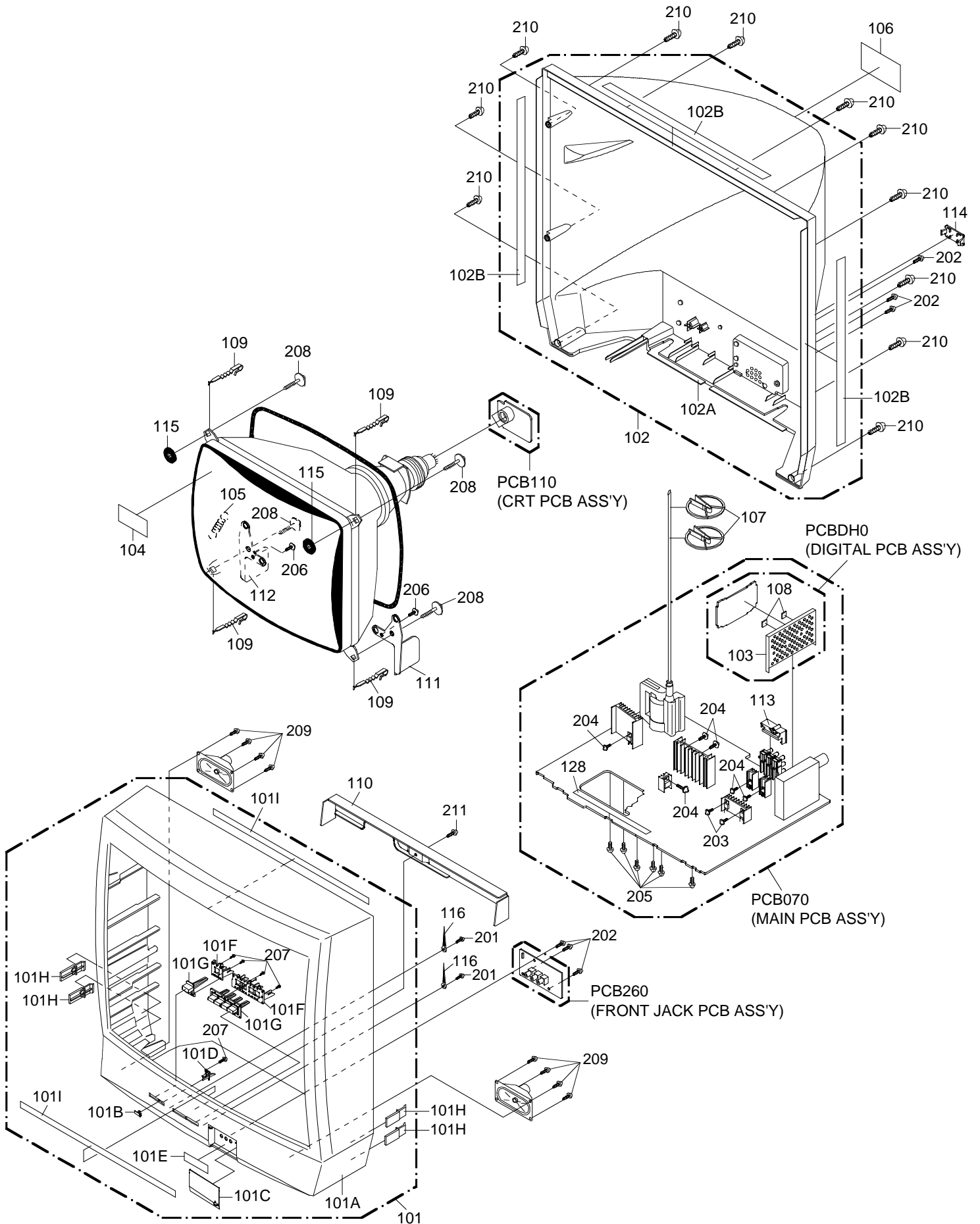
PARTS LIST AND EXPLODED VIEW

COLOR TELEVISION

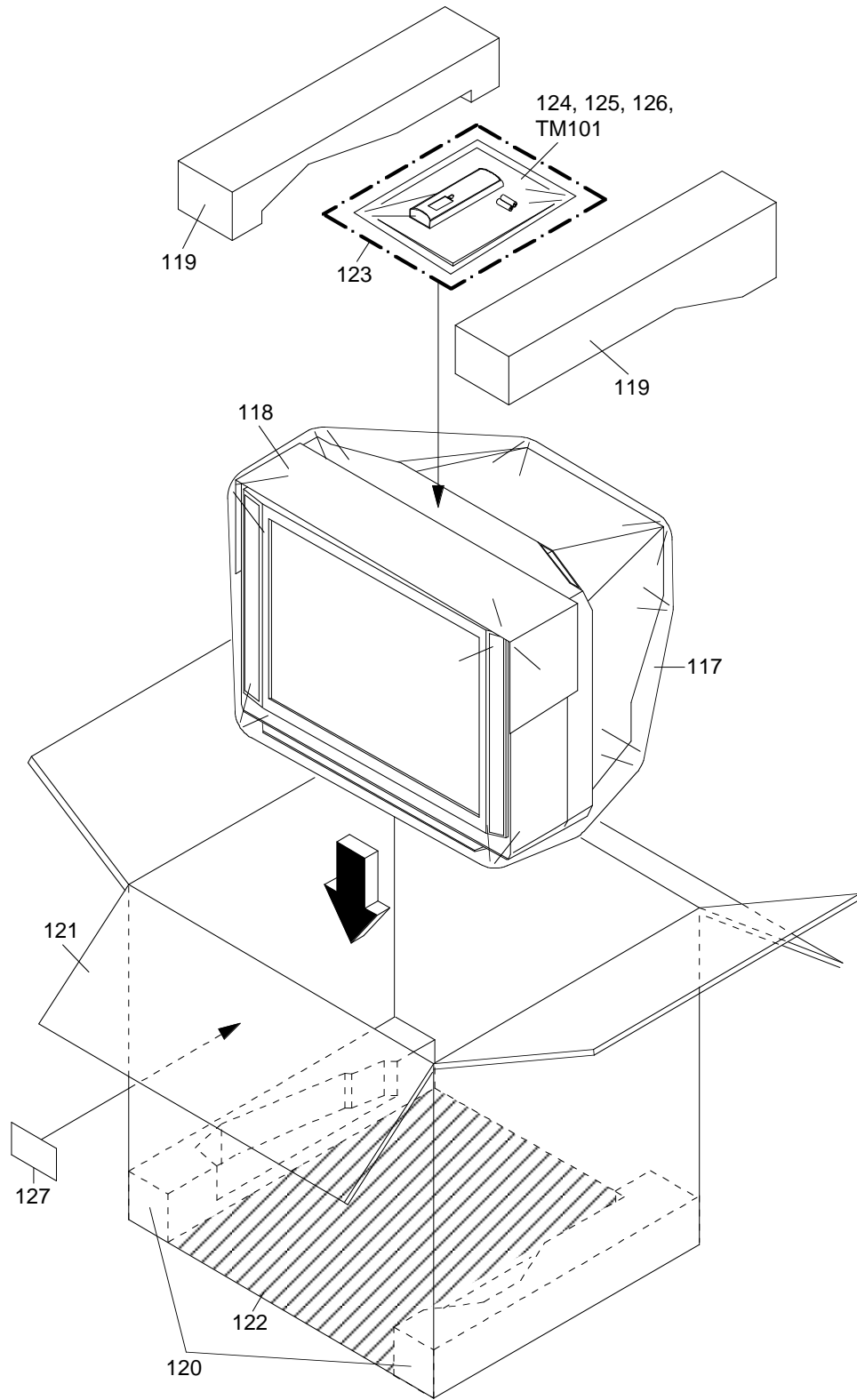
32D46



MECHANICAL EXPLODED VIEW



MECHANICAL EXPLODED VIEW (PACKING DIAGRAM)



MECHANICAL REPLACEMENT PARTS LIST

Location No.	TSB P/N	Reference No.	Description
101	72783580	7A7010190A	FRONT CABI ASS'Y
101A	72783560	701WPJ1412	CABINET,FRONT
101B	72798490	711WPA0191	PLATE,FRONT
101C	72798497	712WPBA085	DOOR
101D	72798519	713WPA0288	GLASS,LED
101E	72783551	7230008094	AV,LABEL
101F	72798590	735WPA0769	STOPPER,BUTTON
101G	72798603	735WPBA985	BUTTON,FRAME
101H	72798487	709WPA0024	CABINET,HOLDER
101I	72794722	800WQ0A070	FELT SHEET
102	72783553	7A702A205A	BACK,CABI ASS'Y
102A	72783556	702WPAA958	CABINET BACK
102B	72781222	800WQ0A092	FELT SHEET
103	72783857	7G7520037A	SHIELD,BOTTOM ASS'Y
104	72783609	723000D301	POP LABEL
105	72795687	741WUA0021	SPRING EARTH
106	72783619	7225490229	SHEET,RATING
107	72794734	899HV3T000	HOLDER ANODE WIRE
108	72783345	800WR00079	SHEET,SILICONE
109	72783298	762WPAA006	HOLDER CRT WIRE 2
110	72799871	752WSAA081	ANGLE,FRONT
111	75002700	752WSAA128	ANGLE CRT (R)
112	75002701	752WSAA129	ANGLE CRT (L)
113	72783347	761WPA0424	HOLDER,JACK
114	72783348	706WPA0015	COVER,CONNECTOR
115	72798781	800WROA002	SHEET CRT SUPPORT
116	72795680	8995034000	CORD CLIP UL CO.
117	72795053	791WHAA118	FILM,BAG
118	72782518	791WHAA139	LIGHTRON SHEET
119	72783595	792WHA0643	PACKAGE,TOP
120	72783593	792WHA0644	PACKAGE,BOTTOM
121	72783583	793WCD1730	GIFT BOX
122	72783596	795WCDA024	PAD
123	72783586	A3W4022975	INSTRUCTION BOOK KIT
124	72781628	JA4ND200	POLYBAG INSTRUCTION(REDCAUTION)
125	72781569	J3N51617A	REGISTRATION CARD
126	72783589	J3W40221B	INSTRUCTION BOOK
127	72783616	7230008093	SHEET,BARCODE
128	72795623	800WQ0A068	FELT SHEET
201	72798790	811063080U	SCREW TAP TITE(P) BRAZIER 3*8 CH
202	72798791	8110630A0U	SCREW TAP TITE(P) BRAZIER 3*10 CH
203	72798786	810763080U	SCREW TAP TITE(S) BRAZIER 3*8 CH
204	72798789	8109I30A0U	SCREW TAP TITE(B) WH7 3*10 CH
205	72781251	810963080Q	SCREW TAP TITE(B) BRAZIER 3*8 STAINLESS
206	72798787	810923080U	SCREW TAP TITE(B) BIND 3*8 CH
207	72781272	8110630A2U	SCREW TAP TITE(P) BRAZIER 3*12 CH
208	72781286	8141H60D5U	SCREW,TAP TITE(P) GW20 6*45 CH HEXAGON
209	72781271	8110330A2U	SCREW,TAP TITE(P) FLAT 3*12 CH
210	72798795	8117540B0U	SCREW TAP TITE(B0) TRUSS 4*20 CH
211	72781268	8110230B5U	SCREW,TAP TITE(P) BIND 3*25 CH

ELECTRICAL REPLACEMENT PARTS LIST

Location No.	TSB P/N	Reference No.	Description	
RESISTORS				
△R002	72794621	R3X28B010J	R,METAL OXIDE	1 OHM 3W
△R004	72794621	R3X28B010J	R,METAL OXIDE	1 OHM 3W
△R007	72794621	R3X28B010J	R,METAL OXIDE	1 OHM 3W
△R408	72794614	R65582010J	R,FUSE	1 OHM 1/2W
△R410	72795508	R3X18A151J	R,METAL OXIDE	150 OHM 2W
△R411	72783611	R6558AR33J	R,FUSE	0.33 OHM 2W
△R415	72794673	R803R9222J	RC	2.2K OHM 1/16W
△R416	72794674	R002T2100J	RC	10 OHM 1/2W
△R419	72795993	R3X1811R2J	R,METAL OXIDE	1.2 OHM 1W
△R421	72783612	R3X28B820J	R,METAL OXIDE	82 OHM 3W
△R426	72795997	R4X5T6272F	R,METAL	2.7K OHM 1/6W
△R434	72783393	R5X2CF100J	R,CEMENT	10J 10 OHM 10W
△R436	72781717	R4K1T4183F	R,METAL	2 18K OHM 1/4W
△R438	72797923	R3X28B2R7J	R,METAL OXIDE	2.7 OHM 3W
△R439	72796031	R3K181102J	R,METAL OXIDE	1K OHM 1W
△R441	72783394	R4K1T4153F	R,METAL	2 15K OHM 1/4W
△R452	72796046	R3X18A101J	R,METAL OXIDE	100 OHM 2W
△R459	72795518	R655822R2J	R,FUSE	2.2 OHM 1/2W
△R500	72794631	R0G3K2275K	RC	2.7M OHM 1/2W
△R501	72795523	R5X2AE010J	R,CEMENT	1R0J 1 OHM 7W
△R502	72781694	R3K58A331J	R,METAL OXIDE	330 OHM 2W
△R506	72794616	R002T4682J	RC	6.8K OHM 1/4W
△R520	72795500	R002T2155J	RC	1.5M OHM 1/2W
△R522	72783395	R65582330J	R,FUSE	33 OHM 1/2W
△R527	72794624	R3X18AR68J	R,METAL OXIDE	0.68 OHM 2W
△R531	72794640	R3X28B5R6J	R,METAL OXIDE	5.6 OHM 3W
△R542	72796436	R3X181R18J	R,METAL OXIDE	0.18 OHM 1W
△R603	72797884	R3X18A560J	R,METAL OXIDE	56 OHM 2W
△R650	72783396	R3X28B8R2J	R,METAL OXIDE	8.2 OHM 3W
△R651	72783396	R3X28B8R2J	R,METAL OXIDE	8.2 OHM 3W
△R803	72796459	R3X18A153J	R,METAL OXIDE	15K OHM 2W
△R805	72796459	R3X18A153J	R,METAL OXIDE	15K OHM 2W
△R807	72796459	R3X18A153J	R,METAL OXIDE	15K OHM 2W
CAPACITORS				
C005	72797374	E02LF1222M	CE	2200 UF 10V
C045	72783567	C0J0B04H2K	CC	220 PF 50V B
C047	72783567	C0J0B04H2K	CC	220 PF 50V B
△C408	72794381	E5EZF3222M	CE	2200 UF 25V
△C412	72797717	P4N8FK102H	CMPP	C 0.001 UF 1.5KV
C413	72797426	E0ELF4102M	CE	1000 UF 35V
C418	72795104	P4J7F3474J	CMPP	0.47 UF 250V PMS
△C420	72797720	P4N8FK153H	CMPP	C 0.015 UF 1.5KV
△C421	72797680	P3N1F5273J	CPP	0.027 UF 630V
C425	72794393	C03L0R713K	CC	0.001 UF 2KV R
△C426	72794394	E5EZF2220M	CE	22 UF 250V
△C430	72794396	E02LU8220M	CE	22 UF 100V
△C432	72797508	E62DFB470M	CE	47 UF 160V
C434	72797092	C0J0B0513K	CC	0.001 UF 500V B
C442	72794397	E736F56R8M	CE	6.8 UF 50V
△C501	72797477	E5EZF2222M	CE	2200 UF 16V
△C502	72794393	C03L0R713K	CC	0.001 UF 2KV R
△C503	72794393	C03L0R713K	CC	0.001 UF 2KV R
△C504	72794379	E02LU5220M	CE	22 UF 50V
△C505	72794401	P2122B334M	CMP	0.33 UF 275V ECQUL
△C506	72795566	P2122B224M	CMP	0.22 UF 275V ECQUL
△C507	72794402	E51DFC821M	CE	820 UF 200V
△C508	72796318	CC3LE0MH3M	CC	0.0022UF 250V
△C513	72796319	CC3LE0M13M	CC	0.001 UF 250V
△C514	72781398	E61FT2681D	CE	680 UF 16V
△C517	72797086	C03L0R7K3K	CC	0.0027UF 2KV R
△C519	72796319	CC3LE0M13M	CC	0.001 UF 250V
△C521	72794411	E62NFC221M	CE	220 UF 200V
△C527	72796330	E02LF2222M	CE	2200 UF 16V
C528	72783361	E61F90222D	CE	2200 UF 6.3V
C535	72794393	C03L0R713K	CC	0.001 UF 2KV R
C542	72797360	E02L00102M	CE	1000 UF 6.3V
C802	72795578	C0JBB0713K	CC	0.001 UF 2KV B
C1011	72796330	E02LF2222M	CE	2200 UF 16V
C1527	72783566	C0JTB04B2K	CC	120 PF 50V B
DIODES				
D003	72795626	D2WXN40050	DIODE,SILICON	1N4005-EIC
D103	72783213	D9WU03R92B	DIODE,ZENER	MTZJ3.9B-EIC
D104	72794491	D1VT001330	DIODE,SILICON	1SS133T-77
D105	72783213	D9WU03R92B	DIODE,ZENER	MTZJ3.9B-EIC
D106	72783214	D9WU05R62B	DIODE,ZENER	MTZJ5.6B-EIC

ELECTRICAL REPLACEMENT PARTS LIST

Location No.	TSB P/N	Reference No.	Description	
			DIODES	
D109	72795529	0021721150	LED	SLR-342VCT32
D110	72795627	D2WXSBB1400	DIODE,SCHOTTKY	SB140-EIC
D111	72795627	D2WXSBB1400	DIODE,SCHOTTKY	SB140-EIC
D112	72783214	D9WU05R62B	DIODE,ZENER	MTZJ5.6B-EIC
D113	72783214	D9WU05R62B	DIODE,ZENER	MTZJ5.6B-EIC
D114	72783214	D9WU05R62B	DIODE,ZENER	MTZJ5.6B-EIC
D401	72783209	D2MXN40020	DIODE,FAST RECOVERY	1N4002-PAN
D402	72783209	D2MXN40020	DIODE,FAST RECOVERY	1N4002-PAN
D403	72781366	D9WU03302B	DIODE,ZENER	MTZJ33B-EIC
D404	72781368	D9WU05R12B	DIODE,ZENER	MTZJ5.1B-EIC
△D405	72794472	D2WTAU02A0	DIODE,SILICON	AU02A-EIC
△D406	72781367	D9WU03R32B	DIODE,ZENER	MTZJ3.3B-EIC
△D407	72794472	D2WTAU02A0	DIODE,SILICON	AU02A-EIC
△D408	72794470	D2CF0715L0	DIODE,SILICON	ERD07-15L50
△D409	72794475	D2CF2016L0	DIODE,SILICON	FE201-6L49
D410	72781366	D9WU03302B	DIODE,ZENER	MTZJ33B-EIC
△D411	72794472	D2WTAU02A0	DIODE,SILICON	AU02A-EIC
△D412	72795626	D2WXN40050	DIODE,SILICON	1N4005-EIC
D414	72783209	D2MXN40020	DIODE,FAST RECOVERY	1N4002-PAN
D415	72783209	D2MXN40020	DIODE,FAST RECOVERY	1N4002-PAN
D416	72794488	D2WT011E10	DIODE,SILICON	11E1-EIC
D417	72794491	D1VT001330	DIODE,SILICON	1SS133T-77
△D501	72794473	D2WTRM11C0	DIODE,SILICON	RM11C-EIC
△D502	72794473	D2WTRM11C0	DIODE,SILICON	RM11C-EIC
△D503	72794473	D2WTRM11C0	DIODE,SILICON	RM11C-EIC
△D504	72794473	D2WTRM11C0	DIODE,SILICON	RM11C-EIC
△D505	72794480	D28T21DQN9	DIODE,SCHOTTKY	21DQ09N-TA2B1
△D506	72795543	D2MXN49370	DIODE,FAST RECOVERY	1N4937-PAN
D507	72794491	D1VT001330	DIODE,SILICON	1SS133T-77
D508	72783213	D9WU03R92B	DIODE,ZENER	MTZJ3.9B-EIC
D509	72783366	D9WU01502B	DIODE,ZENER	MTZJ15B-EIC
△D510	72794475	D2CF2016L0	DIODE,SILICON	FE201-6L49
△D511	72795543	D2MXN49370	DIODE,FAST RECOVERY	1N4937-PAN
△D512	72794480	D28T21DQN9	DIODE,SCHOTTKY	21DQ09N-TA2B1
D513	72794491	D1VT001330	DIODE,SILICON	1SS133T-77
D514	72794491	D1VT001330	DIODE,SILICON	1SS133T-77
D515	72794491	D1VT001330	DIODE,SILICON	1SS133T-77
D516	72794491	D1VT001330	DIODE,SILICON	1SS133T-77
D517	72795543	D2MXN49370	DIODE,FAST RECOVERY	1N4937-PAN
D519	72794491	D1VT001330	DIODE,SILICON	1SS133T-77
D520	72794491	D1VT001330	DIODE,SILICON	1SS133T-77
D521	72781367	D9WU03R32B	DIODE,ZENER	MTZJ3.3B-EIC
△D522	72794484	DOU002720M	DIODE,VARISTA	DSS-272M-S00B
△D523	72783211	D9WU01802B	DIODE,ZENER	MTZJ18B-EIC
D524	72794491	D1VT001330	DIODE,SILICON	1SS133T-77
D525	72783214	D9WU05R62B	DIODE,ZENER	MTZJ5.6B-EIC
△D526	72795544	D6E027110A	DIODE,VARISTA	ENE271D-10A
△D527	72797313	D6CE24110A	DIODE,VARISTA	ENE241D-10A-Q6
D528	72783214	D9WU05R62B	DIODE,ZENER	MTZJ5.6B-EIC
D529	72794480	D28T21DQN9	DIODE,SCHOTTKY	21DQ09N-TA2B1
D530	72783210	D9WU01002B	DIODE,ZENER	MTZJ10B-EIC
D531	72781366	D9WU03302B	DIODE,ZENER	MTZJ33B-EIC
D532	72783210	D9WU01002B	DIODE,ZENER	MTZJ10B-EIC
D533	72794491	D1VT001330	DIODE,SILICON	1SS133T-77
△D534	72781353	D27A85T400	DIODE,SCHOTTKY	RB085T-40
D535	72783367	D9WU04R72B	DIODE,ZENER	MTZJ4.7B-EIC
D537	72783212	D9WU02R22B	DIODE,ZENER	MTZJ2.2B-EIC
△D538	72783368	D28F21DQN9	DIODE,SCHOTTKY	21DQ09N-FC4
D539	72794491	D1VT001330	DIODE,SILICON	1SS133T-77
D604	72783214	D9WU05R62B	DIODE,ZENER	MTZJ5.6B-EIC
D611	72794491	D1VT001330	DIODE,SILICON	1SS133T-77
D612	72794491	D1VT001330	DIODE,SILICON	1SS133T-77
D801	72794491	D1VT001330	DIODE,SILICON	1SS133T-77
D802	72794491	D1VT001330	DIODE,SILICON	1SS133T-77
D803	72794491	D1VT001330	DIODE,SILICON	1SS133T-77
D810	72794491	D1VT001330	DIODE,SILICON	1SS133T-77
D811	72794491	D1VT001330	DIODE,SILICON	1SS133T-77
D812	72794491	D1VT001330	DIODE,SILICON	1SS133T-77
			ICS	
IC001	72783369	I55J07W660	IC	TC7W66FU(TE12L,F)
△IC002	72781440	I07F0C0WF0	IC	BA00BC0WFP-E2
△IC003	72781440	I07F0C0WF0	IC	BA00BC0WFP-E2
△IC004	72783370	I0GA9VK020	IC	PQ070VK02FZH
△IC005	72783370	I0GA9VK020	IC	PQ070VK02FZH
IC101	72783371	I56F07144A	IC	OEC7144A

ELECTRICAL REPLACEMENT PARTS LIST

Location No.	TSB P/N	Reference No.	Description ICS	
IC102	72795101	I9UF032290	IC	PST3229NR
IC199	75002703	S3W502HE01	MEMORY DATA	AT24C128N-10SU-1.8
IC301	72783378	I5AFF11730	IC	NJW1173V(TE1)
△IC401	72783379	I03SD78470	IC	LA7847-E
△IC504	72794512	000220002W	PHOTO COUPLER	PS2561AL1-1-V(W)
IC601	72783380	I03FC6327A	IC	LA76327M-A-MPB-E
IC701	72783381	I0QF027500	IC	NJM2750M(TE1)
△IC1001	72795536	I0FSP7822A	IC	AN17822A
IC1501	72797544	I03FE76605	IC	LA76605M-TLM-E
IC2401	72783373	ICQK039640	IC	ZR39640BGC-G-B1
IC2402	72783374	IFYK002200	IC	CAS-220/CS
IC2404	72783375	ICLJ022DT5	IC	HY5DU561622DTP-D43
IC2408	72783376	ICMJ0F1687	IC	SST39VF1681-70-4C-EKE
IC2501	72783377	11FF043450	IC	CS4345-CZZ
IC2502	72797569	I0QF0580V0	IC	NJM4580V(TE1)
TRANSISTORS				
Q002	72795962	TNAAB05003	COMPOUND TRANSISTOR	KRC102SRTK
Q003	72798324	TAAT012714	TRANSISTOR,SILICON	KTA1271_Y-AT
Q004	72794567	TNAAC05002	COMPOUND TRANSISTOR	KRC103SRTK
Q005	72783390	T82A03841Q	TRANSISTOR,SILICON	2SC3841-T1B_T63
Q006	72783390	T82A03841Q	TRANSISTOR,SILICON	2SC3841-T1B_T63
Q007	72783390	T82A03841Q	TRANSISTOR,SILICON	2SC3841-T1B_T63
Q009	72795963	TPAAB05001	COMPOUND TRANSISTOR	KRA102SRTK
Q010	72794567	TNAAC05002	COMPOUND TRANSISTOR	KRC103SRTK
Q101	72795481	T6RA015300	TRANSISTOR,SILICON	2SA1530A-T1
Q102	72795481	T6RA015300	TRANSISTOR,SILICON	2SA1530A-T1
Q103	72795479	T8RA030520	TRANSISTOR,SILICON	2SC3052-T1
Q104	72794570	TCAT03209Y	TRANSISTOR,SILICON	KTC3209_Y-AT
Q105	72796429	TNRAC05003	COMPOUND TRANSISTOR	RT1N241C-T112-1
Q106	72795481	T6RA015300	TRANSISTOR,SILICON	2SA1530A-T1
Q107	72795481	T6RA015300	TRANSISTOR,SILICON	2SA1530A-T1
△Q402	72794561	TCAT03227Y	TRANSISTOR,SILICON	KTC3227_Y-AT
△Q405	72794562	TD50026380	TRANSISTOR,SILICON	2SD2638(OEC)
△Q501	72795476	TCAT032034	TRANSISTOR,SILICON	KTC3203_Y-AT
△Q502	72783392	TJXG10NK50	FET	STF10NK50Z
△Q503	72795475	TA3T1371A0	TRANSISTOR,SILICON	2SA1371(D,E)-AE
Q504	72794577	TCATC31980	TRANSISTOR,SILICON	KTC3198-AT(Y,GR)
△Q505	72795474	TC3T029090	TRANSISTOR,SILICON	2SC2909(S,T)-AA
Q506	72781803	TNRAD05002	COMPOUND TRANSISTOR	RT1N441C-T112-1
△Q507	72794577	TCATC31980	TRANSISTOR,SILICON	KTC3198-AT(Y,GR)
△Q508	72798324	TAAT012714	TRANSISTOR,SILICON	KTA1271_Y-AT
Q509	72794577	TCATC31980	TRANSISTOR,SILICON	KTC3198-AT(Y,GR)
Q510	72781803	TNRAD05002	COMPOUND TRANSISTOR	RT1N441C-T112-1
Q511	72795481	T6RA015300	TRANSISTOR,SILICON	2SA1530A-T1
△Q512	72794569	TA3T016240	TRANSISTOR,SILICON	2SA1624-AA
Q513	72795479	T8RA030520	TRANSISTOR,SILICON	2SC3052-T1
△Q514	72795476	TCAT032034	TRANSISTOR,SILICON	KTC3203_Y-AT
Q601	72796427	TNRAB05004	COMPOUND TRANSISTOR	RT1N141C-T112-1
Q602	72794570	TCAT03209Y	TRANSISTOR,SILICON	KTC3209_Y-AT
Q603	72794578	TAATA12660	TRANSISTOR,SILICON	KTA1266-AT(Y,GR)
Q605	72796425	TPRAB05002	COMPOUND TRANSISTOR	RT1P141C-T112-1
Q606	72794570	TCAT03209Y	TRANSISTOR,SILICON	KTC3209_Y-AT
Q607	72794570	TCAT03209Y	TRANSISTOR,SILICON	KTC3209_Y-AT
Q608	72794570	TCAT03209Y	TRANSISTOR,SILICON	KTC3209_Y-AT
Q609	72794570	TCAT03209Y	TRANSISTOR,SILICON	KTC3209_Y-AT
Q610	72795479	T8RA030520	TRANSISTOR,SILICON	2SC3052-T1
△Q611	72794570	TCAT03209Y	TRANSISTOR,SILICON	KTC3209_Y-AT
Q612	72795479	T8RA030520	TRANSISTOR,SILICON	2SC3052-T1
Q701	72795479	T8RA030520	TRANSISTOR,SILICON	2SC3052-T1
△Q801	72794573	TCATC3199Y	TRANSISTOR,SILICON	KTC3199_Y-AT
△Q802	72794573	TCATC3199Y	TRANSISTOR,SILICON	KTC3199_Y-AT
△Q803	72794573	TCATC3199Y	TRANSISTOR,SILICON	KTC3199_Y-AT
△Q804	72794574	TCA0042170	TRANSISTOR,SILICON	KTC4217(O,Y)
△Q805	72794574	TCA0042170	TRANSISTOR,SILICON	KTC4217(O,Y)
△Q806	72794574	TCA0042170	TRANSISTOR,SILICON	KTC4217(O,Y)
Q1001	72795479	T8RA030520	TRANSISTOR,SILICON	2SC3052-T1
Q1503	72795479	T8RA030520	TRANSISTOR,SILICON	2SC3052-T1
Q1507	72795479	T8RA030520	TRANSISTOR,SILICON	2SC3052-T1
Q1508	72795479	T8RA030520	TRANSISTOR,SILICON	2SC3052-T1
Q2401	72783391	TCAA040754	TRANSISTOR,SILICON	KTC4075E-Y-RTK/P
Q2402	72783391	TCAA040754	TRANSISTOR,SILICON	KTC4075E-Y-RTK/P
COILS & TRANSFORMERS				
L001	72794526	02167F220J	COIL	22 UH
L003	72794540	02167F101J	COIL	100 UH
L004	72794526	02167F220J	COIL	22 UH

ELECTRICAL REPLACEMENT PARTS LIST

Location No.	TSB P/N	Reference No.	Description	
COILS & TRANSFORMERS				
L301	72794526	02167F220J	COIL	22 UH
L402	72796596	022100031A	COIL,LINEARITY	ELH5L7120N
▲L403	72794529	02DK000058	COIL,CHOKE	02DK000058
▲L501	72796639	029X000098	COIL,LINE FILTER	SS28H-20075
L502	72796513	02167E220K	COIL	R7 22 UH
▲L503	72796624	028R320005	COIL,DEGAUSS	8R320005
L601	72794540	02167F101J	COIL	100 UH
L602	72796407	02167D101K	COIL	100 UH
L801	72794539	02167D151K	COIL	150 UH
L1505	72795932	02167F150J	COIL	15 UH
L1510	72795932	02167F150J	COIL	15 UH
L1511	72795932	02167F150J	COIL	15 UH
L1512	72796571	021LA6220J	COIL	22 UH
L2402	72783383	021AS9224J	COIL	0.22 UH
L2404	72783384	0216SDR47J	COIL	0.47 UH
L2405	72783384	0216SDR47J	COIL	0.47 UH
T401	72794690	0450190171	TRANS.HORIZONTAL DRIVE	ETH19Y206AY
▲T501	72783397	0481400794	TRANSFORMER,SWITCHING	81400794
JACKS				
J701	72794518	060J431020	RCA JACK	MSP-213V2-432_NI_LF
J702	72799005	063D700010	JACK	MDC-012V1-A_LF
J703	72783382	060J411045	RCA JACK	MSP-382V-12_NI_FE_LF
J704	72795493	060J411032	RCA JACK	MSP-213V1-652_NI_LF
J708	72798996	060J431022	RCA JACK	MSP-213V2-732_NI_LF
J751	72799001	060Q421048	RCA JACK	AV1-06ADS-2
J752	72798999	060Q401109	RCA JACK	AV1-06AD-4
J753	72798998	060Q401108	RCA JACK	AV1-06AD-3
▲J801	72794523	066F130021	SOCKET,CATHODE RAY,TUBE	ISHS62S
SWITCHES				
SW101	72794688	0504101T34	SWITCH,TACT	EVQ21505R
SW102	72794688	0504101T34	SWITCH,TACT	EVQ21505R
SW103	72794688	0504101T34	SWITCH,TACT	EVQ21505R
SW104	72794688	0504101T34	SWITCH,TACT	EVQ21505R
SW105	72794688	0504101T34	SWITCH,TACT	EVQ21505R
VARIABLE RESISTORS				
VR401	72795471	V1K63H3BTE	VOLUME,SEMI FIXED	NVG6TLTAB222
VR502	72794701	V1163H4BTC	VOLUME,SEMI FIXED	EVNVCYAA03BE4
P.C.BOARD ASSEMBLIES				
PCB070	72783607	A3W502H070	TV MT PCB ASS'Y	CME077A
PCB110	72783599	A3W502H110	CRT PCB ASS'Y	CCE070A
PCB260	72783601	A3W502H260	FRONT JACK PCB ASS'Y	CED038B
PCBDH0	72783604	A3W502HDH0	DIGITAL PCB ASS'Y	CEE139B
MISCELLANEOUS				
B001	72783356	024HC51023	CORE,BEADS	FCM1608KF-102T02
B101	72794357	024HT03553	CORE,BEADS	W5RH3.5X5X1.0
B102	72794357	024HT03553	CORE,BEADS	W5RH3.5X5X1.0
B401	72794356	024HT03564	CORE,BEADS	W4BRH3.5X6X1.0
B402	72794356	024HT03564	CORE,BEADS	W4BRH3.5X6X1.0
B405	72794356	024HT03564	CORE,BEADS	W4BRH3.5X6X1.0
▲B501	72794355	024HT03563	CORE,BEADS	W4BRH3.5X6X1.0X2
B502	72794357	024HT03553	CORE,BEADS	W5RH3.5X5X1.0
▲B504	72794357	024HT03553	CORE,BEADS	W5RH3.5X5X1.0
B701	72783359	024HC56005	CORE,BEADS	FCM1608CF-600T06
B702	72783359	024HC56005	CORE,BEADS	FCM1608CF-600T06
B1501	72783356	024HC51023	CORE,BEADS	FCM1608KF-102T02
B1502	72783356	024HC51023	CORE,BEADS	FCM1608KF-102T02
B2402	72783357	024HC51513	CORE,BEADS	FCM1608KF-151T06
B2403	72783357	024HC51513	CORE,BEADS	FCM1608KF-151T06
B2404	72783357	024HC51513	CORE,BEADS	FCM1608KF-151T06
B2405	72783357	024HC51513	CORE,BEADS	FCM1608KF-151T06
B2406	72783356	024HC51023	CORE,BEADS	FCM1608KF-102T02
B2407	72783357	024HC51513	CORE,BEADS	FCM1608KF-151T06
B2408	72783357	024HC51513	CORE,BEADS	FCM1608KF-151T06
B2409	72783357	024HC51513	CORE,BEADS	FCM1608KF-151T06
B2410	72783357	024HC51513	CORE,BEADS	FCM1608KF-151T06
B2411	72783356	024HC51023	CORE,BEADS	FCM1608KF-102T02
B2412	72783356	024HC51023	CORE,BEADS	FCM1608KF-102T02
B2413	72783356	024HC51023	CORE,BEADS	FCM1608KF-102T02
B2414	72783356	024HC51023	CORE,BEADS	FCM1608KF-102T02
B2415	72783356	024HC51023	CORE,BEADS	FCM1608KF-102T02
B2416	72783356	024HC51023	CORE,BEADS	FCM1608KF-102T02
B2417	72783356	024HC51023	CORE,BEADS	FCM1608KF-102T02
B2418	72783356	024HC51023	CORE,BEADS	FCM1608KF-102T02
B2419	72783357	024HC51513	CORE,BEADS	FCM1608KF-151T06
B2420	72783356	024HC51023	CORE,BEADS	FCM1608KF-102T02

ELECTRICAL REPLACEMENT PARTS LIST

Location No.	TSB P/N	Reference No.	Description	
MISCELLANEOUS				
B2421	72783357	024HC51513	CORE,BEADS	FCM1608KF-151T06
B2423	72783356	024HC51023	CORE,BEADS	FCM1608KF-102T02
B2501	72783356	024HC51023	CORE,BEADS	FCM1608KF-102T02
B3402	72783358	024HC16014	CORE,BEADS	HCB3216KF-601T20
B3403	72783357	024HC51513	CORE,BEADS	FCM1608KF-151T06
B3404	72783358	024HC16014	CORE,BEADS	HCB3216KF-601T20
B3405	72783358	024HC16014	CORE,BEADS	HCB3216KF-601T20
BT001	72783174	141U004016	BATTERY,MANGAN	MNAAA(R03)
BT002	72783174	141U004016	BATTERY,MANGAN	MNAAA(R03)
△CD501	72799246	1209415909	CORD,AC BUSH	9415909
CD701	72783572	06CH242001	CORD,CONNECTOR	CH242001
CD801	72798402	WCL6848038	FLAT CABLE AWM2468 A	WG26 5C GRAY 480MM
CD802	72798425	WEL6858038	FLAT CABLE AWM2468 A	WG26 7C GRAY 580MM
CD803	72794460	06CH823004	CORD,CONNECTOR	CH823004
CD804	72796843	06CH01010A	CORD,CONNECTOR	CH01010A
CP101	72783364	069S280639	CONNECTOR PCB SIDE	A2001WR2-8P
CP102	72796801	069S270629	CONNECTOR PCB SIDE	A2001WV2-7P
△CP401	72782003	069X460109	CONNECTOR PCB SIDE	B06B-DVS-L_(LF)
△CP502	72796821	069S420110	CONNECTOR PCB SIDE	A1561WV2-2P
CP507	72796768	069D01001A	CONNECTOR PCB SIDE	003P-2100
CP508	72796768	069D01001A	CONNECTOR PCB SIDE	003P-2100
CP509	72796768	069D01001A	CONNECTOR PCB SIDE	003P-2100
CP701	72796796	069S240629	CONNECTOR PCB SIDE	A2001WV2-4P
CP803	72796816	069S320010	CONNECTOR PCB SIDE	A2361WV2-2P
CP804	72796768	069D01001A	CONNECTOR PCB SIDE	003P-2100
CP806	72796767	069D010010	CONNECTOR PCB SIDE	005P-2100
CD1001	72783571	06CH146202	CORD,CONNECTOR	CH146202
CD1002	75002699	06CH01428A	CORD,EIS CONNECTOR	CH01428A
CD1003	75002699	06CH01428A	CORD,EIS CONNECTOR	CH01428A
CP1001	72796793	069S140419	CONNECTOR PCB SIDE	A2502WV2-4P
CP2403	72799043	069R2Y0700	CONNECTOR PCB SIDE	87760-3416
CP801A	72796751	067U005049	WIRE HOLDER	B2013H02-5P
CP801B	72796751	067U005049	WIRE HOLDER	B2013H02-5P
CP802A	72796753	067U007029	WIRE HOLDER	B2013H02-7P
CP802B	72796753	067U007029	WIRE HOLDER	B2013H02-7P
EL0701	72797069	124116281A	EYE LET	XRY16X28BD
EL0702	72797070	124120301A	EYE LET	XRY20X30BD
△F501	72794493	081PC6R305	FUSE	51MS063L
△F502	72796952	0835A07005	MICRO FUSE	20N_7000FSW
△FB401	72796675	043232008F	TRANSFORMER,FLYBACK	FSU32A001_M
FH501	72794496	06710T0009	HOLDER,FUSE	EYF-52BCY
FH502	72794496	06710T0009	HOLDER,FUSE	EYF-52BCY
NR2402	72783385	110P4220M6	R.NETWORK	4D02WGJ0220TCE
NR2403	72783385	110P4220M6	R.NETWORK	4D02WGJ0220TCE
NR2404	72783385	110P4220M6	R.NETWORK	4D02WGJ0220TCE
NR2405	72783385	110P4220M6	R.NETWORK	4D02WGJ0220TCE
NR2406	72783385	110P4220M6	R.NETWORK	4D02WGJ0220TCE
NR2407	72783385	110P4220M6	R.NETWORK	4D02WGJ0220TCE
NR2408	72783385	110P4220M6	R.NETWORK	4D02WGJ0220TCE
NR2409	72783385	110P4220M6	R.NETWORK	4D02WGJ0220TCE
NR2410	72783385	110P4220M6	R.NETWORK	4D02WGJ0220TCE
NR2411	72783385	110P4220M6	R.NETWORK	4D02WGJ0220TCE
OS101	72794541	0773071001	REMOTE RECEIVER	RPM7138-WH5
△RY501	72794686	0560X20118	RELAY	G5PA-1-SA(WEC)
SP1001	72799166	070N546012	SPEAKER	YDP4010-2
SP1002	72799166	070N546012	SPEAKER	YDP4010-2
△TH501	72795546	DF5EL3R0A0	DEGAUSS ELEMENT	ZPB45BL3R0A
TM101	72799186	076D0KK010	TRANSMITTER	ORT204N7404359-U
△TU001	72783398	0164100005	DIGITAL TUNER	ENG36A49KF
△V801	72782958	0981320605	CRT W/DY	M80L NK085X90Y1J
X103	72799226	100WT01611	CRYSTAL	HC-49/U-S
X601	72794704	100DT3R531	CRYSTAL	HC-49/U
X2401	72783399	100GA02402	CRYSTAL	B24576K010
X2402	72783400	100GA02502	CRYSTAL	B25000H006

RESISTOR

RC..... CARBON RESISTOR

CAPACITORS

CC..... CERAMIC CAPACITOR
 CE..... ALUMI ELECTROLYTIC CAPACITOR
 CP..... POLYESTER CAPACITOR
 CPP..... POLYPROPYLENE CAPACITOR
 CPL..... PLASTIC CAPACITOR
 CMP..... METAL POLYESTER CAPACITOR
 CMPL..... METAL PLASTIC CAPACITOR
 CMPP..... METAL POLYPROPYLENE CAPACITOR